



Your Enclosure Source[®]



Distribuidor Autorizado - Mexico

Tel. 01(921)1634-977



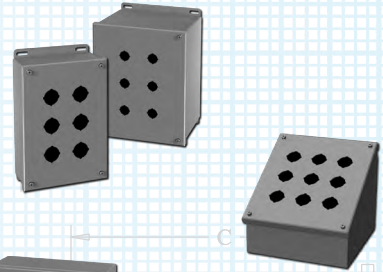
14TH
EDITION

info@siicomsa.com

Your Enclosure Source[®]

Wall-Mount Enclosures

Pushbutton Enclosures & Hinged Pushbutton Enclosures 46 – 59



Sloping Front Pushbutton Enclosures 60 – 63

Enviroline® Series Junction Enclosures 64 – 69

Enviroline® Series Trough Junction Enclosures 70 – 73

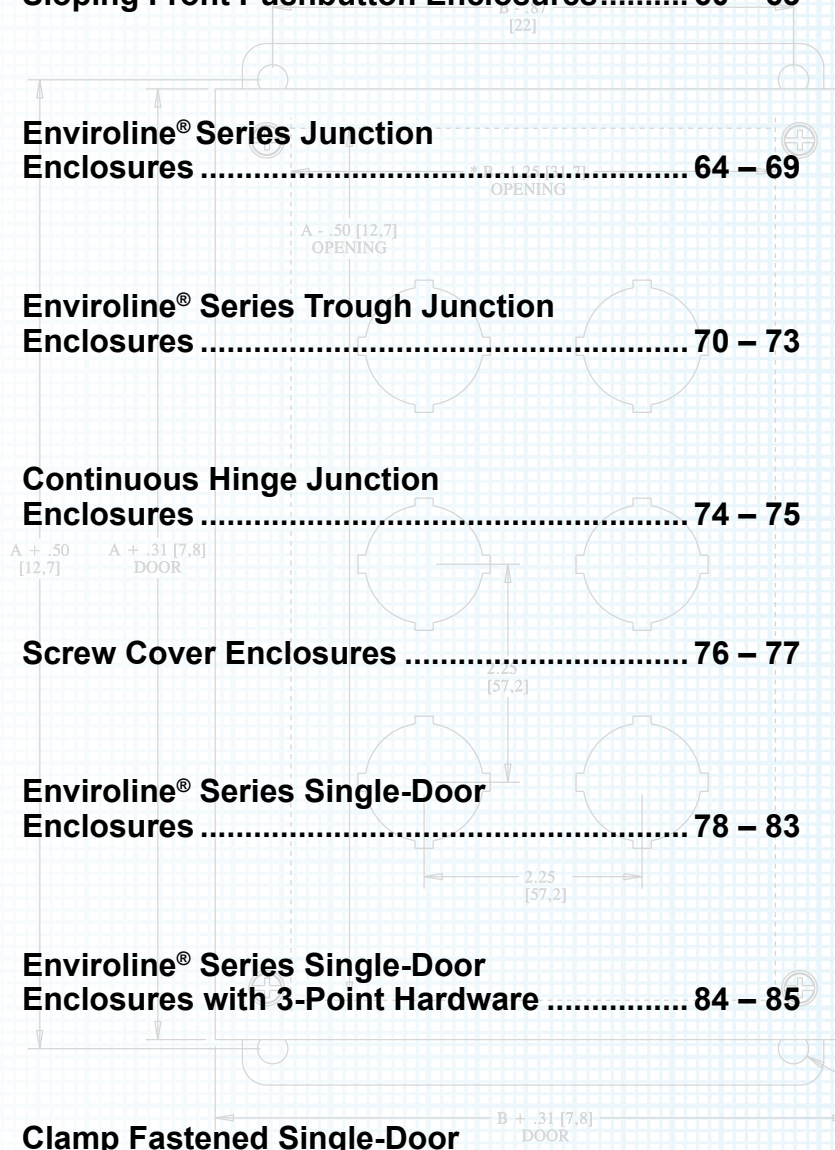
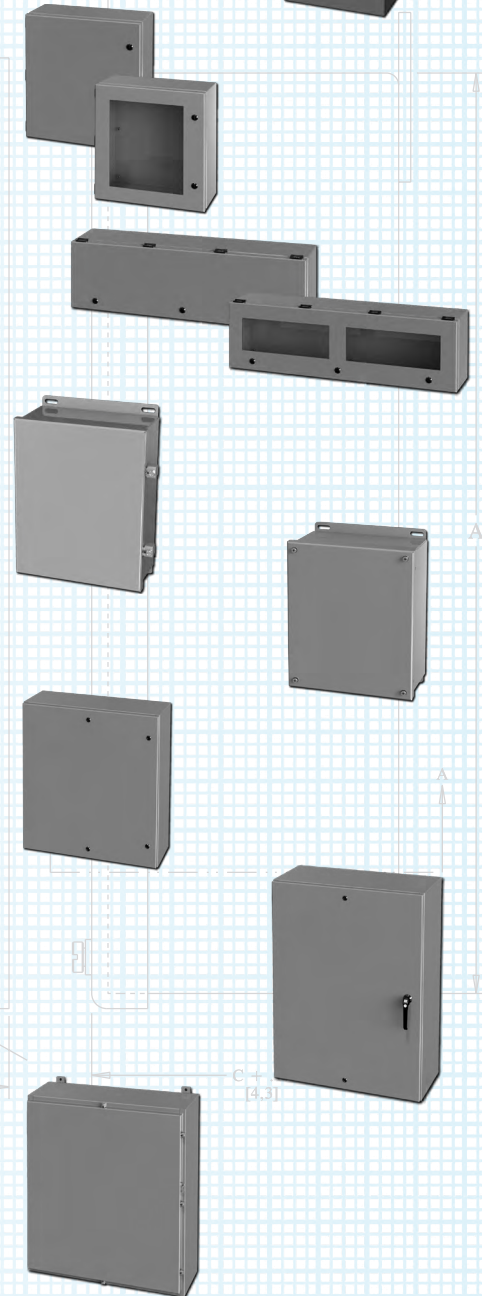
Continuous Hinge Junction Enclosures 74 – 75

Screw Cover Enclosures 76 – 77

Enviroline® Series Single-Door Enclosures 78 – 83

Enviroline® Series Single-Door Enclosures with 3-Point Hardware 84 – 85

Clamp Fastened Single-Door Enclosures 86 – 88



1 Operator System Enclosures
2 Wall-Mount Enclosures
3 Free-Standing & Floor-Mounted Enclosures
4 Modular Enclosures
5 Operator System Enclosures (Stainless Steel)
6 Wall-Mount Enclosures (Stainless Steel)
7 Free-Standing & Floor-Mounted Enclosures (Stainless Steel)
8 Non-Metallic Enclosures
9 Accessories
10 Technical Information
11 Index



Phone (989) 799-6871
Fax (989) 799-4524

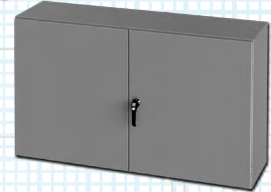


Wall-Mount Enclosures

Enviroline® Series Two-Door Enclosures 90 – 91



Overlapping Two-Door Enclosures..... 92 – 93



Enviroline® Series Single-Door Enclosures for Flange-Mounted Disconnects with SCE Door Hardware 94 – 97



Single-Door Enclosures for Flange-Mounted Disconnects with SCE Door Hardware..... 98 – 99



Clamp Fastened Single-Door Enclosures for Flange-Mounted Disconnects..... 100 – 101



Vented Type 3R Disconnect Enclosures ... 102 – 103



Vented Type 3R Enclosures..... 104 – 105



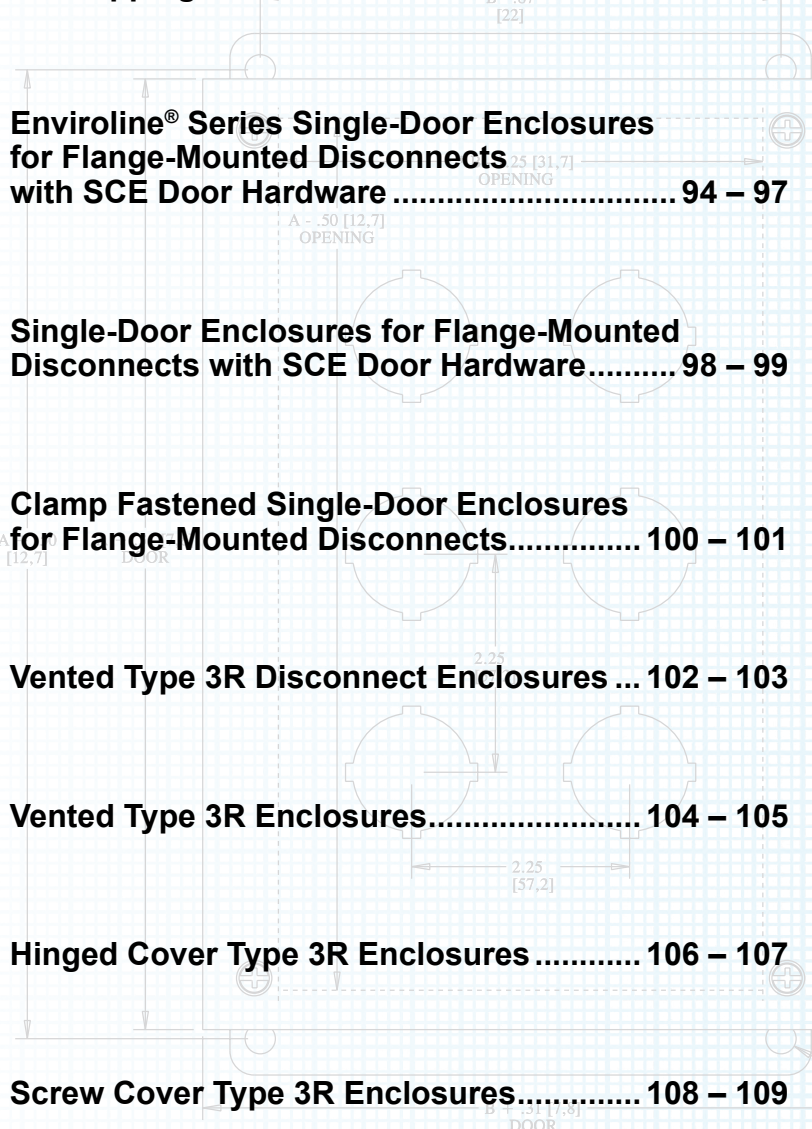
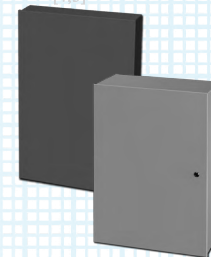
Hinged Cover Type 3R Enclosures 106 – 107



Screw Cover Type 3R Enclosures..... 108 – 109



General Purpose Type 1 Enclosures 110 – 113



Phone (989) 799-6871
Fax (989) 799-4524



30.5 mm Pushbutton Enclosures

Application -

Designed to offer protection for oil-tight pushbuttons, switches, and pilot lights from dust, water, dirt and oil. For installation information, consult our Installation Manual at www.saginawcontrol.com.

Construction -

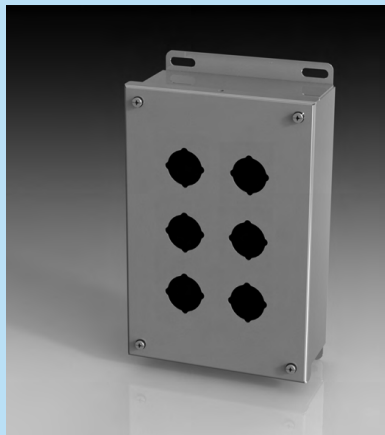
- 0.063" carbon steel.
- Continuously welded seams.
- Captivated cover screws thread into sealed wells.
- 4-way pushbutton holes accept all brands of oil-tight pushbuttons, switches and pilot lights. Hole diameter is 1.20" (30.5 mm).
- Immediate removal of cover is permitted.
- Oil-resistant gasket.
- Welded mounting provision top and bottom of back.

Finish -

ANSI-61 gray powder coated inside and out.

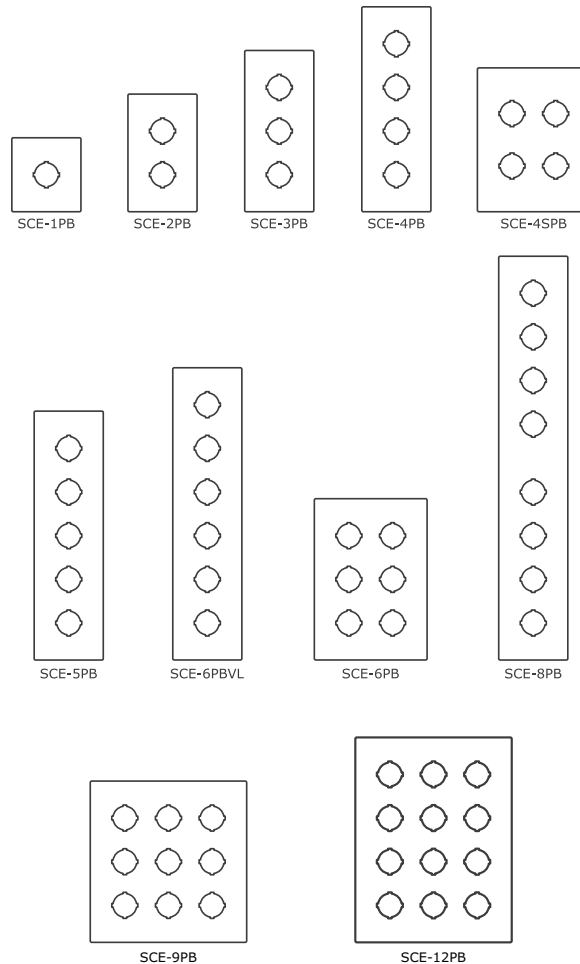
IS2 - Industry Standards -

NEMA Type 4, 12 & Type 23
 UL Listed Type 4 & 12
 CSA Type 4 & 12
 IEC 60529 IP66



30.5 mm PUSHBUTTON ENCLOSURES

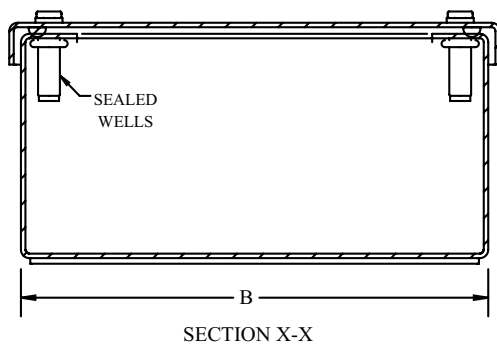
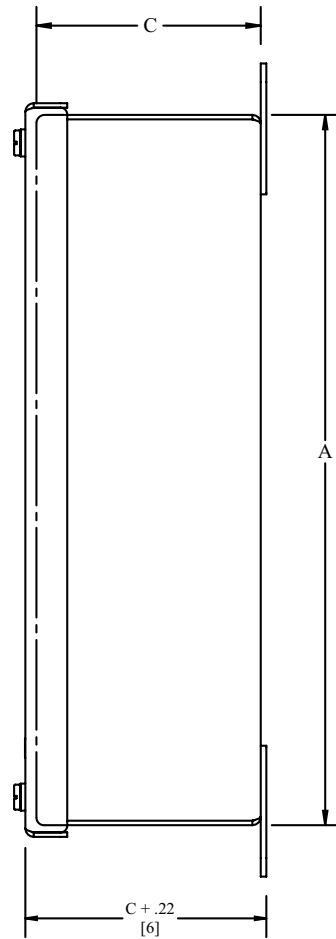
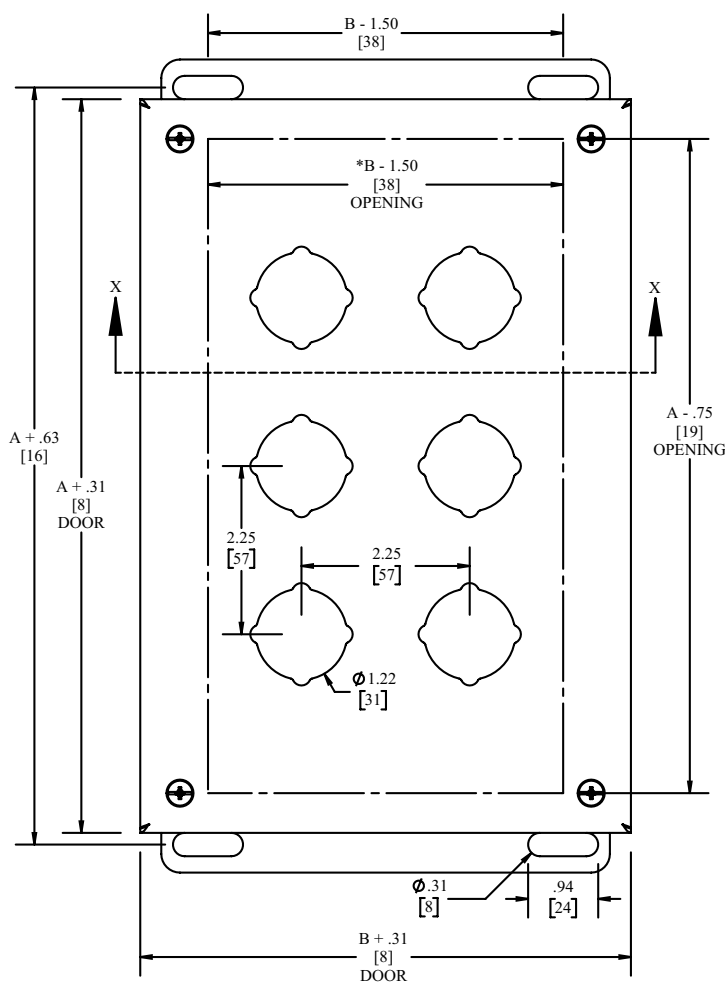
ENCLOSURE PRODUCT CODE A1					
Catalog No.	Height (A)	Width (B)	Depth (C)	Industry Standard	List Price
SCE-1PB	3.50	3.25	2.75	IS2	43.90
SCE-2PB	5.75	3.25	2.75	IS2	50.17
SCE-3PB	8.00	3.25	2.75	IS2	56.43
SCE-4PB	10.25	3.25	2.75	IS2	62.70
SCE-4SPB	7.25	6.25	3.00	IS2	70.23
SCE-5PB	12.50	3.25	2.75	IS2	68.98
SCE-6PB	9.50	6.25	3.00	IS2	80.26
SCE-6PBVL	14.75	3.25	2.75	IS2	75.24
SCE-8PB	20.25	3.25	2.75	IS2	90.29
SCE-9PB	9.50	8.50	3.00	IS2	92.80
SCE-12PB	11.75	8.50	3.00	IS2	104.08



Phone (989) 799-6871
 Fax (989) 799-4524



30.5 mm PUSHBUTTON ENCLOSURES TECHNICAL DATA



NOTE:
*B - .50 [13] WHEN ONE COLUMN OF PUSHBUTTONS



Phone (989) 799-6871
Fax (989) 799-4524

- 1 Operator System Enclosures
- 2 Wall-Mount Enclosures
- 3 Free-Standing & Floor-Mounted Enclosures
- 4 Modular Enclosures
- 5 Operator System Enclosures (Stainless Steel)
- 6 Wall-Mount Enclosures (Stainless Steel)
- 7 Free-Standing & Floor-Mounted Enclosures (Stainless Steel)
- 8 Non-Metallic Enclosures
- 9 Accessories
- 10 Technical Information
- 11 Index

22.5 mm Pushbutton Enclosures

Application -

Designed to offer protection for oil-tight pushbuttons, switches, and pilot lights from dust, water, dirt and oil. For installation information, consult our Installation Manual at www.saginawcontrol.com.

Construction -

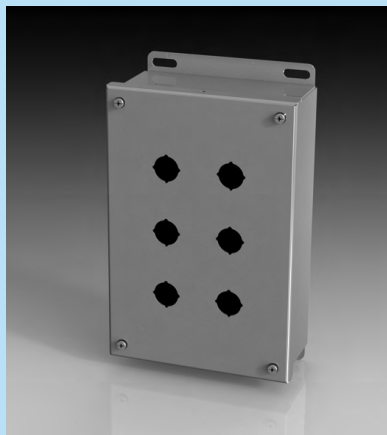
- 0.063" carbon steel.
- Continuously welded seams.
- Captivated cover screws thread into sealed wells.
- 4-way pushbutton holes accept all brands of oil-tight pushbuttons, switches and pilot lights. Hole diameter is 0.87" (22.5 mm).
- Immediate removal of cover is permitted.
- Oil-resistant gasket.
- Welded mounting provision top and bottom of back.

Finish -

ANSI-61 gray powder coated inside and out.

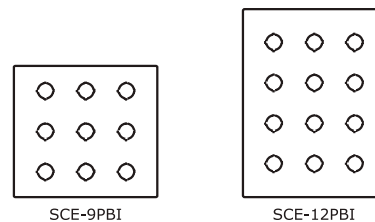
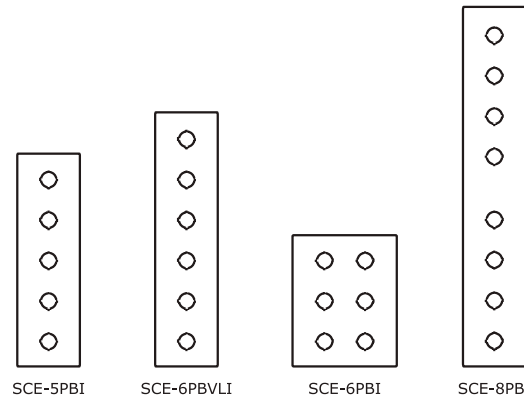
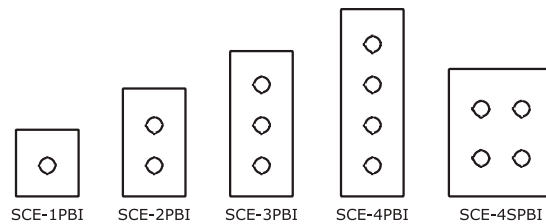
IS2 - Industry Standards -

NEMA Type 4, 12 & Type 3
 UL Listed Type 4 & 12
 CSA Type 4 & 12
 IEC 60529 IP66



22.5 mm PUSHBUTTON ENCLOSURES

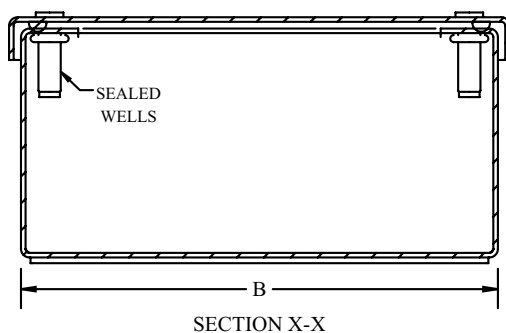
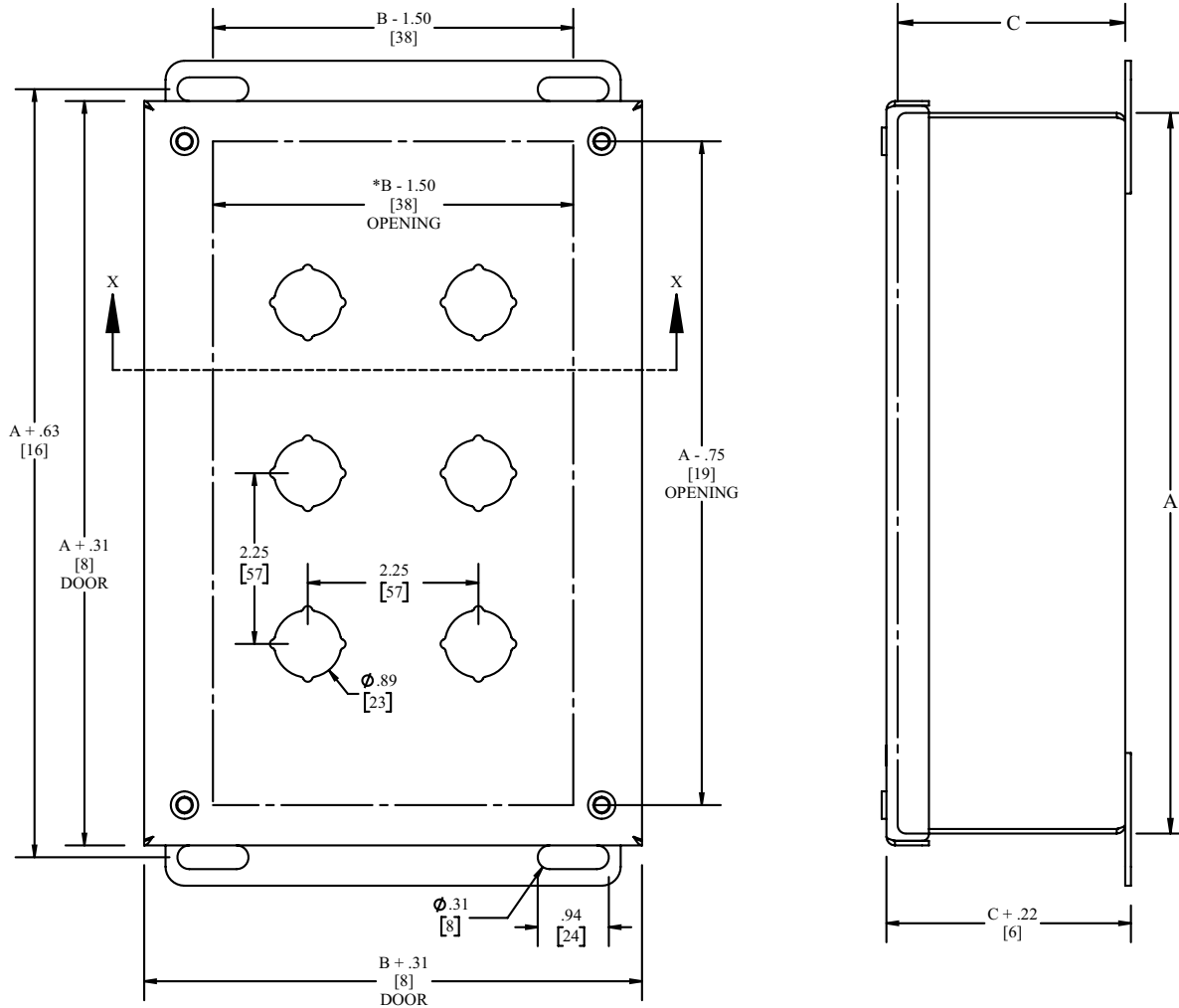
ENCLOSURE PRODUCT CODE A1					
Catalog No.	Height (A)	Width (B)	Depth (C)	Industry Standard	List Price
SCE-1PBI	3.50	3.25	2.75	IS2	43.90
SCE-2PBI	5.75	3.25	2.75	IS2	50.17
SCE-3PBI	8.00	3.25	2.75	IS2	56.43
SCE-4PBI	10.25	3.25	2.75	IS2	62.70
SCE-4SPBI	7.25	6.25	3.00	IS2	70.23
SCE-5PBI	12.50	3.25	2.75	IS2	68.98
SCE-6PBI	9.50	6.25	3.00	IS2	80.26
SCE-6PBVLI	14.75	3.25	2.75	IS2	75.24
SCE-8PBI	20.25	3.25	2.75	IS2	90.29
SCE-9PBI	9.50	8.50	3.00	IS2	92.80
SCE-12PBI	11.75	8.50	3.00	IS2	104.08



Phone (989) 799-6871
 Fax (989) 799-4524



22.5 mm PUSHBUTTON ENCLOSURES TECHNICAL DATA



NOTE:
*B - .50 [13] WHEN ONE COLUMN OF PUSHBUTTONS



Phone (989) 799-6871
Fax (989) 799-4524

- 1 Operator System Enclosures
- 2 Wall-Mount Enclosures
- 3 Free-Standing & Floor-Mounted Enclosures
- 4 Modular Enclosures
- 5 Operator System Enclosures (Stainless Steel)
- 6 Wall-Mount Enclosures (Stainless Steel)
- 7 Free-Standing & Floor-Mounted Enclosures (Stainless Steel)
- 8 Non-Metallic Enclosures
- 9 Accessories
- 10 Technical Information
- 11 Index

Extra Deep 30.5 mm Pushbutton Enclosures

Application -

Designed to offer protection for oil-tight pushbuttons, switches, and pilot lights from dust, water, dirt and oil. For installation information, consult our Installation Manual at www.saginawcontrol.com.

Construction -

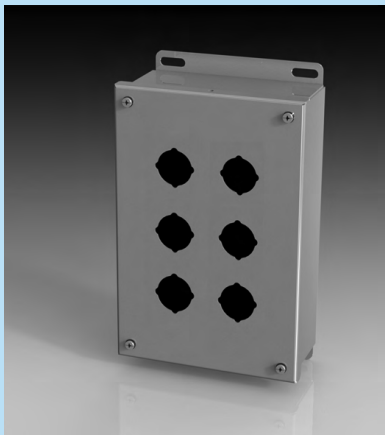
- 0.063" carbon steel.
- Continuously welded seams.
- Captivated cover screws thread into sealed wells.
- 4-way pushbutton holes accept all brands of oil-tight pushbuttons, switches and pilot lights. Hole diameter is 1.20" (30.5 mm).
- Immediate removal of cover is permitted.
- Oil-resistant gasket.
- Welded mounting provision top and bottom of back.

Finish -

ANSI-61 gray powder coated inside and out.

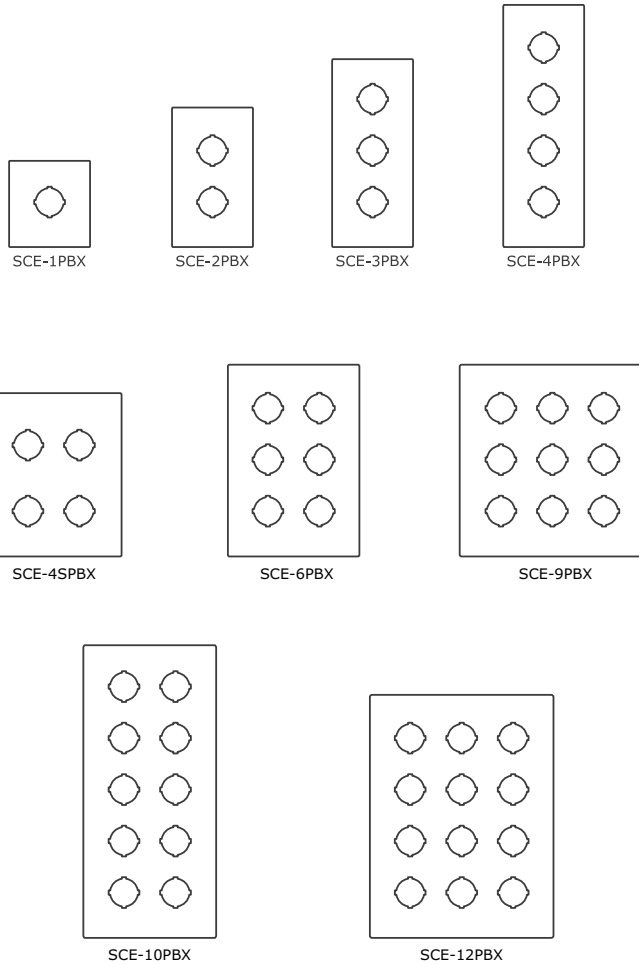
IS2 - Industry Standards -

NEMA Type 4, 12 & Type 13
 UL Listed Type 4 & 12
 CSA Type 4 & 12
 IEC 60529 IP66



EXTRA DEEP 30.5 mm PUSHBUTTON ENCLOSURES

ENCLOSURES PRODUCT CODE A1					
Catalog No.	Height (A)	Width (B)	Depth (C)	Industry Standard	List Price
SCE-1PBX	4.00	4.00	4.75	IS2	56.43
SCE-2PBX	6.00	4.00	4.75	IS2	65.22
SCE-3PBX	8.00	4.00	4.75	IS2	73.99
SCE-4PBX	10.00	4.00	4.75	IS2	81.51
SCE-4SPBX	7.25	6.25	4.75	IS2	82.76
SCE-6PBX	9.50	6.25	4.75	IS2	95.31
SCE-9PBX	9.50	8.50	4.75	IS2	107.85
SCE-10PBX	14.00	6.25	4.75	IS2	117.88
SCE-12PBX	11.75	8.50	4.75	IS2	124.15

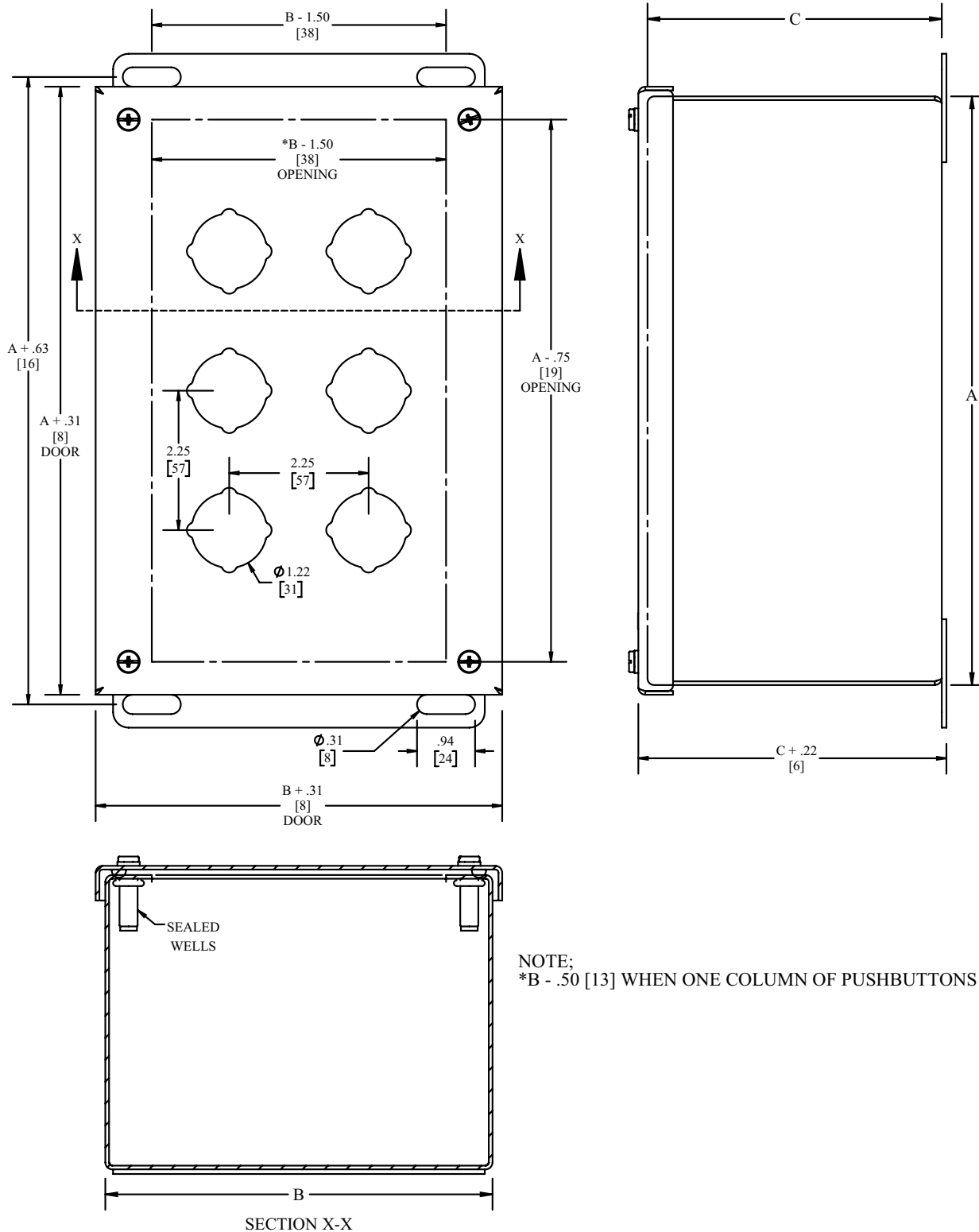


Phone (989) 799-6871
 Fax (989) 799-4524



EXTRA DEEP 30.5 mm PUSHBUTTON ENCLOSURES

TECHNICAL DATA



NOTE:
*B - .50 [13] WHEN ONE COLUMN OF PUSHBUTTONS



Phone (989) 799-6871
Fax (989) 799-4524

- 1 Operator System Enclosures
- 2 Wall-Mount Enclosures
- 3 Free-Standing & Floor-Mounted Enclosures
- 4 Modular Enclosures
- 5 Operator System Enclosures (Stainless Steel)
- 6 Wall-Mount Enclosures (Stainless Steel)
- 7 Free-Standing & Floor-Mounted Enclosures (Stainless Steel)
- 8 Non-Metallic Enclosures
- 9 Accessories
- 10 Technical Information
- 11 Index

Extra Deep 22.5 mm Pushbutton Enclosures

Application -

Designed to offer protection for oil-tight pushbuttons, switches, and pilot lights from dust, water, dirt and oil. For installation information, consult our Installation Manual at www.saginawcontrol.com.

Construction -

- 0.063" carbon steel.
- Continuously welded seams.
- Captivated cover screws thread into sealed wells.
- 4-way pushbutton holes accept all brands of oil-tight pushbuttons, switches and pilot lights. Hole diameter is 0.87" (22.5 mm).
- Immediate removal of cover is permitted.
- Oil-resistant gasket.
- Welded mounting provision top and bottom of back.

Finish -

ANSI-61 gray powder coated inside and out.

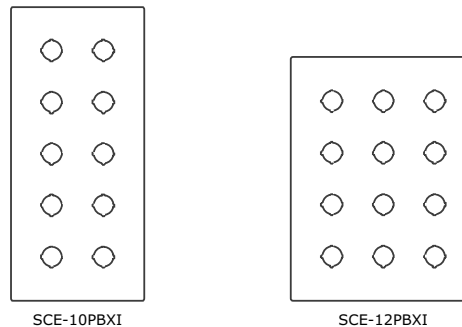
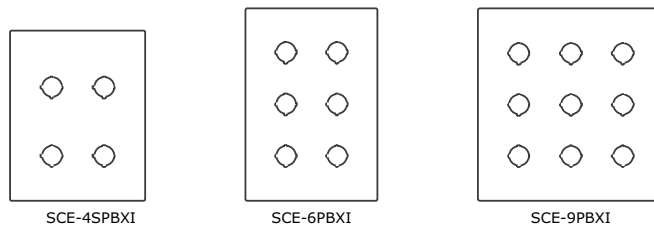
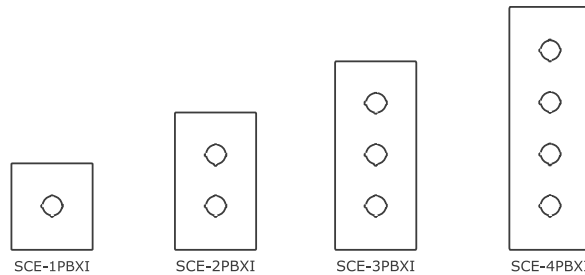
IS2 - Industry Standards -

NEMA Type 4, 12 & Type 23
 UL Listed Type 4 & 12
 CSA Type 4 & 12
 IEC 60529 IP66



EXTRA DEEP 22.5 mm PUSHBUTTON ENCLOSURES

ENCLOSURE PRODUCT CODE A1					
Catalog No.	Height (A)	Width (B)	Depth (C)	Industry Standard	List Price
SCE-1PBXI	4.00	4.00	4.75	IS2	56.43
SCE-2PBXI	6.00	4.00	4.75	IS2	65.22
SCE-3PBXI	8.00	4.00	4.75	IS2	73.99
SCE-4PBXI	10.00	4.00	4.75	IS2	81.51
SCE-4SPBXI	7.25	6.25	4.75	IS2	82.76
SCE-6PBXI	9.50	6.25	4.75	IS2	95.31
SCE-9PBXI	9.50	8.50	4.75	IS2	107.85
SCE-10PBXI	14.00	6.25	4.75	IS2	117.88
SCE-12PBXI	11.75	8.50	4.75	IS2	124.15

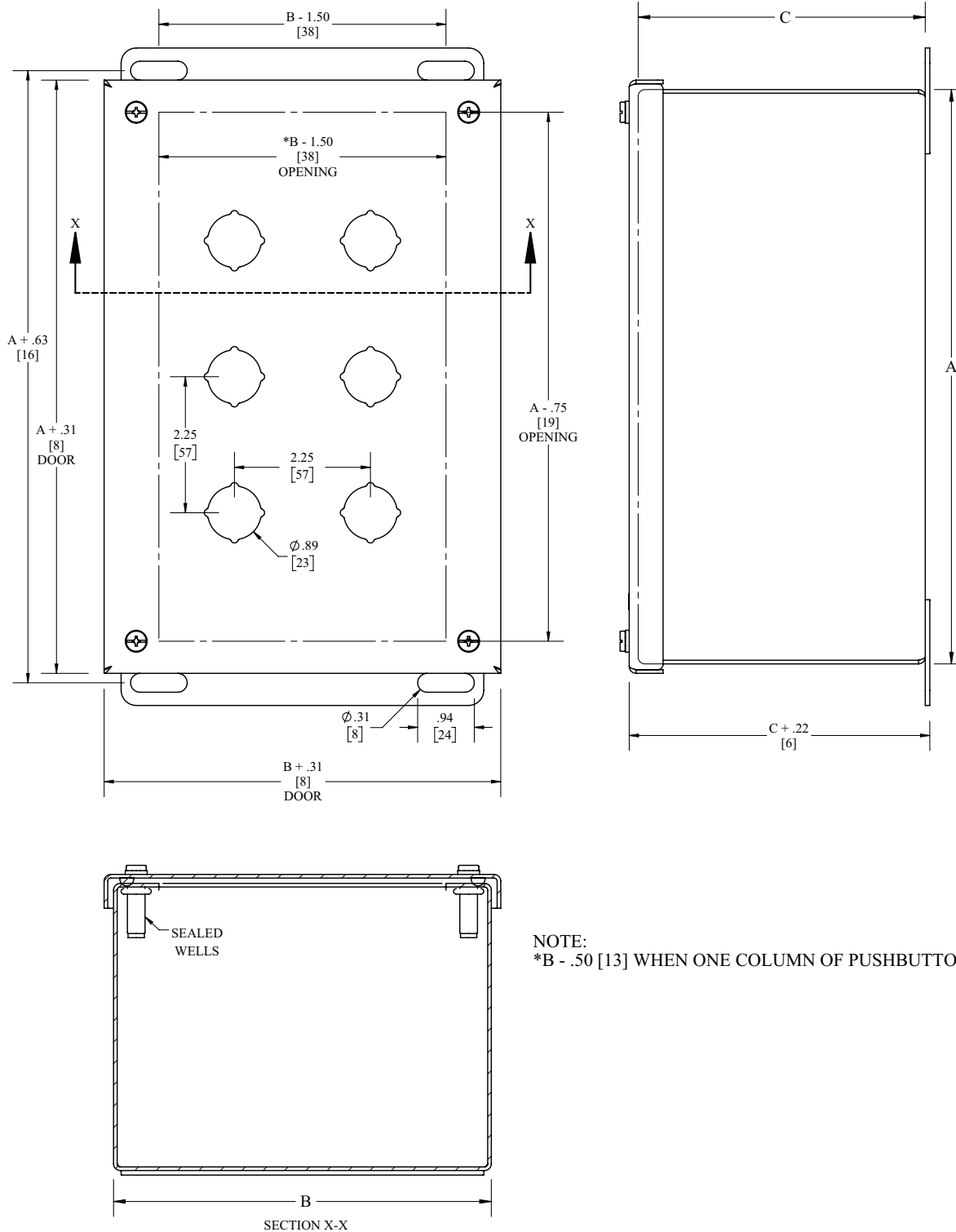


Phone (989) 799-6871
 Fax (989) 799-4524



EXTRA DEEP 22.5 mm PUSHBUTTON ENCLOSURES

TECHNICAL DATA



NOTE:
*B - .50 [13] WHEN ONE COLUMN OF PUSHBUTTONS



Phone (989) 799-6871
Fax (989) 799-4524

Pushbutton Enclosures for 22.5 mm Pushbuttons

Application -

Designed to offer protection for miniature oil-tight pushbuttons, switches, and pilot lights from dust, water, dirt and oil. For installation information, consult our Installation Manual at www.saginawcontrol.com.

Construction -

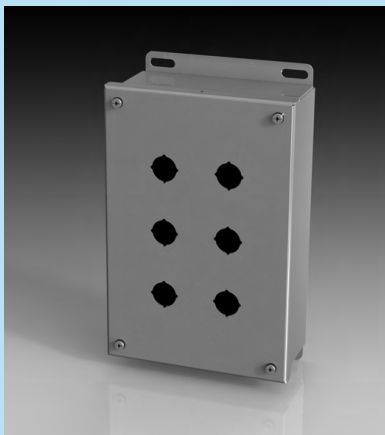
- 0.063" carbon steel.
- Continuously welded seams.
- Captivated cover screws thread into sealed wells.
- 4-way miniature pushbutton holes accept all brands of oil-tight pushbuttons, switches and pilot lights. Hole diameter is 0.87" (22.5 mm).
- Immediate removal of cover is permitted.
- Oil-resistant gasket.
- Welded mounting provision top and bottom of back.

Finish -

ANSI-61 gray powder coated inside and out.

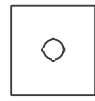
IS2 - Industry Standards -

NEMA Type 4, 12 & Type 13
 UL Listed Type 4 & 12
 CSA Type 4 & 12
 IEC 60529 IP66



PUSHBUTTON ENCLOSURES FOR 22.5 mm PUSHBUTTONS

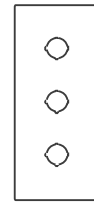
ENCLOSURE PRODUCT CODE A1					
Catalog No.	Height (A)	Width (B)	Depth (C)	Industry Standard	List Price
SCE-1PBGX	3.25	3.25	3.50	IS2	50.17
SCE-2PBGX	5.13	3.25	3.50	IS2	55.18
SCE-3PBGX	7.00	3.25	3.50	IS2	61.45
SCE-4PBGX	8.88	3.25	3.50	IS2	67.71
SCE-6PBGX	8.50	6.00	4.25	IS2	86.52
SCE-9PBGX	8.50	6.50	4.25	IS2	95.31
SCE-12PBGX	10.38	6.25	4.25	IS2	106.60



SCE-1PBGX



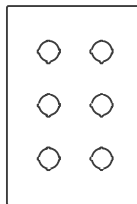
SCE-2PBGX



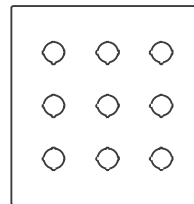
SCE-3PBGX



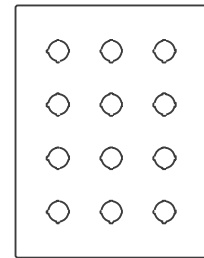
SCE-4PBGX



SCE-6PBGX



SCE-9PBGX



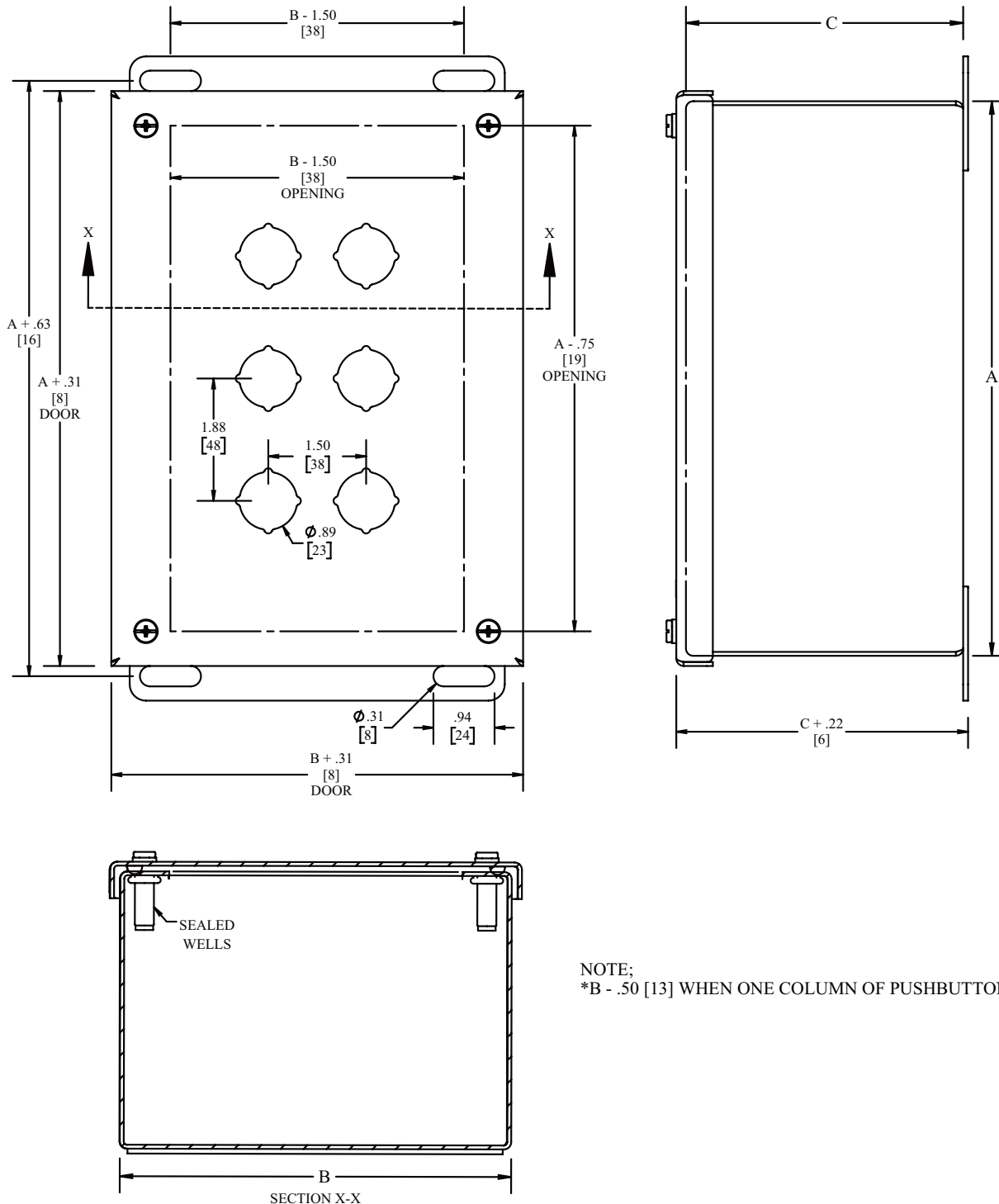
SCE-12PBGX

Phone (989) 799-6871
 Fax (989) 799-4524



PUSHBUTTON ENCLOSURES FOR 22.5 mm PUSHBUTTONS

TECHNICAL DATA



NOTE;
*B - .50 [13] WHEN ONE COLUMN OF PUSHBUTTONS



Phone (989) 799-6871
Fax (989) 799-4524

- 1 Operator System Enclosures
- 2 Wall-Mount Enclosures
- 3 Free-Standing & Floor-Mounted Enclosures
- 4 Modular Enclosures
- 5 Operator System Enclosures (Stainless Steel)
- 6 Wall-Mount Enclosures (Stainless Steel)
- 7 Free-Standing & Floor-Mounted Enclosures (Stainless Steel)
- 8 Non-Metallic Enclosures
- 9 Accessories
- 10 Technical Information
- 11 Index

Extra Large 30.5 mm Hinged Pushbutton Enclosures

Application -

Designed to offer protection for oil-tight pushbuttons, switches, and pilot lights from dust, water, dirt and oil. For installation information, consult our Installation Manual at www.saginawcontrol.com.

Construction -

- 0.063" carbon steel.
- Continuously welded seams.
- Captivated cover screws thread into sealed wells.
- 4-way pushbutton holes accept all brands of oil-tight pushbuttons, switches and pilot lights. Hole diameter is 1.20" (30.5 mm).
- Oil-resistant gasket.
- Provisions for sub-panel.
- Ground stud on door and body.
- Bolt-on continuous hinge with stainless steel hinge pin.
- Welded mounting provision top and bottom of back.

Finish -

ANSI-61 gray powder coated inside and out. Optional sub-panels powder coated white.

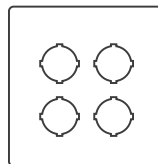
IS2 - Industry Standards -

NEMA Type 4, 12 & Type 13
 UL Listed Type 4 & 12
 CSA Type 4 & 12
 IEC 60529 IP66

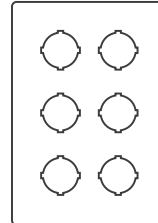


EXTRA LARGE 30.5 mm HINGED PUSHBUTTON ENCLOSURES

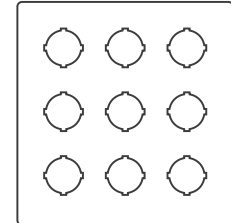
ENCLOSURE PRODUCT CODE A1						SUB-PANEL (P3)			
Catalog No.	Height (A)	Width (B)	Depth (C)	Industry Standard	List Price	Catalog No.	Panel Height (D)	Panel Width (E)	List Price
SCE-4SPBH	8.13	8.00	6.00	IS2	107.08	SCE-8P8	7.00	7.00	4.89
SCE-6PBH	10.13	8.00	6.00	IS2	122.63	SCE-10P8	9.00	7.00	5.70
SCE-9PBH	10.13	10.00	6.00	IS2	142.99	SCE-10P10	9.00	9.00	6.73
SCE-12PBH	12.13	10.00	6.00	IS2	162.14	SCE-12P10	11.00	9.00	7.72
SCE-16PBH	12.13	12.00	6.00	IS2	184.70	SCE-12P12	11.00	11.00	9.08



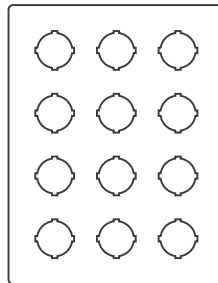
SCE-4SPBH



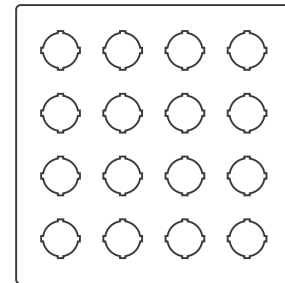
SCE-6PBH



SCE-9PBH



SCE-12PBH

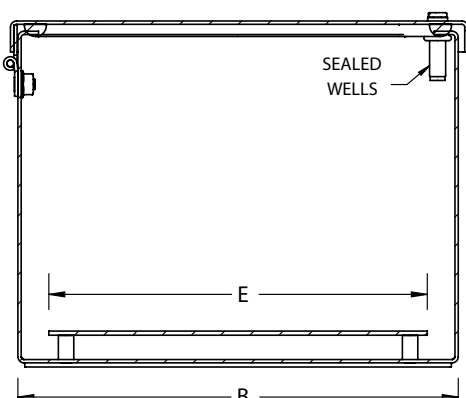
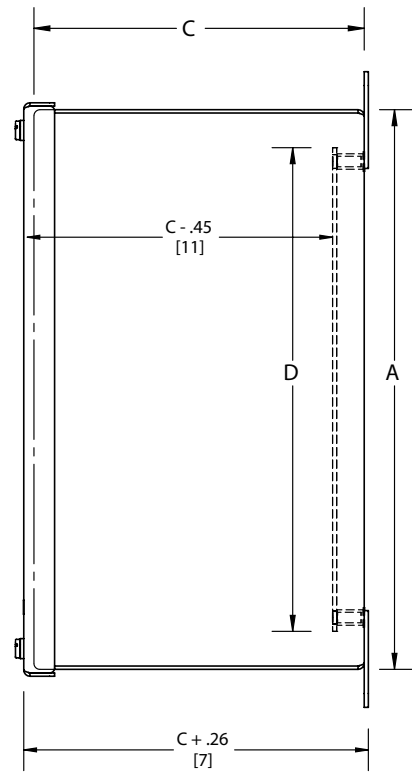
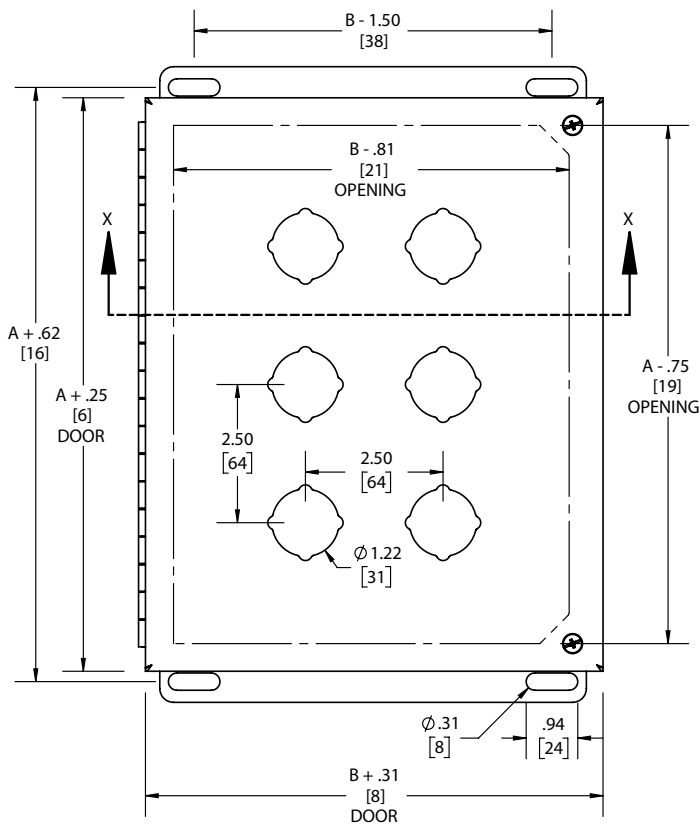


SCE-16PBH

Phone (989) 799-6871
 Fax (989) 799-4524



EXTRA LARGE 30.5 mm HINGED PUSHBUTTON ENCLOSURES TECHNICAL DATA



Phone (989) 799-6871
Fax (989) 799-4524

- 1 Operator System Enclosures
- 2 Wall-Mount Enclosures
- 3 Free-Standing & Floor-Mounted Enclosures
- 4 Modular Enclosures
- 5 Operator System Enclosures (Stainless Steel)
- 6 Wall-Mount Enclosures (Stainless Steel)
- 7 Free-Standing & Floor-Mounted Enclosures (Stainless Steel)
- 8 Non-Metallic Enclosures
- 9 Accessories
- 10 Technical Information
- 11 Index

Extra Large 22.5 mm Hinged Pushbutton Enclosures

Application -

Designed to offer protection for oil-tight pushbuttons, switches, and pilot lights from dust, water, dirt and oil. For installation information, consult our Installation Manual at www.saginawcontrol.com.

Construction -

- 0.063" carbon steel.
- Continuously welded seams.
- Captivated cover screws thread into sealed wells.
- 4-way pushbutton holes accept all brands of oil-tight pushbuttons, switches and pilot lights. Hole diameter is 0.87" (22.5 mm).
- Oil-resistant gasket.
- Provisions for sub-panel.
- Ground stud on door and body.
- Bolt-on continuous hinge with stainless steel hinge pin.
- Welded mounting provision top and bottom of back.

Finish -

ANSI-61 gray powder coated inside and out. Optional sub-panels powder coated white.

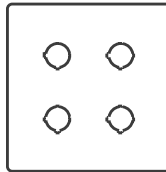
IS2 - Industry Standards -

- NEMA Type 4, 12 & Type 13
- UL Listed Type 4 & 12
- CSA Type 4 & 12
- IEC 60529 IP66

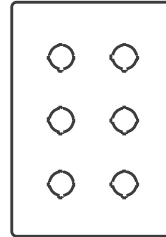


EXTRA LARGE 22.5 mm HINGED PUSHBUTTON ENCLOSURES

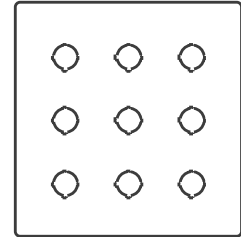
ENCLOSURE PRODUCT CODE A1						SUB-PANEL (P3)			
Catalog No.	Height (A)	Width (B)	Depth (C)	Industry Standard	List Price	Catalog No.	Panel Height (D)	Panel Width (E)	List Price
SCE-4SPBHI	8.13	8.00	6.00	IS2	107.08	SCE-8P8	7.00	7.00	4.89
SCE-6PBHI	10.13	8.00	6.00	IS2	122.63	SCE-10P8	9.00	7.00	5.70
SCE-9PBHI	10.13	10.00	6.00	IS2	142.99	SCE-10P10	9.00	9.00	6.73
SCE-12PBHI	12.13	10.00	6.00	IS2	162.14	SCE-12P10	11.00	9.00	7.72
SCE-16PBHI	12.13	12.00	6.00	IS2	184.70	SCE-12P12	11.00	11.00	9.08



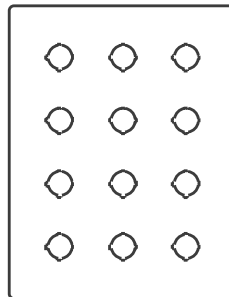
SCE-4SPBHI



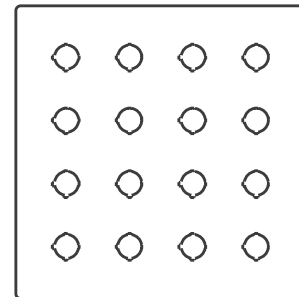
SCE-6PBHI



SCE-9PBHI



SCE-12PBHI

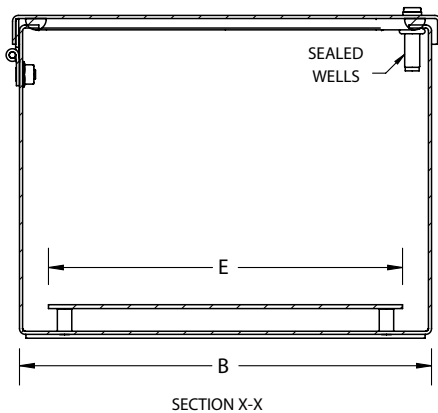
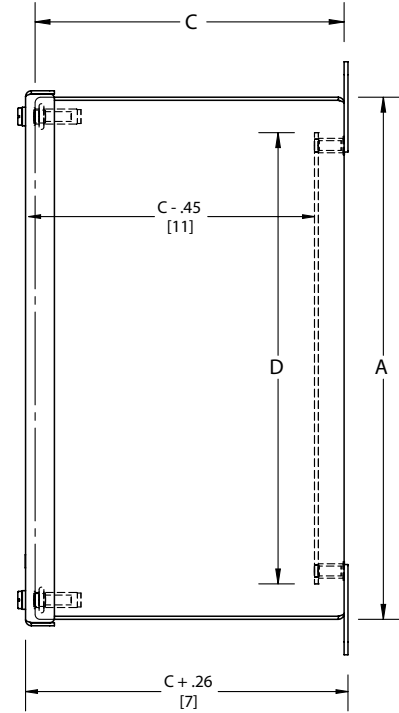
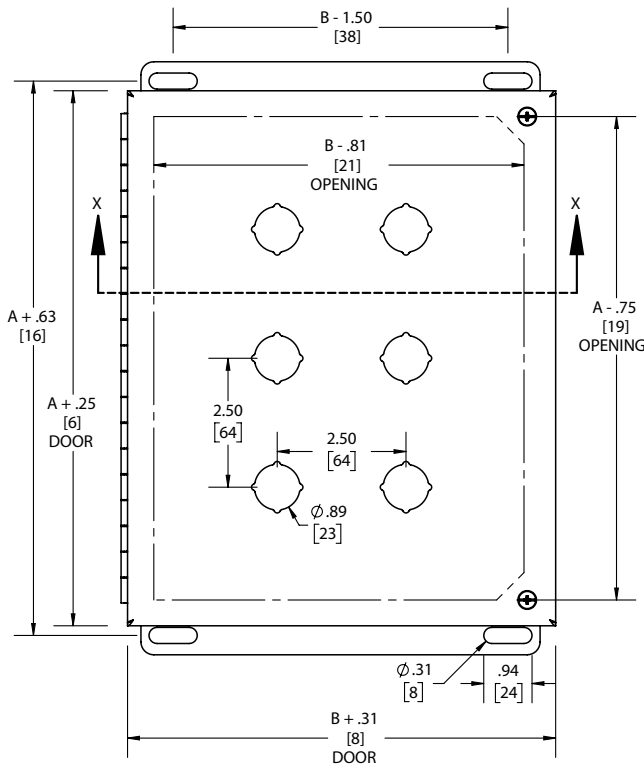


SCE-16PBHI

Phone (989) 799-6871
 Fax (989) 799-4524



EXTRA LARGE 22.5 mm HINGED PUSHBUTTON ENCLOSURES TECHNICAL DATA



Phone (989) 799-6871
Fax (989) 799-4524

- 1 Operator System Enclosures
- 2 Wall-Mount Enclosures
- 3 Free-Standing & Floor-Mounted Enclosures
- 4 Modular Enclosures
- 5 Operator System Enclosures (Stainless Steel)
- 6 Wall-Mount Enclosures (Stainless Steel)
- 7 Free-Standing & Floor-Mounted Enclosures (Stainless Steel)
- 8 Non-Metallic Enclosures
- 9 Accessories
- 10 Technical Information
- 11 Index

Sloping Front 30.5 mm Pushbutton Enclosures

Application -

Designed to offer protection for all standard brands of oil-tight pushbuttons, switches, and pilot lights where slanted surfaces are desired. It offers protection from dust, dirt, oil and water. For installation information, consult our Installation Manual at www.saginawcontrol.com.

Construction -

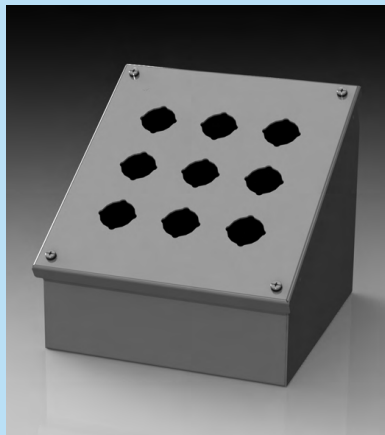
- 0.063" carbon steel.
- Continuously welded seams.
- Captivated cover screws thread into sealed wells.
- 4-way standard pushbutton holes accept all brands of oil-tight pushbuttons, switches, and pilot lights. Hole diameter is 1.20" (30.5 mm).
- Immediate removal of cover is permitted.
- Oil-resistant door gasket.
- Mounting feet included.
- Provisions for sub-panel..

Finish -

ANSI-61 Gray powder coat inside and out. Optional sub-panels powder coated white.

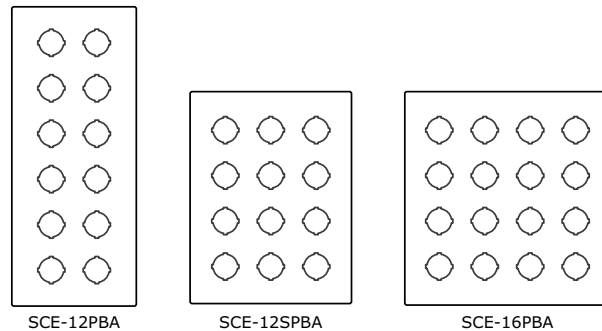
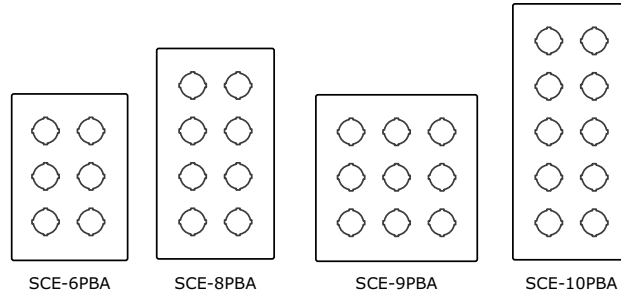
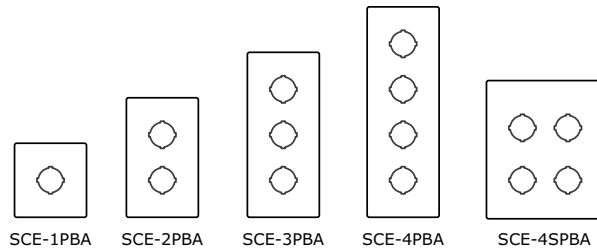
IS2 - Industry Standards -

- NEMA Type 4, 12 & Type 13
- UL Listed Type 4 & 12
- CSA Type 4 & 12
- IEC 60529 IP66



SLOPING FRONT 30.5 mm PUSHBUTTON ENCLOSURES

ENCLOSURE PRODUCT CODE A1							SUB-PANEL (P3)			
Catalog No.	Height (A)	Width (B)	Depth (C)	ref. Depth (D)	Industry Standard	List Price	Catalog No.	Panel Height (D)	Panel Width (E)	List Price
SCE-1PBA	3.50	3.25	4.87	3.53	IS2	65.22	No Panel			
SCE-2PBA	3.50	5.50	4.87	3.53	IS2	75.24	No Panel			
SCE-3PBA	3.50	7.75	4.87	3.53	IS2	85.28	No Panel			
SCE-4PBA	3.50	10.00	4.87	3.53	IS2	96.56	No Panel			
SCE-4SPBA	7.25	6.25	6.75	6.78	IS2	107.85	SCE-6P6	5.00	5.00	3.61
SCE-6PBA	7.25	8.50	6.75	6.78	IS2	125.41	SCE-8P6	7.00	5.00	4.17
SCE-8PBA	7.25	10.75	6.75	6.78	IS2	141.70	SCE-10P6	9.00	5.00	4.89
SCE-9PBA	9.50	8.50	7.88	8.73	IS2	147.97	SCE-8P8	7.00	7.00	4.89
SCE-10PBA	7.25	13.00	6.75	6.78	IS2	158.02	SCE-12P6	11.00	5.00	5.35
SCE-12PBA	7.25	15.25	6.75	6.78	IS2	171.82	SCE-14P6	13.00	5.00	5.98
SCE-12SPBA	11.75	8.50	9.00	10.69	IS2	164.28	SCE-10P8	9.00	7.00	5.70
SCE-16PBA	11.75	10.75	9.00	10.69	IS2	183.10	SCE-10P10	9.00	9.00	6.73

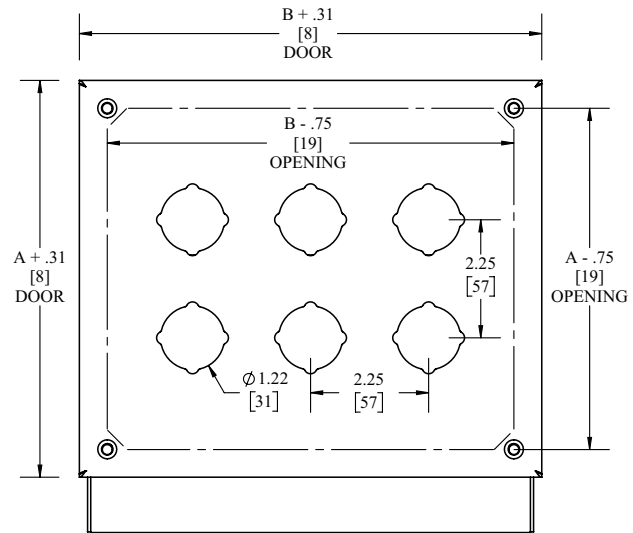
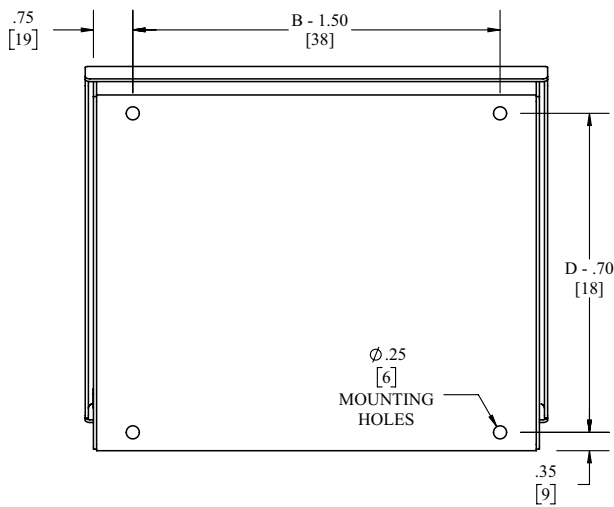
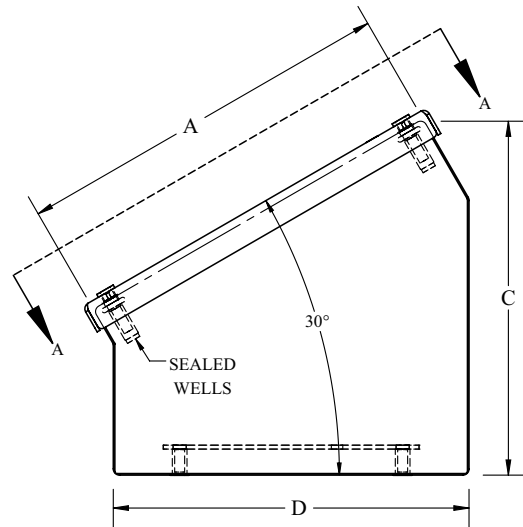
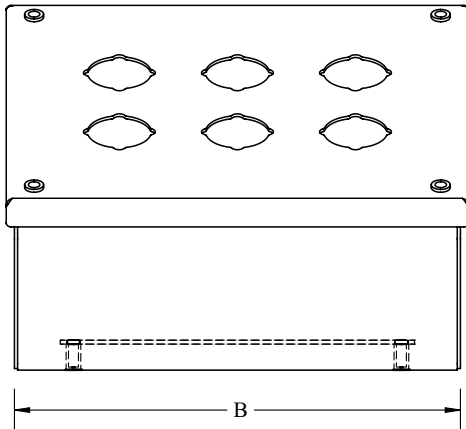


Phone (989) 799-6871
 Fax (989) 799-4524



SLOPING FRONT 30.5 mm PUSHBUTTON ENCLOSURES

TECHNICAL DATA



VIEW A-A



Phone (989) 799-6871
Fax (989) 799-4524

- 1 Operator System Enclosures
- 2 Wall-Mount Enclosures
- 3 Free-Standing & Floor-Mounted Enclosures
- 4 Modular Enclosures
- 5 Operator System Enclosures (Stainless Steel)
- 6 Wall-Mount Enclosures (Stainless Steel)
- 7 Free-Standing & Floor-Mounted Enclosures (Stainless Steel)
- 8 Non-Metallic Enclosures
- 9 Accessories
- 10 Technical Information
- 11 Index

Sloping Front 22.5 mm Pushbutton Enclosures

Application -

Designed to offer protection for all standard brands of oil-tight pushbuttons, switches, and pilot lights where slanted surfaces are desired. It offers protection from dust, dirt, oil and water. For installation information, consult our Installation Manual at www.saginawcontrol.com.

Construction -

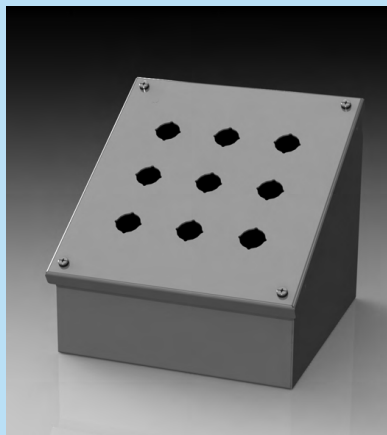
- 0.063" carbon steel.
- Continuously welded seams.
- Captivated cover screws thread into sealed wells.
- 4-way standard pushbutton holes accept all brands of oil-tight pushbuttons, switches, and pilot lights. Hole diameter is 0.87" (22.5 mm).
- Immediate removal of cover is permitted.
- Oil-resistant door gasket.
- Mounting feet included.
- Provisions for sub-panel.

Finish -

ANSI-61 Gray powder coat inside and out. Optional sub-panels powder coated white.

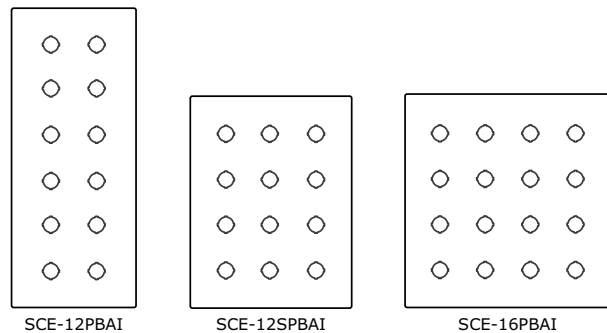
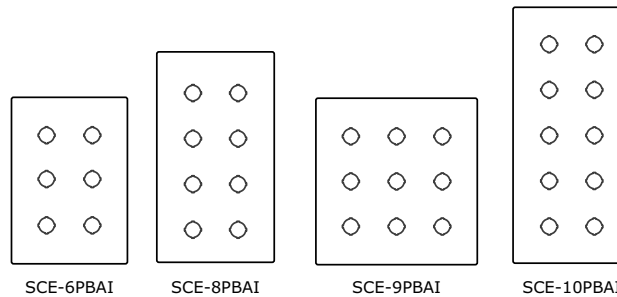
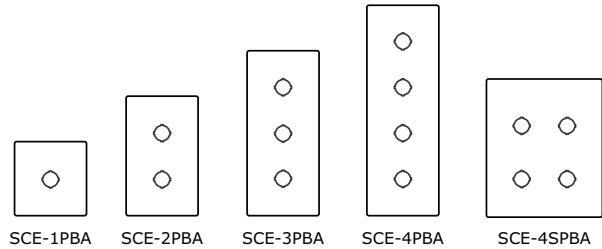
IS2 - Industry Standards -

- NEMA Type 4, 12 & Type 23
- UL Listed Type 4 & 12
- CSA Type 4 & 12
- IEC 60529 IP66



SLOPING FRONT 22.5 mm PUSHBUTTON ENCLOSURES

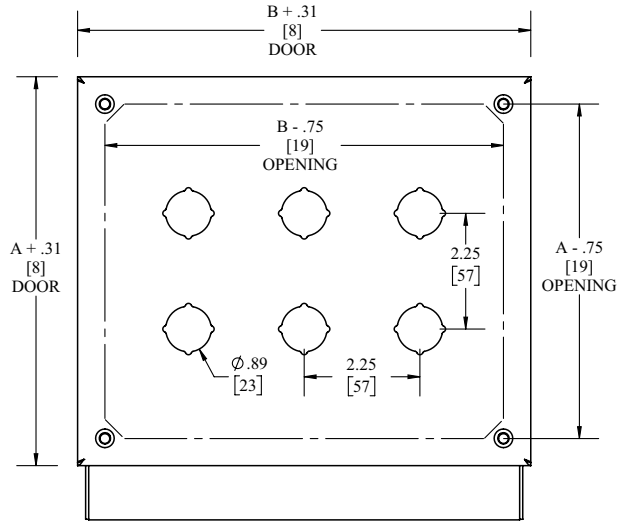
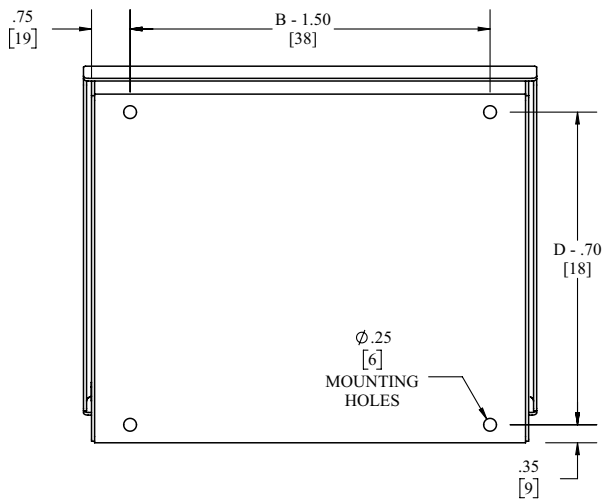
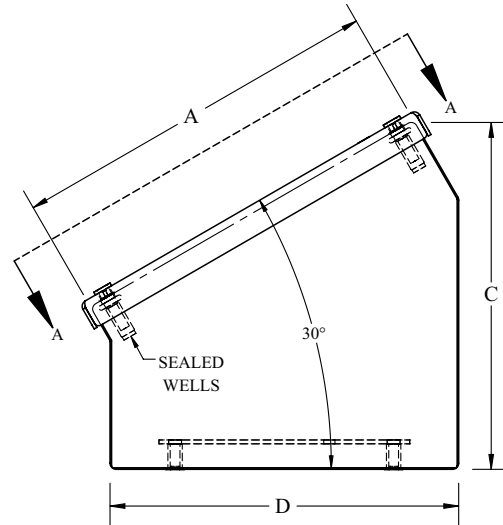
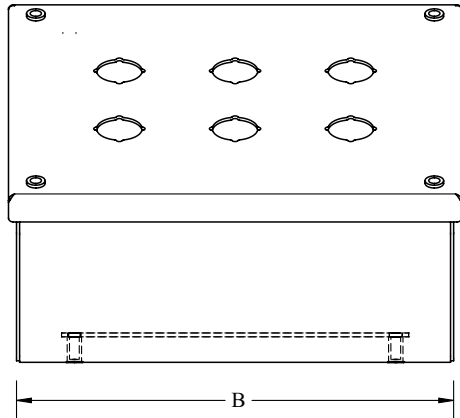
ENCLOSURE PRODUCT CODE A1							SUB-PANEL (P3)			
Catalog No.	Height (A)	Width (B)	Depth (C)	ref. Depth (D)	Industry Standard	List Price	Catalog No.	Panel Height (D)	Panel Width (E)	List Price
SCE-1PBAI	3.50	3.25	4.87	3.53	IS2	65.22	No Panel			
SCE-2PBAI	3.50	5.50	4.87	3.53	IS2	75.24	No Panel			
SCE-3PBAI	3.50	7.75	4.87	3.53	IS2	85.28	No Panel			
SCE-4PBAI	3.50	10.00	4.87	3.53	IS2	96.56	No Panel			
SCE-4SPBAI	7.25	6.25	6.75	6.78	IS2	107.85	SCE-6P6	5.00	5.00	3.61
SCE-6PBAI	7.25	8.50	6.75	6.78	IS2	125.41	SCE-8P6	7.00	5.00	4.17
SCE-8PBAI	7.25	10.75	6.75	6.78	IS2	141.70	SCE-10P6	9.00	5.00	4.89
SCE-9PBAI	9.50	8.50	7.88	8.73	IS2	147.97	SCE-8P8	7.00	7.00	4.89
SCE-10PBAI	7.25	13.00	6.75	6.78	IS2	158.02	SCE-12P6	11.00	5.00	5.35
SCE-12PBAI	7.25	15.25	6.75	6.78	IS2	171.82	SCE-14P6	13.00	5.00	5.98
SCE-12SPBAI	11.75	8.50	9.00	10.69	IS2	164.28	SCE-10P8	9.00	7.00	5.70
SCE-16PBAI	11.75	10.75	9.00	10.69	IS2	183.10	SCE-10P10	9.00	9.00	6.73



Phone (989) 799-6871
 Fax (989) 799-4524



SLOPING FRONT 22.5 mm PUSHBUTTON ENCLOSURES TECHNICAL DATA



VIEW A-A



Phone (989) 799-6871
Fax (989) 799-4524

- 1 Operator System Enclosures
- 2 Wall-Mount Enclosures
- 3 Free-Standing & Floor-Mounted Enclosures
- 4 Modular Enclosures
- 5 Operator System Enclosures (Stainless Steel)
- 6 Wall-Mount Enclosures (Stainless Steel)
- 7 Free-Standing & Floor-Mounted Enclosures (Stainless Steel)
- 8 Non-Metallic Enclosures
- 9 Accessories
- 10 Technical Information
- 11 Index

Enviroline® Series Junction Enclosures

Application -

Designed to house electrical controls, instruments and components in areas, which may be regularly hosed down or are in very wet or oily conditions. Provides protection from dust, dirt, oil, and water. For installation information, consult our Installation Manual at www.saginawcontrol.com.

Construction -

- 0.063" carbon steel.
- Seams continuously welded and ground smooth.
- Flange trough collar around all sides of door opening.
- Oil-resistant gasket.
- Standoffs provided for mounting optional sub-panels.
- Removable hinge.
- Doors open 180 degrees.
- Black mini quarter turn latches.
- Latches are opened or closed with a screwdriver.
- Sealing washers and hole plugs included.
- Ground stud on door & body.
- Mounting feet included.

Finish -

ANSI-61 gray powder coated inside and out. Optional sub-panels powder coated white.

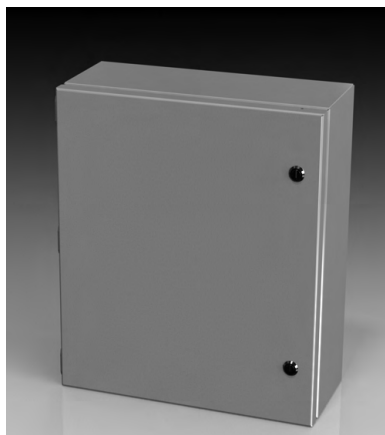
IS4 - Industry Standards -

NEMA Type 3R, 4, 12 & Type 13
 UL Listed Type 3R, 4 & 12
 CSA Type 3R, 4 & 12
 IEC 60529 IP66

***Special Instructions apply for IS3, IS4 and IS6 to maintain the environmental rating of Type 3R for these parts. See the Special Instructions on the Industry Standards page in the Technical Information Section.

ENVIROLINE® SERIES JUNCTION ENCLOSURES

ENCLOSURE PRODUCT CODE E1						SUB-PANEL (P3)			
Catalog No.	Height (A)	Width (B)	Depth (C)	Industry Standard	List Price	Catalog No.	Panel Height (D)	Panel Width (E)	List Price
SCE-604ELJ	6.00	4.00	4.00	IS4	41.16	SCE-6P4	5.00	3.00	3.01
SCE-606ELJ	6.00	6.00	4.00	IS4	47.98	SCE-6P6	5.00	5.00	3.61
SCE-806ELJ	8.00	6.00	4.00	IS4	51.88	SCE-8P6	7.00	5.00	4.17
SCE-8066ELJ	8.00	6.00	6.00	IS4	61.48	SCE-8P6	7.00	5.00	4.17
SCE-808ELJ	8.00	8.00	4.00	IS4	63.72	SCE-8P8	7.00	7.00	4.89
SCE-8086ELJ	8.00	8.00	6.00	IS4	68.18	SCE-8P8	7.00	7.00	4.89
SCE-1008ELJ	10.00	8.00	4.00	IS4	70.76	SCE-10P8	9.00	7.00	5.70
SCE-10086ELJ	10.00	8.00	6.00	IS4	79.12	SCE-10P8	9.00	7.00	5.70
SCE-10106ELJ	10.00	10.00	6.00	IS4	83.56	SCE-10P10	9.00	9.00	6.73
SCE-1210ELJ	12.00	10.00	6.00	IS4	86.48	SCE-12P10	11.00	9.00	7.72
SCE-12108ELJ	12.00	10.00	8.00	IS4	98.72	SCE-12P10	11.00	9.00	7.72
SCE-1212ELJ	12.00	12.00	6.00	IS4	100.96	SCE-12P12	11.00	11.00	9.08
SCE-1412ELJ	14.00	12.00	6.00	IS4	111.20	SCE-14P12	13.00	11.00	10.13
SCE-14128ELJ	14.00	12.00	8.00	IS4	118.44	SCE-14P12	13.00	11.00	10.13
SCE-1614ELJ	16.00	14.00	6.00	IS4	130.82	SCE-16P14	15.00	13.00	19.95
SCE-16148ELJ	16.00	14.00	8.00	IS4	143.42	SCE-16P14	15.00	13.00	19.95
SCE-20166ELJ	20.00	16.00	6.00	IS4	151.40	SCE-20P16J	19.00	15.00	30.40
SCE-20168ELJ	20.00	16.00	8.00	IS4	157.76	SCE-20P16J	19.00	15.00	30.40
SCE-201610ELJ	20.00	16.00	10.00	IS4	185.13	SCE-20P16J	19.00	15.00	30.40
SCE-20206ELJ	20.00	20.00	6.00	IS4	168.36	SCE-20P20J	19.00	19.00	35.44
SCE-20208ELJ	20.00	20.00	8.00	IS4	178.20	SCE-20P20J	19.00	19.00	35.44
SCE-202010ELJ	20.00	20.00	10.00	IS4	187.50	SCE-20P20J	19.00	19.00	35.44

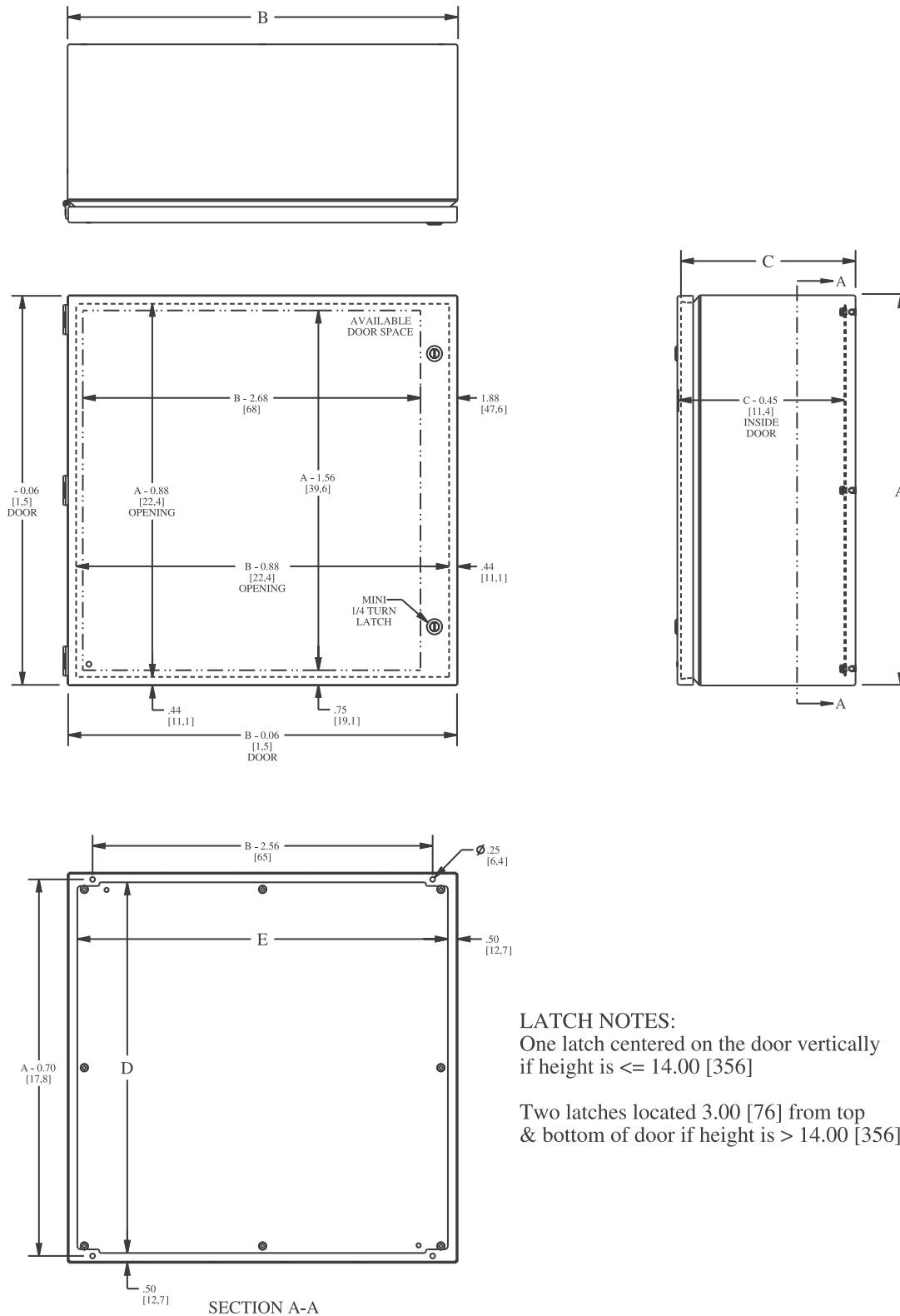


Phone (989) 799-6871
 Fax (989) 799-4524



ENVIROLINE® SERIES JUNCTION ENCLOSURES

TECHNICAL DATA



LATCH NOTES:
 One latch centered on the door vertically if height is ≤ 14.00 [356]
 Two latches located 3.00 [76] from top & bottom of door if height is > 14.00 [356]



Phone (989) 799-6871
 Fax (989) 799-4524

- 1 Operator System Enclosures
- 2 Wall-Mount Enclosures
- 3 Free-Standing & Floor-Mounted Enclosures
- 4 Modular Enclosures
- 5 Operator System Enclosures (Stainless Steel)
- 6 Wall-Mount Enclosures (Stainless Steel)
- 7 Free-Standing & Floor-Mounted Enclosures (Stainless Steel)
- 8 Non-Metallic Enclosures
- 9 Accessories
- 10 Technical Information
- 11 Index

Enviroline® Series Junction Enclosures (RAL 7035)

Application -

Designed to house electrical controls, instruments and components in areas, which may be regularly hosed down or are in very wet or oily conditions. Provides protection from dust, dirt, oil, and water. For installation information, consult our Installation Manual at www.saginawcontrol.com.

Construction -

- 0.063" carbon steel.
- Seams continuously welded and ground smooth.
- Flange trough collar around all sides of door opening.
- Oil-resistant gasket.
- Standoffs provided for mounting optional sub-panels.
- Removable hinge.
- Doors open 180 degrees.
- Black mini quarter turn latches.
- Latches are opened or closed with a screwdriver.
- Sealing washers and hole plugs included.
- Ground stud on door & body.
- Mounting feet included.

Finish -

RAL 7035 gray powder coated inside and out. Optional sub-panels powder coated white.

IS4 - Industry Standards -

NEMA Type 3R, 4, 12 & Type 13
 UL Listed Type 3R, 4 & 12
 CSA Type 3R, 4 & 12
 IEC 60529 IP66

***Special Instructions apply for IS3, IS4 and IS6 to maintain the environmental rating of Type 3R for these parts. See the Special Instructions on the Industry Standards page in the Technical Information Section.

ENVIROLINE® SERIES JUNCTION ENCLOSURES - RAL 7035

ENCLOSURE PRODUCT CODE E1						SUB-PANEL (P3)			
Catalog No.	Height (A)	Width (B)	Depth (C)	Industry Standard	List Price	Catalog No.	Panel Height (D)	Panel Width (E)	List Price
SCE-604ELJLG	6.00	4.00	4.00	IS4	41.16	SCE-6P4	5.00	3.00	3.01
SCE-606ELJLG	6.00	6.00	4.00	IS4	47.98	SCE-6P6	5.00	5.00	3.61
SCE-806ELJLG	8.00	6.00	4.00	IS4	51.88	SCE-8P6	7.00	5.00	4.17
SCE-8066ELJLG	8.00	6.00	6.00	IS4	61.48	SCE-8P6	7.00	5.00	4.17
SCE-808ELJLG	8.00	8.00	4.00	IS4	63.72	SCE-8P8	7.00	7.00	4.89
SCE-8086ELJLG	8.00	8.00	6.00	IS4	68.18	SCE-8P8	7.00	7.00	4.89
SCE-1008ELJLG	10.00	8.00	4.00	IS4	70.76	SCE-10P8	9.00	7.00	5.70
SCE-10086ELJLG	10.00	8.00	6.00	IS4	79.12	SCE-10P8	9.00	7.00	5.70
SCE-10106ELJLG	10.00	10.00	6.00	IS4	83.56	SCE-10P10	9.00	9.00	6.73
SCE-1210ELJLG	12.00	10.00	6.00	IS4	86.48	SCE-12P10	11.00	9.00	7.72
SCE-12108ELJLG	12.00	10.00	8.00	IS4	98.72	SCE-12P10	11.00	9.00	7.72
SCE-1212ELJLG	12.00	12.00	6.00	IS4	100.96	SCE-12P12	11.00	11.00	9.08
SCE-1412ELJLG	14.00	12.00	6.00	IS4	111.20	SCE-14P12	13.00	11.00	10.13
SCE-14128ELJLG	14.00	12.00	8.00	IS4	118.44	SCE-14P12	13.00	11.00	10.13
SCE-1614ELJLG	16.00	14.00	6.00	IS4	130.82	SCE-16P14	15.00	13.00	19.95
SCE-16148ELJLG	16.00	14.00	8.00	IS4	143.42	SCE-16P14	15.00	13.00	19.95
SCE-20166ELJLG	20.00	16.00	6.00	IS4	151.40	SCE-20P16J	19.00	15.00	30.40
SCE-20168ELJLG	20.00	16.00	8.00	IS4	157.76	SCE-20P16J	19.00	15.00	30.40
SCE-201610ELJLG	20.00	16.00	10.00	IS4	185.13	SCE-20P16J	19.00	15.00	30.40
SCE-20206ELJLG	20.00	20.00	6.00	IS4	168.36	SCE-20P20J	19.00	19.00	35.44
SCE-20208ELJLG	20.00	20.00	8.00	IS4	178.20	SCE-20P20J	19.00	19.00	35.44
SCE-202010ELJLG	20.00	20.00	10.00	IS4	187.50	SCE-20P20J	19.00	19.00	35.44

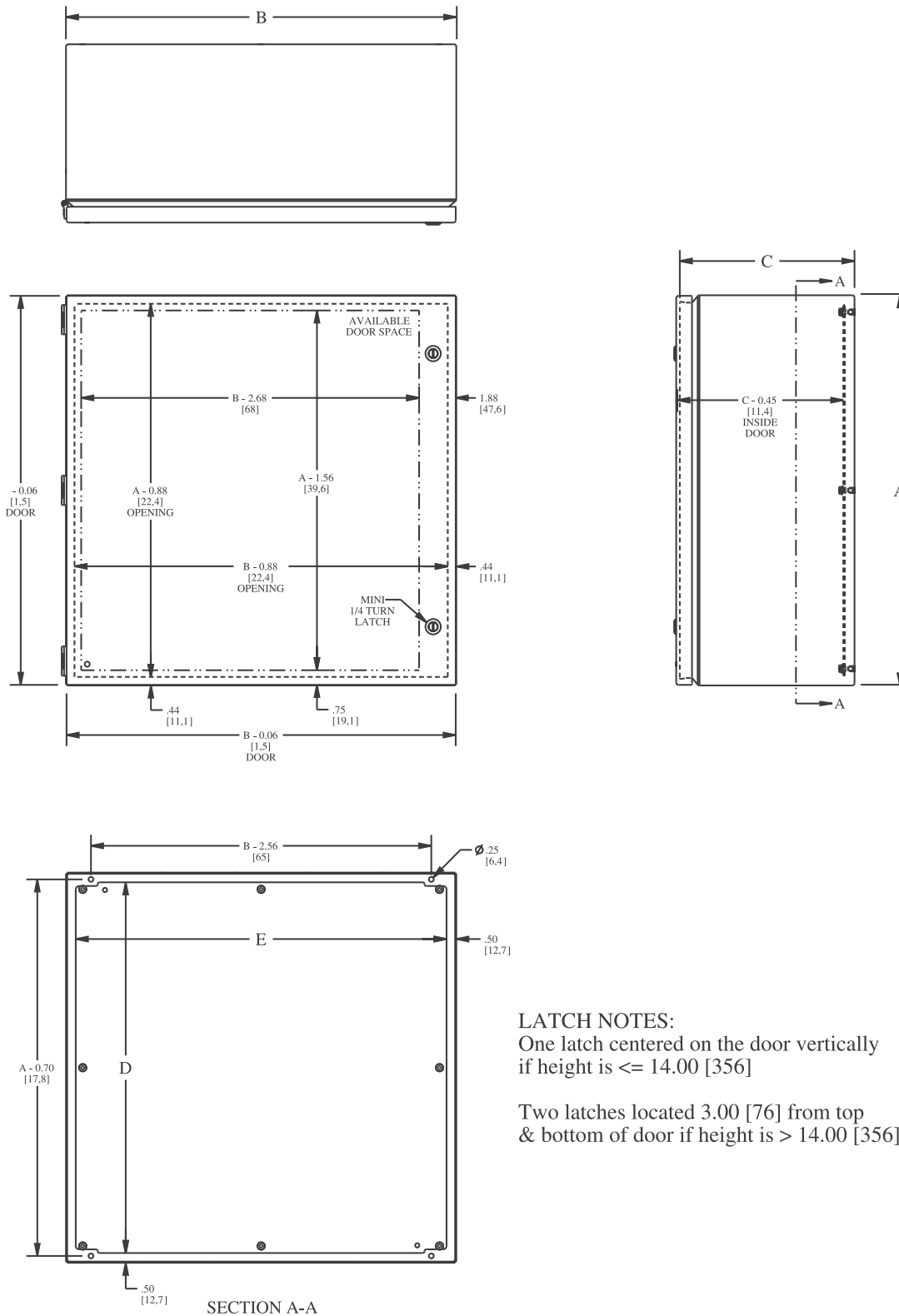


Phone (989) 799-6871
 Fax (989) 799-4524



ENVIROLINE® SERIES JUNCTION ENCLOSURES - RAL 7035

TECHNICAL DATA



LATCH NOTES:
 One latch centered on the door vertically if height is ≤ 14.00 [356]
 Two latches located 3.00 [76] from top & bottom of door if height is > 14.00 [356]



Phone (989) 799-6871
 Fax (989) 799-4524

- 1 Operator System Enclosures
- 2 Wall-Mount Enclosures
- 3 Free-Standing & Floor-Mounted Enclosures
- 4 Modular Enclosures
- 5 Operator System Enclosures (Stainless Steel)
- 6 Wall-Mount Enclosures (Stainless Steel)
- 7 Free-Standing & Floor-Mounted Enclosures (Stainless Steel)
- 8 Non-Metallic Enclosures
- 9 Accessories
- 10 Technical Information
- 11 Index

Enviroline® Series Junction Enclosures with Viewing Window

Application -

Designed to house electrical controls, instruments and components that require unrestricted viewing of the gauges or controls, in areas which may be regularly hosed down or are in very wet or oily conditions. Provides protection from dust, dirt, oil, and water. For installation information, consult our Installation Manual at www.saginawcontrol.com.

Construction -

- 0.063" carbon steel.
- Seams continuously welded and ground smooth.
- Flange trough collar around all sides of door opening.
- Oil-resistant gasket.
- 0.25" polycarbonate viewing window.
- Standoffs provided for mounting optional sub-panels.
- Removable hinge.
- Doors open 180 degrees.
- Black mini quarter turn latches.
- Latches are opened or closed with a screwdriver.
- Sealing washers and hole plugs included.
- Ground stud on door & body.
- Mounting feet included.

Finish -

ANSI-61 gray powder coated inside and out. Optional sub-panels powder coated white.

Notes -

Recommend use as Type 3R rating in full outdoor exposure and extreme weather environments.

For more details see *Design Considerations When Specifying Your Enclosure* on our website.

IS4 - Industry Standards -

- NEMA Type 3R, 4, 12 & Type 13
- UL Listed Type 3R, 4, & 12
- CSA Type 3R, 4 & 12
- IEC 60529 IP66

***Special Instructions apply for IS3, IS4 and IS6 to maintain the environmental rating of Type 3R for these parts. See the Special Instructions on the Industry Standards page in the Technical Information Section.

ENVIROLINE® SERIES JUNCTION ENCLOSURES WITH VIEWING WINDOW

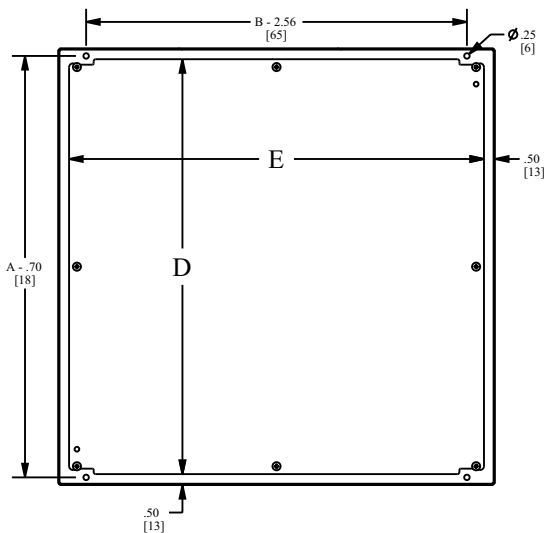
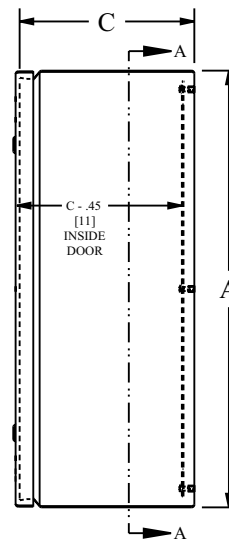
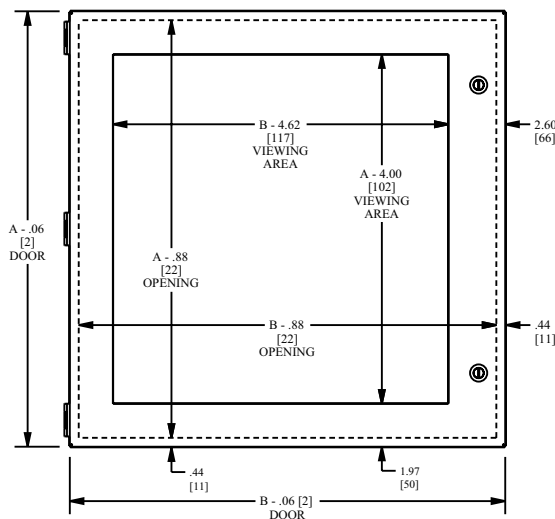
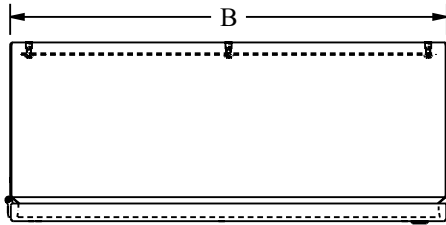
ENCLOSURE PRODUCT CODE E1							SUB-PANEL (P3)	
Catalog No.	Height (A)	Width (B)	Depth (C)	Window Viewing Size	Industry Standard	List Price	Catalog No.	List Price
SCE-1008ELJW	10.00	8.00	4.00	6.00 x 3.375	IS4	119.76	SCE-10P8	5.70
SCE-10086ELJW	10.00	8.00	6.00	6.00 x 3.375	IS4	126.12	SCE-10P8	5.70
SCE-1210ELJW	12.00	10.00	6.00	8.00 x 5.375	IS4	138.48	SCE-12P10	7.72
SCE-12108ELJW	12.00	10.00	8.00	8.00 x 5.375	IS4	150.72	SCE-12P10	7.72
SCE-1614ELJW	16.00	14.00	6.00	12.00 x 9.375	IS4	193.82	SCE-16P14	19.95
SCE-16148ELJW	16.00	14.00	8.00	12.00 x 9.375	IS4	204.42	SCE-16P14	19.95
SCE-20208ELJW	20.00	20.00	8.00	16.00 x 15.375	IS4	242.20	SCE-20P20J	35.44



Phone (989) 799-6871
 Fax (989) 799-4524



ENVIROLINE® SERIES JUNCTION ENCLOSURES WITH VIEWING WINDOW TECHNICAL DATA



SECTION A-A

LATCH NOTES:
One latch centered on the door vertically if height is ≤ 14.00 [356]

Two latches located 3.00 [76] from top & bottom of door if height is > 14.00 [356]



Phone (989) 799-6871
Fax (989) 799-4524

- 1 Operator System Enclosures
- 2 Wall-Mount Enclosures
- 3 Free-Standing & Floor-Mounted Enclosures
- 4 Modular Enclosures
- 5 Operator System Enclosures (Stainless Steel)
- 6 Wall-Mount Enclosures (Stainless Steel)
- 7 Free-Standing & Floor-Mounted Enclosures (Stainless Steel)
- 8 Non-Metallic Enclosures
- 9 Accessories
- 10 Technical Information
- 11 Index

Enviroline® Series Trough Junction Enclosures

Application -

Designed to house electrical controls, instruments and components used in an indoor or outdoor environment to provide a degree of protection for the equipment inside the enclosure against ingress of solid foreign objects (falling dirt); and provide a degree of protection with respect to the harmful effects on the equipment due to the ingress of water (rain, sleet, snow). For installation information, consult our Installation Manual at www.saginawcontrol.com.

Construction -

- 0.063" carbon steel.
- Seams continuously welded and ground smooth.
- Flange trough collar around all sides of door opening.
- Oil-resistant gasket.
- Standoffs provided for mounting optional sub-panels.
- Removable hinges.
- Doors open 180 degrees.
- Black mini quarter turn latches.
- Latches are opened or closed with a screwdriver.
- Sealing washers and hole plugs included.
- Ground stud on door and body.
- Mounting feet included.
- Padlocking or keylocking latches, and tamper-resistant hardware is available.

Finish -

ANSI-61 gray powder coated inside and out. Optional sub-panels powder coated white.

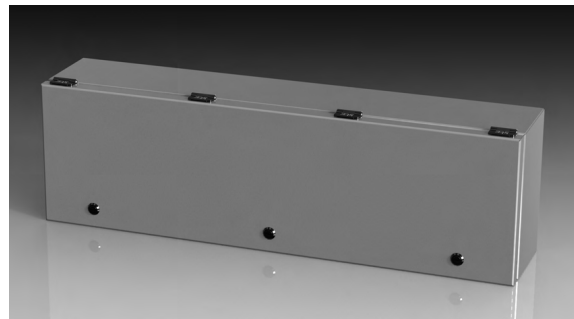
IS4 - Industry Standards -

NEMA Type 3R, 4, 12 & Type 13
 UL Listed Type 3R, 4 & 12
 CSA Type 3R, 4 & 12
 IEC 60529 IP66

***Special Instructions apply for IS3, IS4 and IS6 to maintain the environmental rating of Type 3R for these parts. See the Special Instructions on the Industry Standards page in the Technical Information Section.

ENVIROLINE® SERIES TROUGH JUNCTION ENCLOSURES

ENCLOSURE PRODUCT CODE E1						SUB-PANEL (P3)			
Catalog No.	Height (A)	Width (B)	Depth (C)	Industry Standard	List Price	Catalog No.	Panel Height (D)	Panel Width (E)	List Price
SCE-L9126ELJ	9.00	12.00	6.00	IS4	178.78	SCE-9P12L	8.00	11.00	18.86
SCE-L9128ELJ	9.00	12.00	8.00	IS4	189.51	SCE-9P12L	8.00	11.00	18.86
SCE-L9186ELJ	9.00	18.00	6.00	IS4	180.51	SCE-9P18L	8.00	17.00	26.63
SCE-L9188ELJ	9.00	18.00	8.00	IS4	191.34	SCE-9P18L	8.00	17.00	26.63
SCE-L9246ELJ	9.00	24.00	6.00	IS4	185.82	SCE-9P24L	8.00	23.00	29.14
SCE-L9248ELJ	9.00	24.00	8.00	IS4	196.67	SCE-9P24L	8.00	23.00	29.14
SCE-L9306ELJ	9.00	30.00	6.00	IS4	187.24	SCE-9P30L	8.00	29.00	31.92
SCE-L9308ELJ	9.00	30.00	8.00	IS4	198.47	SCE-9P30L	8.00	29.00	31.92
SCE-L9366ELJ	9.00	36.00	6.00	IS4	191.12	SCE-9P36L	8.00	35.00	34.97
SCE-L9368ELJ	9.00	36.00	8.00	IS4	189.51	SCE-9P36L	8.00	35.00	34.97

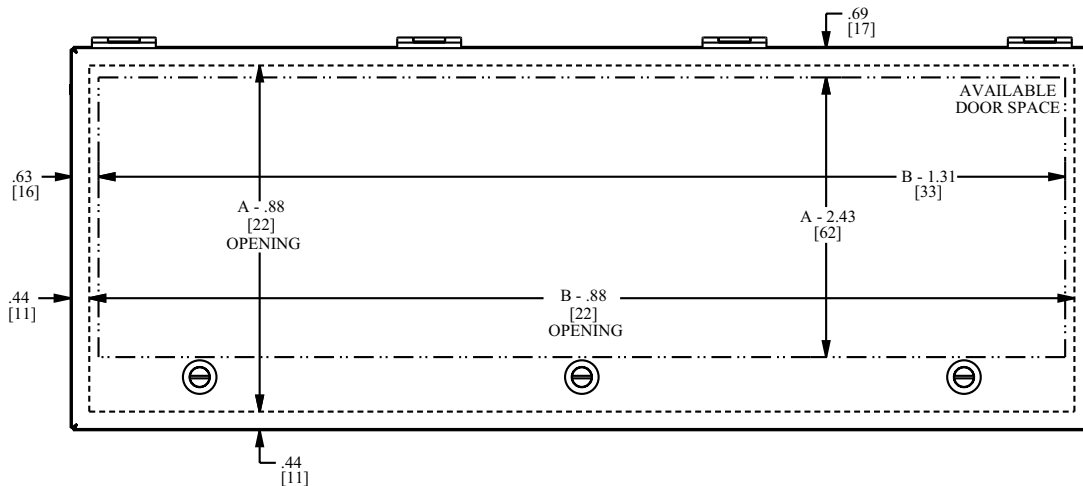
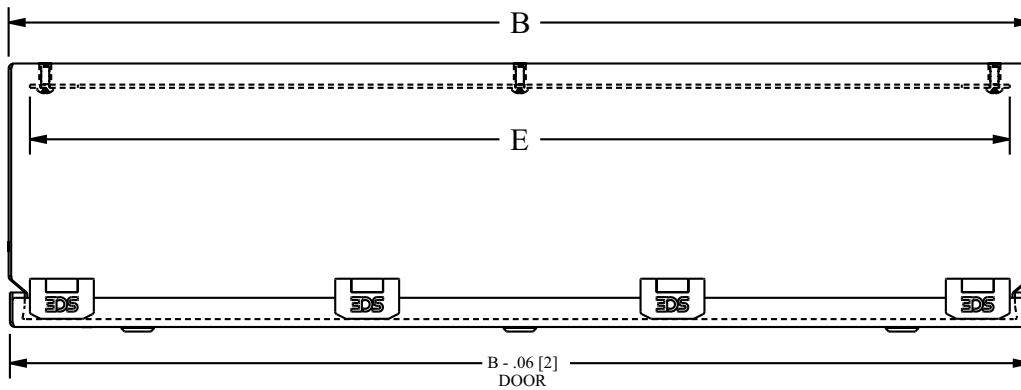


Phone (989) 799-6871
 Fax (989) 799-4524



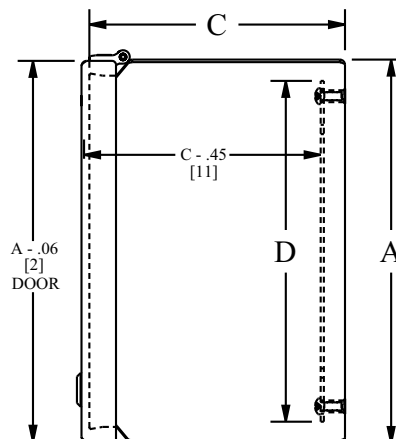
ENVIROLINE® SERIES JUNCTION ENCLOSURES

TECHNICAL DATA



LATCH NOTES:

1. One latch centered on the door horizontally if width is ≤ 14.00 [356]
2. Two latches located 3.00 [76] from sides of door if width is > 14.00 [356]
3. An additional latch is centered horizontally if width is > 20.00 [508]



Enviroline® Series Trough Junction Enclosures with Viewing Window

Application -

Designed to house electrical controls, instruments and components used in an indoor or outdoor environment to provide a degree of protection for the equipment inside the enclosure against ingress of solid foreign objects (falling dirt); and provide a degree of protection with respect to the harmful effects on the equipment due to the ingress of water (rain, sleet, snow). For installation information, consult our Installation Manual at www.saginawcontrol.com.

Construction -

- 0.063" carbon steel.
- Seams continuously welded and ground smooth.
- Flange trough collar around all sides of door opening.
- Large viewing windows.
- Oil-resistant gasket.
- Standoffs provided for mounting optional sub-panels.
- Removable hinges.
- Doors open 180 degrees.
- Black mini quarter turn latches.
- Latches are opened or closed with a screwdriver.
- Sealing washers and hole plugs included.
- Ground stud on door and body.
- Mounting feet included.
- Padlocking or keylocking latches, and tamper-resistant hardware is available.

Finish -

ANSI-61 gray powder coated inside and out. Optional sub-panels powder coated white.

Notes -

Recommend use as Type 3R rating in full outdoor exposure and extreme weather environments.

For more details see *Design Considerations When Specifying Your Enclosure* on our website.

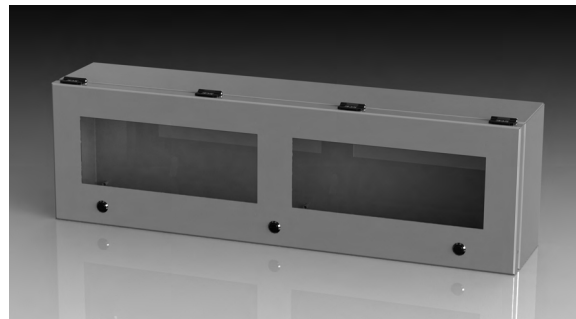
IS4 - Industry Standards -

NEMA Type 3R, 4, 12 & Type 13
 UL Listed Type 3R, 4, & 12
 CSA Type 3R, 4 & 12
 IEC 60529 IP66

***Special Instructions apply for IS3, IS4 and IS6 to maintain the environmental rating of Type 3R for these parts. See the Special Instructions on the Industry Standards page in the Technical Information Section.

ENVIROLINE® SERIES TROUGH JUNCTION ENCLOSURES WITH VIEWING WINDOW

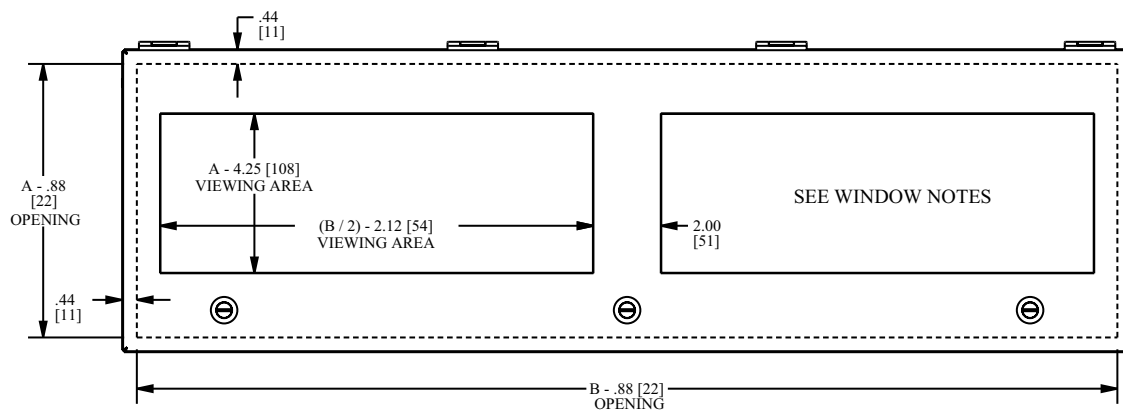
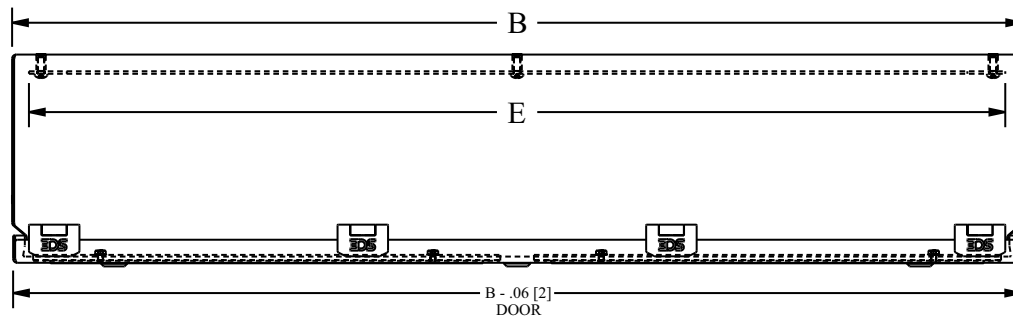
ENCLOSURE PRODUCT CODE E1						SUB-PANEL PRODUCT CODE (P3)			
Catalog No.	Height (A)	Width (B)	Depth (C)	Industry Standard	List Price	Catalog No.	Panel Height (D)	Panel Width (E)	List Price
SCE-L9126ELJW	9.00	12.00	6.00	IS4	275.71	SCE-9P12L	8.00	11.00	18.86
SCE-L9128ELJW	9.00	12.00	8.00	IS4	292.25	SCE-9P12L	8.00	11.00	18.86
SCE-L9186ELJW	9.00	18.00	6.00	IS4	278.67	SCE-9P18L	8.00	17.00	26.63
SCE-L9188ELJW	9.00	18.00	8.00	IS4	295.39	SCE-9P18L	8.00	17.00	26.63
SCE-L9246ELJW	9.00	24.00	6.00	IS4	303.78	SCE-9P24L	8.00	23.00	29.14
SCE-L9248ELJW	9.00	24.00	8.00	IS4	322.01	SCE-9P24L	8.00	23.00	29.14
SCE-L9306ELJW	9.00	30.00	6.00	IS4	306.94	SCE-9P30L	8.00	29.00	31.92
SCE-L9308ELJW	9.00	30.00	8.00	IS4	325.36	SCE-9P30L	8.00	29.00	31.92
SCE-L9366ELJW	9.00	36.00	6.00	IS4	309.80	SCE-9P36L	8.00	35.00	34.97
SCE-L9368ELJW	9.00	36.00	8.00	IS4	328.39	SCE-9P36L	8.00	35.00	34.97



Phone (989) 799-6871
 Fax (989) 799-4524



ENVIROLINE® SERIES TROUGH JUNCTION ENCLOSURES WITH VIEWING WINDOW TECHNICAL DATA

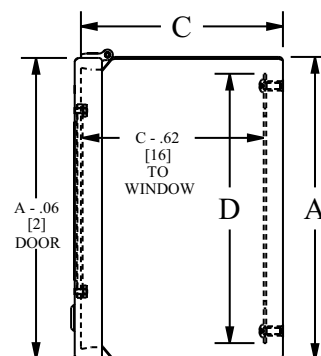


LATCH NOTES:

1. One latch centered on the door horizontally if width is ≤ 14.00 [356]
2. Two latches located 3.00 [76] from sides of door if width is > 14.00 [356]
3. An additional latch is centered horizontally if width is > 20.00 [508]

WINDOW NOTES:

1. Door has a single window when viewing area width is ≤ 16.00 [406].
2. Door has two windows if viewing area width would be > 16.00 [406] for a single window.



Continuous Hinge Enclosures

Application -

Designed for use as electrical junction boxes, terminal wiring boxes, instrument housings, and electrical control enclosures. Provides protection from dust, dirt, oil and water. For installation information, consult our Installation Manual at www.saginawcontrol.com.

Construction -

- 0.063" carbon steel.
- Seams continuously welded and ground smooth, no holes or knockouts.
- Bolt-on continuous hinge with stainless steel pin.
- Stainless steel external screw clamps are quick and easy to operate.
- Oil resistant gasket.
- Standoffs provided for mounting optional sub-panels.
- Welded mounting provision top and bottom of back.
- Ground stud on door and body.

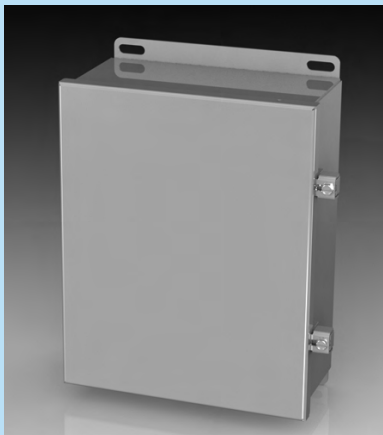
Finish -

ANSI-61 gray powder coated inside and out. Optional sub-panels powder coated white.

IS4 - Industry Standards -

NEMA Type 3R, 4, 12 & Type 13
 UL Listed Type 3R, 4 & 12
 CSA Type 3R, 4 & 12
 IEC 60529 IP66

***Special Instructions apply for IS3, IS4 and IS6 to maintain the environmental rating of Type 3R for these parts. See the Special Instructions on the Industry Standards page in the Technical Information Section.



CONTINUOUS HINGE ENCLOSURES

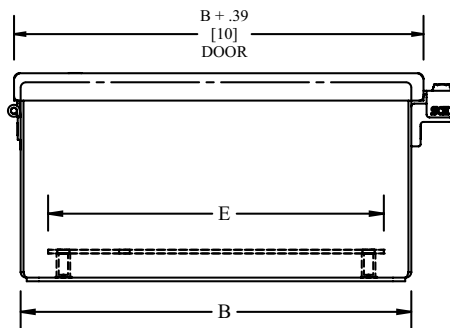
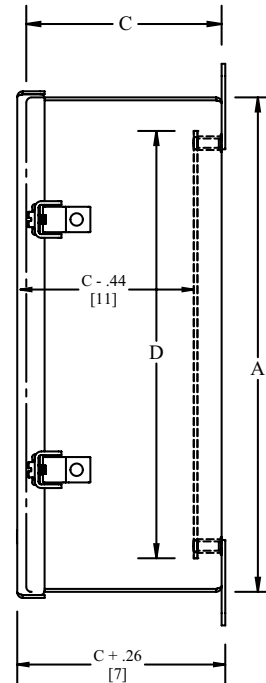
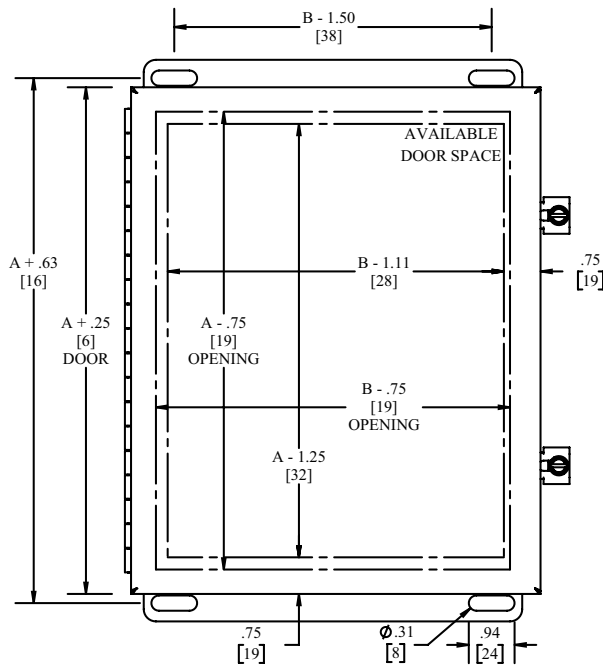
ENCLOSURE PRODUCT CODE A1						SUB-PANEL (P3)			
Catalog No.	Height (A)	Width (B)	Depth (C)	Industry Standard	List Price	Catalog No.	Panel Height (D)	Panel Width (E)	List Price
SCE-404CHNF	4.13	4.00	3.00	IS4	37.68	No Panel			
SCE-4044CHNF	4.13	4.00	4.00	IS4	38.97	No Panel			
SCE-604CHNF	6.13	4.00	3.00	IS4	42.36	SCE-6P4	5.00	3.00	3.01
SCE-6044CHNF	6.13	4.00	4.00	IS4	45.48	SCE-6P4	5.00	3.00	3.01
SCE-606CHNF	6.13	6.00	4.00	IS4	49.37	SCE-6P6	5.00	5.00	3.61
SCE-806CHNF	8.13	6.00	3.50	IS4	53.27	SCE-8P6	7.00	5.00	4.17
SCE-8066CHNF	8.13	6.00	6.00	IS4	62.66	SCE-8P6	7.00	5.00	4.17
SCE-808CHNF	8.13	8.00	4.00	IS4	59.78	SCE-8P8	7.00	7.00	4.89
SCE-8086CHNF	8.13	8.00	6.00	IS4	68.69	SCE-8P8	7.00	7.00	4.89
SCE-1008CHNF	10.13	8.00	4.00	IS4	69.39	SCE-10P8	9.00	7.00	5.70
SCE-1008CHSNF	10.13	8.00	4.00	IS4	73.30	SCE-10P8	9.00	7.00	5.70
SCE-10086CHNF	10.13	8.00	6.00	IS4	79.24	SCE-10P8	9.00	7.00	5.70
SCE-10106CHNF	10.13	10.00	6.00	IS4	80.55	SCE-10P10	9.00	9.00	6.73
SCE-12064CHNF	12.13	6.00	4.00	IS4	63.66	SCE-12P6	11.00	5.00	5.35
SCE-1210CHNF	12.13	10.00	5.00	IS4	87.29	SCE-12P10	11.00	9.00	7.72
SCE-1210CHSNF	12.13	10.00	5.00	IS4	89.33	SCE-12P10	11.00	9.00	7.72
SCE-12106CHNF	12.13	10.00	6.00	IS4	91.96	SCE-12P10	11.00	9.00	7.72
SCE-12108CHNF	12.13	10.00	8.00	IS4	98.74	SCE-12P10	11.00	9.00	7.72
SCE-1212CHNF	12.13	12.00	6.00	IS4	101.32	SCE-12P12	11.00	11.00	9.08
SCE-14086CHNF	14.13	8.00	6.00	IS4	87.06	SCE-14P8	13.00	7.00	7.39
SCE-1412CHNF	14.13	12.00	6.00	IS4	112.50	SCE-14P12	13.00	11.00	10.13
SCE-1412CHSNF	14.13	12.00	6.00	IS4	118.13	SCE-14P12	13.00	11.00	10.13
SCE-14128CHNF	14.13	12.00	8.00	IS4	119.01	SCE-14P12	13.00	11.00	10.13
SCE-16106CHNF	16.13	10.00	6.00	IS4	102.65	SCE-16P10	15.00	9.00	9.90
SCE-1614CHNF	16.13	14.00	6.00	IS4	131.71	SCE-16P14	15.00	13.00	19.95
SCE-1614CHSNF	16.13	14.00	6.00	IS4	138.30	SCE-16P14	15.00	13.00	19.95
SCE-16148CHNF	16.13	14.00	8.00	IS4	143.66	SCE-16P14	15.00	13.00	19.95
SCE-161410CHNF	16.13	14.00	10.00	IS4	150.70	SCE-16P14	15.00	13.00	19.95

Catalog numbers containing an "S" are hinged on the short side.

Phone (989) 799-6871
 Fax (989) 799-4524



CONTINUOUS HINGE ENCLOSURES TECHNICAL DATA



NOTE:
SUB-PANEL MUST BE ORDERED SEPARATELY.

CLAMPING NOTE:
ENCLOSURES < 10.00 [254] IN HEIGHT REQUIRE
ONE CLAMP CENTERED VERTICALLY ON DOOR.



Phone (989) 799-6871
Fax (989) 799-4524

Screw Cover Enclosures

Application -

Designed for use as electrical junction boxes, terminal wiring boxes, instrument housings, and electrical control enclosures. Provides protection from dust, oil and water. For installation information, consult our Installation Manual at www.saginawcontrol.com.

Construction -

- 0.063" carbon steel.
- Seams continuously welded and ground smooth, no holes or knockouts.
- Captivated cover screws thread into sealed wells.
- Oil resistant gasket.
- Standoffs provided for mounting optional sub-panels.

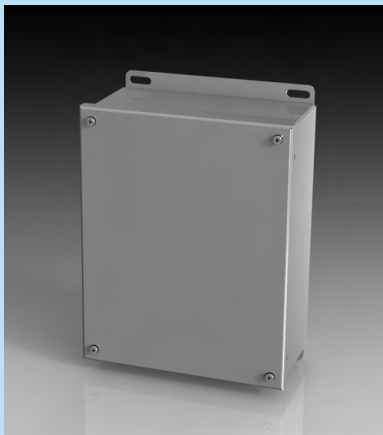
Finish -

ANSI-61 gray powder coated inside and out. Optional sub-panels powder coated white.

IS4 - Industry Standards -

NEMA Type 3R, 4, 12 & Type 13
 UL Listed Type 3R, 4 & 12
 CSA Type 3R, 4 & 12
 IEC 60529 IP66

***Special Instructions apply for IS3, IS4 and IS6 to maintain the environmental rating of Type 3R for these parts. See the Special Instructions on the Industry Standards page in the Technical Information Section.



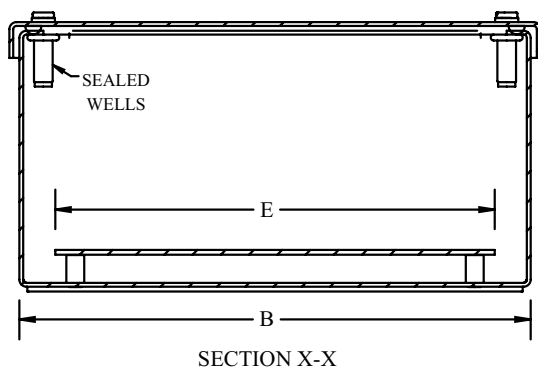
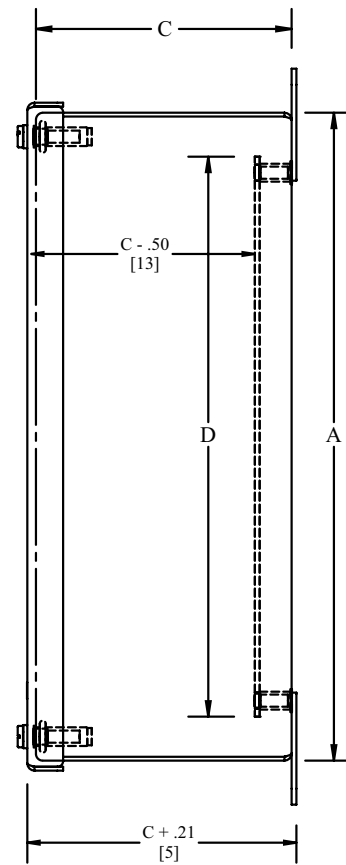
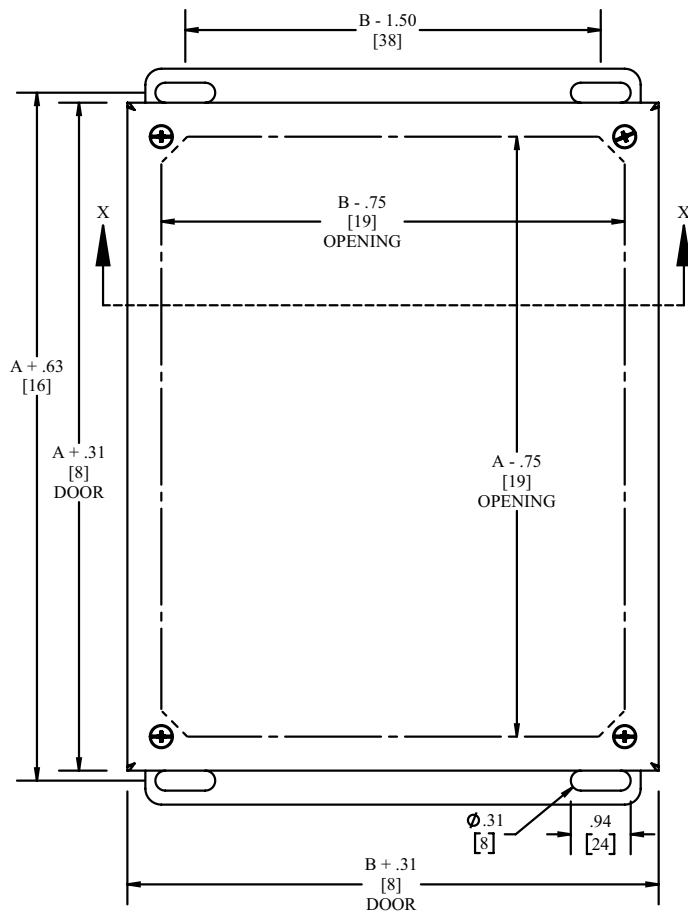
SCREW COVER ENCLOSURES

ENCLOSURE PRODUCT CODE A1						SUB-PANEL (P3)			
Catalog No.	Height (A)	Width (B)	Depth (C)	Industry Standard	List Price	Catalog No.	Panel Height (D)	Panel Width (E)	List Price
SCE-404SC	4.13	4.00	3.00	IS4	37.62	No Panel			
SCE-4044SC	4.13	4.00	4.00	IS4	37.62	No Panel			
SCE-604SC	6.13	4.00	3.00	IS4	42.64	SCE-6P4	5.00	3.00	3.01
SCE-6044SC	6.13	4.00	4.00	IS4	47.65	SCE-6P4	5.00	3.00	3.01
SCE-606SC	6.13	6.00	4.00	IS4	50.17	SCE-6P6	5.00	5.00	3.61
SCE-806SC	8.13	6.00	3.50	IS4	52.68	SCE-8P6	7.00	5.00	4.17
SCE-8066SC	8.13	6.00	6.00	IS4	60.19	SCE-8P6	7.00	5.00	4.17
SCE-808SC	8.13	8.00	4.00	IS4	60.19	SCE-8P8	7.00	7.00	4.89
SCE-1008SC	10.13	8.00	4.00	IS4	65.22	SCE-10P8	9.00	7.00	5.70
SCE-10086SC	10.13	8.00	6.00	IS4	73.99	SCE-10P8	9.00	7.00	5.70
SCE-1010SC	10.13	10.00	4.00	IS4	72.73	SCE-10P10	9.00	9.00	6.73
SCE-10106SC	10.13	10.00	6.00	IS4	81.51	SCE-10P10	9.00	9.00	6.73
SCE-1210SC	12.13	10.00	5.00	IS4	82.76	SCE-12P10	11.00	9.00	7.72
SCE-121010SC	12.13	10.00	10.00	IS4	125.41	SCE-12P10	11.00	9.00	7.72
SCE-1212SC	12.13	12.00	6.00	IS4	96.56	SCE-12P12	11.00	11.00	9.08
SCE-1412SC	14.13	12.00	6.00	IS4	105.34	SCE-14P12	13.00	11.00	10.13
SCE-1614SC	16.13	14.00	6.00	IS4	122.89	SCE-16P14	15.00	13.00	19.95

Phone (989) 799-6871
 Fax (989) 799-4524



SCREW COVER ENCLOSURES TECHNICAL DATA



NOTE:
SUB-PANEL SOLD SEPARATELY



Phone (989) 799-6871
Fax (989) 799-4524

- 1 Operator System Enclosures
- 2 Wall-Mount Enclosures
- 3 Free-Standing & Floor-Mounted Enclosures
- 4 Modular Enclosures
- 5 Operator System Enclosures (Stainless Steel)
- 6 Wall-Mount Enclosures (Stainless Steel)
- 7 Free-Standing & Floor-Mounted Enclosures (Stainless Steel)
- 8 Non-Metallic Enclosures
- 9 Accessories
- 10 Technical Information
- 11 Index

Enviroline® Series Single-Door Enclosures

Application -

Designed to house electrical and electronic controls, instruments and components. Provides protection from dust, oil and water. For outdoor application a drip shield is recommended. For installation information, consult our Installation Manual at www.saginawcontrol.com.

Construction -

- 0.075" carbon steel.
- Seams continuously welded and ground smooth.
- Flange trough collar around all sides of door opening.
- Oil-resistant gasket.
- Collar studs provided for mounting optional sub-panels.
- Concealed hinges.
- Removable and interchangeable doors.
- Black quarter turn latches.
- Latches are opened or closed with a screwdriver.
- Mounting holes in back of enclosure.
- Mounting hardware, sealing washers and hole plugs included.
- Removable print pocket furnished if height and width of enclosure is greater than 12".
- Ground studs on door and body.
- Provision for Lifting Lugs included on enclosures with Height >48" and with Depth >16". Lifting Lug assembly included with the enclosure bolt pack.

Options -

- Optional tamper-resistant inserts available.
- Optional mounting feet available.
- Door hardware available.

Finish -

ANSI-61 gray powder coated inside and out. Optional sub-panels powder coated white.

Notes -

Interchangeable latches and handles available in the accessory section.

IS4 - Industry Standards -

NEMA Type 3R, 4, 12 & Type 13
 UL Listed Type 3R, 4 & 12
 CSA Type 3R, 4 & 12
 IEC 60529 IP66

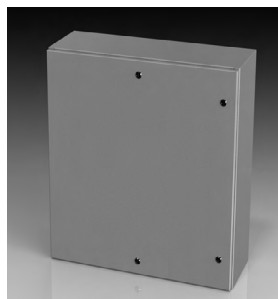
***Special Instructions apply for IS3, IS4 and IS6 to maintain the environmental rating of Type 3R for these parts. See the Special Instructions on the Industry Standards page in the Technical Information Section.

ENVIROLINE® SERIES SINGLE-DOOR ENCLOSURES

ENCLOSURE PRODUCT CODE E3						SUB-PANEL (P3)			
Catalog No.	Height (A)	Width (B)	Depth (C)	Industry Standard	List Price	Catalog No.	Panel Height (D)	Panel Width (E)	List Price
SCE-12EL1206LP	12.00	12.00	6.00	IS4	183.29	SCE-12DLP12	9.00	9.00	13.67
SCE-12EL2406LP	12.00	24.00	6.00	IS4	218.97	SCE-12P24	9.00	21.00	27.86
SCE-12EL2408LP	12.00	24.00	8.00	IS4	239.11	SCE-12P24	9.00	21.00	27.86
SCE-16EL1206LP	16.00	12.00	6.00	IS4	194.36	SCE-16P12	13.00	9.00	14.81
SCE-16EL1208LP	16.00	12.00	8.00	IS4	205.44	SCE-16P12	13.00	9.00	14.81
SCE-16EL1408LP	16.00	14.00	8.00	IS4	211.59	SCE-16DLP14	13.00	11.00	17.72
SCE-16EL1606LP	16.00	16.00	6.00	IS4	210.37	SCE-16P16	13.00	13.00	24.57
SCE-16EL1608LP	16.00	16.00	8.00	IS4	234.97	SCE-16P16	13.00	13.00	24.57
SCE-16EL2006LP	16.00	20.00	6.00	IS4	236.19	SCE-20P16	17.00	13.00	30.37
SCE-16EL2008LP	16.00	20.00	8.00	IS4	237.42	SCE-20P16	17.00	13.00	30.37
SCE-20EL1206LP	20.00	12.00	6.00	IS4	209.13	SCE-20P12	17.00	9.00	23.14
SCE-20EL1606LP	20.00	16.00	6.00	IS4	225.12	SCE-20P16	17.00	13.00	30.37
SCE-20EL1608LP	20.00	16.00	8.00	IS4	237.42	SCE-20P16	17.00	13.00	30.37
SCE-20EL1610LP	20.00	16.00	10.00	IS4	252.38	SCE-20P16	17.00	13.00	30.37
SCE-20EL1612LP	20.00	16.00	12.00	IS4	263.25	SCE-20P16	17.00	13.00	30.37
SCE-20EL2006LP	20.00	20.00	6.00	IS4	242.34	SCE-20P20	17.00	17.00	35.44
SCE-20EL2008LP	20.00	20.00	8.00	IS4	255.87	SCE-20P20	17.00	17.00	35.44
SCE-20EL2010LP	20.00	20.00	10.00	IS4	270.07	SCE-20P20	17.00	17.00	35.44
SCE-20EL2012LP	20.00	20.00	12.00	IS4	284.17	SCE-20P20	17.00	17.00	35.44
SCE-20EL2408LP	20.00	24.00	8.00	IS4	275.56	SCE-24P20	21.00	17.00	45.57
SCE-24EL1206LP	24.00	12.00	6.00	IS4	218.97	SCE-12P24	9.00	21.00	27.86
SCE-24EL1606LP	24.00	16.00	6.00	IS4	239.89	SCE-24P16	21.00	13.00	32.92
SCE-24EL1608LP	24.00	16.00	8.00	IS4	253.42	SCE-24P16	21.00	13.00	32.92
SCE-24EL2006LP	24.00	20.00	6.00	IS4	260.80	SCE-24P20	21.00	17.00	45.57
SCE-24EL2008LP	24.00	20.00	8.00	IS4	275.56	SCE-24P20	21.00	17.00	45.57
SCE-24EL2010LP	24.00	20.00	10.00	IS4	292.78	SCE-24P20	21.00	17.00	45.57
SCE-24EL2012LP	24.00	20.00	12.00	IS4	307.54	SCE-24P20	21.00	17.00	45.57
SCE-24EL2016LP	24.00	20.00	16.00	IS4	337.06	SCE-24P20	21.00	17.00	45.57
SCE-24EL2406LP	24.00	24.00	6.00	IS4	281.71	SCE-24P24	21.00	21.00	53.18
SCE-24EL2408LP	24.00	24.00	8.00	IS4	297.70	SCE-24P24	21.00	21.00	53.18
SCE-24EL2410LP	24.00	24.00	10.00	IS4	314.93	SCE-24P24	21.00	21.00	53.18
SCE-24EL2412LP	24.00	24.00	12.00	IS4	329.69	SCE-24P24	21.00	21.00	53.18
SCE-24EL2416LP	24.00	24.00	16.00	IS4	362.90	SCE-24P24	21.00	21.00	53.18
SCE-24EL3008LP	24.00	30.00	8.00	IS4	329.69	SCE-30P24	27.00	21.00	63.29
SCE-24EL3010LP	24.00	30.00	10.00	IS4	355.51	SCE-30P24	27.00	21.00	63.29
SCE-24EL3012LP	24.00	30.00	12.00	IS4	380.54	SCE-30P24	27.00	21.00	63.29
SCE-30EL1606LP	30.00	16.00	6.00	IS4	263.25	SCE-30P16	27.00	13.00	45.57
SCE-30EL2008LP	30.00	20.00	8.00	IS4	303.85	SCE-30P20	27.00	17.00	55.70
SCE-30EL2010LP	30.00	20.00	10.00	IS4	319.84	SCE-30P20	27.00	17.00	55.70
SCE-30EL2406LP	30.00	24.00	6.00	IS4	309.63	SCE-30P24	27.00	21.00	63.29
SCE-30EL2408LP	30.00	24.00	8.00	IS4	329.69	SCE-30P24	27.00	21.00	63.29
SCE-30EL2410LP	30.00	24.00	10.00	IS4	355.51	SCE-30P24	27.00	21.00	63.29
SCE-30EL2412LP	30.00	24.00	12.00	IS4	366.59	SCE-30P24	27.00	21.00	63.29
SCE-30EL2416LP	30.00	24.00	16.00	IS4	404.72	SCE-30P24	27.00	21.00	63.29
SCE-30EL2420LP	30.00	24.00	20.00	IS4	441.62	SCE-30P24	27.00	21.00	63.29
SCE-30EL2424LP	30.00	24.00	24.00	IS4	478.53	SCE-30P24	27.00	21.00	63.29
SCE-30EL3008LP	30.00	30.00	8.00	IS4	369.05	SCE-30P30	27.00	27.00	83.55
SCE-30EL3010LP	30.00	30.00	10.00	IS4	410.87	SCE-30P30	27.00	27.00	83.55
SCE-30EL3012LP	30.00	30.00	12.00	IS4	423.17	SCE-30P30	27.00	27.00	83.55
SCE-30EL3608LP	30.00	36.00	8.00	IS4	408.42	SCE-36P30	33.00	27.00	101.27
SCE-36EL2408LP	36.00	24.00	8.00	IS4	362.90	SCE-36P24	33.00	21.00	75.96
SCE-36EL2410LP	36.00	24.00	10.00	IS4	392.42	SCE-36P24	33.00	21.00	75.96
SCE-36EL2412LP	36.00	24.00	12.00	IS4	404.72	SCE-36P24	33.00	21.00	75.96

ENVIROLINE® SERIES SINGLE-DOOR ENCLOSURES

ENCLOSURE PRODUCT CODE E3						SUB-PANEL (P3)			
Catalog No.	Height (A)	Width (B)	Depth (C)	Industry Standard	List Price	Catalog No.	Panel Height (D)	Panel Width (E)	List Price
SCE-36EL2416LP	36.00	24.00	16.00	IS4	418.25	SCE-36P24	33.00	21.00	75.96
SCE-36EL3008LP	36.00	30.00	8.00	IS4	408.42	SCE-36P30	33.00	27.00	101.27
SCE-36EL3010LP	36.00	30.00	10.00	IS4	435.47	SCE-36P30	33.00	27.00	101.27
SCE-36EL3012LP	36.00	30.00	12.00	IS4	452.70	SCE-36P30	33.00	27.00	101.27
SCE-36EL3016LP	36.00	30.00	16.00	IS4	498.22	SCE-36P30	33.00	27.00	101.27
SCE-36EL3020LP	36.00	30.00	20.00	IS4	542.51	SCE-36P30	33.00	27.00	101.27
SCE-36EL3608LP	36.00	36.00	8.00	IS4	452.70	SCE-36P36	33.00	33.00	118.99
SCE-36EL3610LP	36.00	36.00	10.00	IS4	488.77	SCE-36P36	33.00	33.00	118.99
SCE-36EL3612LP	36.00	36.00	12.00	IS4	501.91	SCE-36P36	33.00	33.00	118.99
SCE-36EL3616LP	36.00	36.00	16.00	IS4	551.11	SCE-36P36	33.00	33.00	118.99
SCE-40EL2412LP	40.00	24.00	12.00	IS4	428.10	SCE-40P24	37.00	21.00	86.08
SCE-42EL2410LP	42.00	24.00	10.00	IS4	457.63	SCE-42P24	39.00	21.00	91.14
SCE-42EL3008LP	42.00	30.00	8.00	IS4	449.01	SCE-42P30	39.00	27.00	116.47
SCE-42EL3010LP	42.00	30.00	10.00	IS4	471.15	SCE-42P30	39.00	27.00	116.47
SCE-42EL3012LP	42.00	30.00	12.00	IS4	496.98	SCE-42P30	39.00	27.00	116.47
SCE-42EL3016LP	42.00	30.00	16.00	IS4	528.98	SCE-42P30	39.00	27.00	116.47
SCE-42EL3608LP	42.00	36.00	8.00	IS4	499.46	SCE-42P36	39.00	33.00	136.72
SCE-42EL3610LP	42.00	36.00	10.00	IS4	524.06	SCE-42P36	39.00	33.00	136.72
SCE-42EL3612LP	42.00	36.00	12.00	IS4	551.11	SCE-42P36	39.00	33.00	136.72
SCE-42EL3616LP	42.00	36.00	16.00	IS4	605.24	SCE-42P36	39.00	33.00	136.72
SCE-48EL2408LP	48.00	24.00	8.00	IS4	429.32	SCE-48P24	45.00	21.00	98.74
SCE-48EL2412LP	48.00	24.00	12.00	IS4	477.30	SCE-48P24	45.00	21.00	98.74
SCE-48EL3008LP	48.00	30.00	8.00	IS4	498.72	SCE-48P30	45.00	27.00	129.13
SCE-48EL3010LP	48.00	30.00	10.00	IS4	512.98	SCE-48P30	45.00	27.00	129.13
SCE-48EL3012LP	48.00	30.00	12.00	IS4	541.30	SCE-48P30	45.00	27.00	129.13
SCE-48EL3016LP	48.00	30.00	16.00	IS4	574.49	SCE-48P30	45.00	27.00	129.13
SCE-48EL3608LP	48.00	36.00	8.00	IS4	542.51	SCE-48P36	45.00	33.00	154.46
SCE-48EL3610LP	48.00	36.00	10.00	IS4	573.27	SCE-48P36	45.00	33.00	154.46
SCE-48EL3612LP	48.00	36.00	12.00	IS4	600.33	SCE-48P36	45.00	33.00	154.46
SCE-48EL3616LP	48.00	36.00	16.00	IS4	658.14	SCE-48P36	45.00	33.00	154.46
SCE-48EL3620LP	48.00	36.00	20.00	IS4	715.97	SCE-48P36	45.00	33.00	154.46
SCE-60EL2412LP	60.00	24.00	12.00	IS4	551.11	SCE-60P24	57.00	21.00	129.13
SCE-60EL3608LP	60.00	36.00	8.00	IS4	649.48	SCE-60P36	57.00	33.00	189.89
SCE-60EL3610LP	60.00	36.00	10.00	IS4	667.98	SCE-60P36	57.00	33.00	189.89
SCE-60EL3612LP	60.00	36.00	12.00	IS4	698.74	SCE-60P36	57.00	33.00	189.89
SCE-60EL3616LP	60.00	36.00	16.00	IS4	765.17	SCE-60P36	57.00	33.00	189.89
SCE-60EL3620LP	60.00	36.00	20.00	IS4	832.83	SCE-60P36	57.00	33.00	189.89
SCE-60EL3624LP	60.00	36.00	24.00	IS4	1,127.62	SCE-60P36	57.00	33.00	189.89
SCE-72EL3012LP	72.00	30.00	12.00	IS4	749.18	SCE-72P30	69.00	27.00	210.15
SCE-72EL3016LP	72.00	30.00	16.00	IS4	856.21	SCE-72P30	69.00	27.00	210.15
SCE-72EL3024LP	72.00	30.00	24.00	IS4	941.08	SCE-72P30	69.00	27.00	210.15
SCE-72EL3612LP	72.00	36.00	12.00	IS4	799.62	SCE-72P36	69.00	33.00	225.33
SCE-72EL3616LP	72.00	36.00	16.00	IS4	910.33	SCE-72P36	69.00	33.00	225.33
SCE-72EL3624LP	72.00	36.00	24.00	IS4	1,293.50	SCE-72P36	69.00	33.00	225.33



Enviroline® Series Single-Door Enclosures

Application -

Designed to house electrical and electronic controls, instruments and components. Provides protection from dust, oil and water. For outdoor application a drip shield is recommended. For installation information, consult our Installation Manual at www.saginawcontrol.com.

Construction -

- 0.075" carbon steel.
- Seams continuously welded and ground smooth.
- Flange trough collar around all sides of door opening.
- Oil-resistant gasket.
- Collar studs provided for mounting optional sub-panels.
- Concealed hinges.
- Removable and interchangeable doors.
- Black quarter turn latches.
- Latches are opened or closed with a screwdriver.
- Mounting holes in back of enclosure.
- Mounting hardware, sealing washers and hole plugs included.
- Removable print pocket furnished if height and width of enclosure is greater than 12".
- Ground studs on door and body.
- Provision for Lifting Lugs included on enclosures with Height >48" and with Depth >16". Lifting Lug assembly included with the enclosure bolt pack.

Options -

- Optional tamper-resistant inserts available.
- Optional mounting feet available.
- Door hardware available.

Finish -

ANSI-61 gray powder coated inside and out. Optional sub-panels powder coated white.

Notes -

Interchangeable latches and handles available in the accessory section.

IS4 - Industry Standards -

NEMA Type 3R, 4, 12 & Type 13
UL Listed Type 3R, 4 & 12
CSA Type 3R, 4 & 12
IEC 60529 IP66

***Special Instructions apply for IS3, IS4 and IS6 to maintain the environmental rating of Type 3R for these parts. See the Special Instructions on the Industry Standards page in the Technical Information Section.



Phone (989) 799-6871
Fax (989) 799-4524

Enviroline® Series Single-Door Enclosures (RAL 7035)

Application -

Designed to house electrical and electronic controls, instruments and components. Provides protection from dust, oil and water. For outdoor application a drip shield is recommended. For installation information, consult our Installation Manual at www.saginawcontrol.com.

Construction -

- 0.075" carbon steel.
- Seams continuously welded and ground smooth.
- Flange trough collar around all sides of door opening.
- Oil-resistant gasket.
- Collar studs provided for mounting optional sub-panels.
- Concealed hinges.
- Removable and interchangeable doors.
- Black quarter turn latches.
- Latches are opened or closed with a screwdriver.
- Mounting holes in back of enclosure.
- Mounting hardware, sealing washers and hole plugs included.
- Removable print pocket furnished if height and width of enclosure is greater than 12".
- Ground studs on door and body.
- Provision for Lifting Lugs included on enclosures with Height >48" and with Depth >16". Lifting Lug assembly included with the enclosure bolt pack.

Options -

- Optional tamper-resistant inserts available.
- Optional mounting feet available.
- Door hardware available.

Finish -

RAL 7035 gray powder coated inside and out. Optional sub-panels powder coated white.

Notes -

Interchangeable latches and handles available in the accessory section.

IS4 - Industry Standards -

NEMA Type 3R, 4, 12 & Type 13
 UL Listed Type 3R, 4 & 12
 CSA Type 3R, 4 & 12
 IEC 60529 IP66

***Special Instructions apply for IS3, IS4 and IS6 to maintain the environmental rating of Type 3R for these parts. See the Special Instructions on the Industry Standards page in the Technical Information Section.

ENVIROLINE® SERIES SINGLE-DOOR ENCLOSURES - RAL 7035

ENCLOSURE PRODUCT CODE E3						SUB-PANEL (P3)			
Catalog No.	Height (A)	Width (B)	Depth (C)	Industry Standard	List Price	Catalog No.	Panel Height (D)	Panel Width (E)	List Price
SCE-12EL1206LPLG	12.00	12.00	6.00	IS4	183.29	SCE-12DLP12	9.00	9.00	13.67
SCE-12EL2406LPLG	12.00	24.00	6.00	IS4	218.97	SCE-12P24	9.00	21.00	27.86
SCE-12EL2408LPLG	12.00	24.00	8.00	IS4	239.11	SCE-12P24	9.00	21.00	27.86
SCE-16EL1206LPLG	16.00	12.00	6.00	IS4	194.36	SCE-16P12	13.00	9.00	14.81
SCE-16EL1208LPLG	16.00	12.00	8.00	IS4	205.44	SCE-16P12	13.00	9.00	14.81
SCE-16EL1408LPLG	16.00	14.00	8.00	IS4	211.59	SCE-16DLP14	13.00	11.00	17.72
SCE-16EL1606LPLG	16.00	16.00	6.00	IS4	210.37	SCE-16P16	13.00	13.00	24.57
SCE-16EL1608LPLG	16.00	16.00	8.00	IS4	234.97	SCE-16P16	13.00	13.00	24.57
SCE-16EL2006LPLG	16.00	20.00	6.00	IS4	236.19	SCE-20P16	17.00	13.00	30.37
SCE-16EL2008LPLG	16.00	20.00	8.00	IS4	237.42	SCE-20P16	17.00	13.00	30.37
SCE-20EL1206LPLG	20.00	12.00	6.00	IS4	209.13	SCE-20P12	17.00	9.00	23.14
SCE-20EL1606LPLG	20.00	16.00	6.00	IS4	225.12	SCE-20P16	17.00	13.00	30.37
SCE-20EL1608LPLG	20.00	16.00	8.00	IS4	237.42	SCE-20P16	17.00	13.00	30.37
SCE-20EL1610LPLG	20.00	16.00	10.00	IS4	252.38	SCE-20P16	17.00	13.00	30.37
SCE-20EL1612LPLG	20.00	16.00	12.00	IS4	263.25	SCE-20P16	17.00	13.00	30.37
SCE-20EL2006LPLG	20.00	20.00	6.00	IS4	242.34	SCE-20P20	17.00	17.00	35.44
SCE-20EL2008LPLG	20.00	20.00	8.00	IS4	255.87	SCE-20P20	17.00	17.00	35.44
SCE-20EL2010LPLG	20.00	20.00	10.00	IS4	270.07	SCE-20P20	17.00	17.00	35.44
SCE-20EL2012LPLG	20.00	20.00	12.00	IS4	284.17	SCE-20P20	17.00	17.00	35.44
SCE-20EL2408LPLG	20.00	24.00	8.00	IS4	275.56	SCE-24P20	21.00	17.00	45.57
SCE-24EL1206LPLG	24.00	12.00	6.00	IS4	218.97	SCE-12P24	9.00	21.00	27.86
SCE-24EL1606LPLG	24.00	16.00	6.00	IS4	239.89	SCE-24P16	21.00	13.00	32.92
SCE-24EL1608LPLG	24.00	16.00	8.00	IS4	253.42	SCE-24P16	21.00	13.00	32.92
SCE-24EL2006LPLG	24.00	20.00	6.00	IS4	260.80	SCE-24P20	21.00	17.00	45.57
SCE-24EL2008LPLG	24.00	20.00	8.00	IS4	275.56	SCE-24P20	21.00	17.00	45.57
SCE-24EL2010LPLG	24.00	20.00	10.00	IS4	292.78	SCE-24P20	21.00	17.00	45.57
SCE-24EL2012LPLG	24.00	20.00	12.00	IS4	307.54	SCE-24P20	21.00	17.00	45.57
SCE-24EL2016LPLG	24.00	20.00	16.00	IS4	337.06	SCE-24P20	21.00	17.00	45.57
SCE-24EL2406LPLG	24.00	24.00	6.00	IS4	281.71	SCE-24P24	21.00	21.00	53.18
SCE-24EL2408LPLG	24.00	24.00	8.00	IS4	297.70	SCE-24P24	21.00	21.00	53.18
SCE-24EL2410LPLG	24.00	24.00	10.00	IS4	314.93	SCE-24P24	21.00	21.00	53.18
SCE-24EL2412LPLG	24.00	24.00	12.00	IS4	329.69	SCE-24P24	21.00	21.00	53.18
SCE-24EL2416LPLG	24.00	24.00	16.00	IS4	362.90	SCE-24P24	21.00	21.00	53.18
SCE-24EL3008LPLG	24.00	30.00	8.00	IS4	329.69	SCE-30P24	27.00	21.00	63.29
SCE-24EL3010LPLG	24.00	30.00	10.00	IS4	355.51	SCE-30P24	27.00	21.00	63.29
SCE-24EL3012LPLG	24.00	30.00	12.00	IS4	380.54	SCE-30P24	27.00	21.00	63.29
SCE-30EL1606LPLG	30.00	16.00	6.00	IS4	263.25	SCE-30P16	27.00	13.00	45.57
SCE-30EL2008LPLG	30.00	20.00	8.00	IS4	303.85	SCE-30P20	27.00	17.00	55.70
SCE-30EL2010LPLG	30.00	20.00	10.00	IS4	319.84	SCE-30P20	27.00	17.00	55.70
SCE-30EL2406LPLG	30.00	24.00	6.00	IS4	309.63	SCE-30P24	27.00	21.00	63.29
SCE-30EL2408LPLG	30.00	24.00	8.00	IS4	329.69	SCE-30P24	27.00	21.00	63.29
SCE-30EL2410LPLG	30.00	24.00	10.00	IS4	355.51	SCE-30P24	27.00	21.00	63.29
SCE-30EL2412LPLG	30.00	24.00	12.00	IS4	366.59	SCE-30P24	27.00	21.00	63.29
SCE-30EL2416LPLG	30.00	24.00	16.00	IS4	404.72	SCE-30P24	27.00	21.00	63.29
SCE-30EL2420LPLG	30.00	24.00	20.00	IS4	441.62	SCE-30P24	27.00	21.00	63.29
SCE-30EL2424LPLG	30.00	24.00	24.00	IS4	478.53	SCE-30P24	27.00	21.00	63.29
SCE-30EL3008LPLG	30.00	30.00	8.00	IS4	369.05	SCE-30P30	27.00	27.00	83.55
SCE-30EL3010LPLG	30.00	30.00	10.00	IS4	410.87	SCE-30P30	27.00	27.00	83.55
SCE-30EL3012LPLG	30.00	30.00	12.00	IS4	423.17	SCE-30P30	27.00	27.00	83.55
SCE-30EL3608LPLG	30.00	36.00	8.00	IS4	408.42	SCE-36P30	33.00	27.00	101.27
SCE-36EL2408LPLG	36.00	24.00	8.00	IS4	362.90	SCE-36P24	33.00	21.00	75.96
SCE-36EL2410LPLG	36.00	24.00	10.00	IS4	394.42	SCE-36P24	33.00	21.00	75.96
SCE-36EL2412LPLG	36.00	24.00	12.00	IS4	404.72	SCE-36P24	33.00	21.00	75.96

ENVIROLINE® SERIES SINGLE-DOOR ENCLOSURES - RAL 7035

ENCLOSURE PRODUCT CODE E3						SUB-PANEL (P3)			
Catalog No.	Height (A)	Width (B)	Depth (C)	Industry Standard	List Price	Catalog No.	Panel Height (D)	Panel Width (E)	List Price
SCE-36EL2416LPLG	36.00	24.00	16.00	IS4	418.25	SCE-36P24	33.00	21.00	75.96
SCE-36EL3008LPLG	36.00	30.00	8.00	IS4	408.42	SCE-36P30	33.00	27.00	101.27
SCE-36EL3010LPLG	36.00	30.00	10.00	IS4	435.47	SCE-36P30	33.00	27.00	101.27
SCE-36EL3012LPLG	36.00	30.00	12.00	IS4	452.70	SCE-36P30	33.00	27.00	101.27
SCE-36EL3016LPLG	36.00	30.00	16.00	IS4	498.22	SCE-36P30	33.00	27.00	101.27
SCE-36EL3020LPLG	36.00	30.00	20.00	IS4	542.51	SCE-36P30	33.00	27.00	101.27
SCE-36EL3608LPLG	36.00	36.00	8.00	IS4	452.70	SCE-36P36	33.00	33.00	118.99
SCE-36EL3610LPLG	36.00	36.00	10.00	IS4	488.77	SCE-36P36	33.00	33.00	118.99
SCE-36EL3612LPLG	36.00	36.00	12.00	IS4	501.91	SCE-36P36	33.00	33.00	118.99
SCE-36EL3616LPLG	36.00	36.00	16.00	IS4	551.11	SCE-36P36	33.00	33.00	118.99
SCE-40EL2412LPLG	40.00	24.00	12.00	IS4	428.10	SCE-40P24	37.00	21.00	86.08
SCE-42EL2410LPLG	42.00	24.00	10.00	IS4	457.63	SCE-42P24	39.00	21.00	91.14
SCE-42EL3008LPLG	42.00	30.00	8.00	IS4	449.01	SCE-42P30	39.00	27.00	116.47
SCE-42EL3010LPLG	42.00	30.00	10.00	IS4	471.15	SCE-42P30	39.00	27.00	116.47
SCE-42EL3012LPLG	42.00	30.00	12.00	IS4	496.98	SCE-42P30	39.00	27.00	116.47
SCE-42EL3016LPLG	42.00	30.00	16.00	IS4	528.98	SCE-42P30	39.00	27.00	116.47
SCE-42EL3608LPLG	42.00	36.00	8.00	IS4	499.46	SCE-42P36	39.00	33.00	136.72
SCE-42EL3610LPLG	42.00	36.00	10.00	IS4	524.06	SCE-42P36	39.00	33.00	136.72
SCE-42EL3612LPLG	42.00	36.00	12.00	IS4	551.11	SCE-42P36	39.00	33.00	136.72
SCE-42EL3616LPLG	42.00	36.00	16.00	IS4	605.24	SCE-42P36	39.00	33.00	136.72
SCE-48EL2408LPLG	48.00	24.00	8.00	IS4	429.32	SCE-48P24	45.00	21.00	98.74
SCE-48EL2412LPLG	48.00	24.00	12.00	IS4	477.30	SCE-48P24	45.00	21.00	98.74
SCE-48EL3008LPLG	48.00	30.00	8.00	IS4	498.72	SCE-48P30	45.00	27.00	129.13
SCE-48EL3010LPLG	48.00	30.00	10.00	IS4	512.98	SCE-48P30	45.00	27.00	129.13
SCE-48EL3016LPLG	48.00	30.00	16.00	IS4	574.49	SCE-48P30	45.00	27.00	129.13
SCE-48EL3608LPLG	48.00	36.00	8.00	IS4	542.51	SCE-48P36	45.00	33.00	154.46
SCE-48EL3610LPLG	48.00	36.00	10.00	IS4	573.27	SCE-48P36	45.00	33.00	154.46
SCE-48EL3612LPLG	48.00	36.00	12.00	IS4	600.33	SCE-48P36	45.00	33.00	154.46
SCE-48EL3616LPLG	48.00	36.00	16.00	IS4	658.14	SCE-48P36	45.00	33.00	154.46
SCE-48EL3620LPLG	48.00	36.00	20.00	IS4	715.97	SCE-48P36	45.00	33.00	154.46
SCE-60EL2412LPLG	60.00	24.00	12.00	IS4	551.11	SCE-60P24	57.00	21.00	129.13
SCE-60EL3608LPLG	60.00	36.00	8.00	IS4	649.48	SCE-60P36	57.00	33.00	189.89
SCE-60EL3610LPLG	60.00	36.00	10.00	IS4	667.98	SCE-60P36	57.00	33.00	189.89
SCE-60EL3612LPLG	60.00	36.00	12.00	IS4	698.74	SCE-60P36	57.00	33.00	189.89
SCE-60EL3616LPLG	60.00	36.00	16.00	IS4	765.17	SCE-60P36	57.00	33.00	189.89
SCE-60EL3620LPLG	60.00	36.00	20.00	IS4	832.83	SCE-60P36	57.00	33.00	189.89
SCE-60EL3624LPLG	60.00	36.00	24.00	IS4	1,127.62	SCE-60P36	57.00	33.00	189.89
SCE-72EL3012LPLG	72.00	30.00	12.00	IS4	749.18	SCE-72P30	69.00	27.00	210.15
SCE-72EL3016LPLG	72.00	30.00	16.00	IS4	856.21	SCE-72P30	69.00	27.00	210.15
SCE-72EL3024LPLG	72.00	30.00	24.00	IS4	941.08	SCE-72P30	69.00	27.00	210.15
SCE-72EL3612LPLG	72.00	36.00	12.00	IS4	799.62	SCE-72P36	69.00	33.00	225.33
SCE-72EL3616LPLG	72.00	36.00	16.00	IS4	910.33	SCE-72P36	69.00	33.00	225.33
SCE-72EL3624LPLG	72.00	36.00	24.00	IS4	1,239.50	SCE-72P36	69.00	33.00	225.33



Enviroline® Series Single-Door Enclosures (RAL 7035)

Application -

Designed to house electrical and electronic controls, instruments and components. Provides protection from dust, oil and water. For outdoor application a drip shield is recommended. For installation information, consult our Installation Manual at www.saginawcontrol.com.

Construction -

- 0.075" carbon steel.
- Seams continuously welded and ground smooth.
- Flange trough collar around all sides of door opening.
- Oil-resistant gasket.
- Collar studs provided for mounting optional sub-panels.
- Concealed hinges.
- Removable and interchangeable doors.
- Black quarter turn latches.
- Latches are opened or closed with a screwdriver.
- Mounting holes in back of enclosure.
- Mounting hardware, sealing washers and hole plugs included.
- Removable print pocket furnished if height and width of enclosure is greater than 12".
- Ground studs on door and body.
- Provision for Lifting Lugs included on enclosures with Height >48" and with Depth >16". Lifting Lug assembly included with the enclosure bolt pack.

Options -

- Optional tamper-resistant inserts available.
- Optional mounting feet available.
- Door hardware available.

Finish -

RAL 7035 gray powder coated inside and out. Optional sub-panels powder coated white.

Notes -

Interchangeable latches and handles available in the accessory section.

IS4 - Industry Standards -

NEMA Type 3R, 4, 12 & Type 13
UL Listed Type 3R, 4 & 12
CSA Type 3R, 4 & 12
IEC 60529 IP66

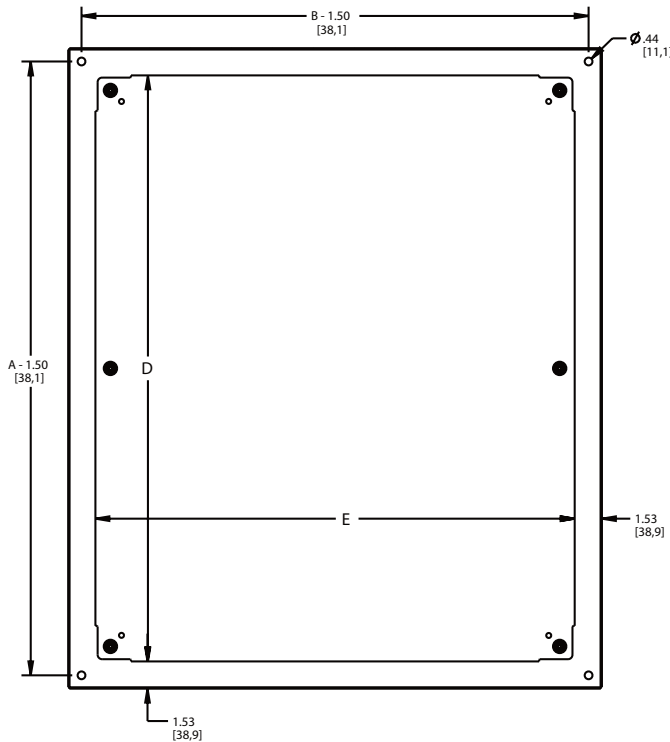
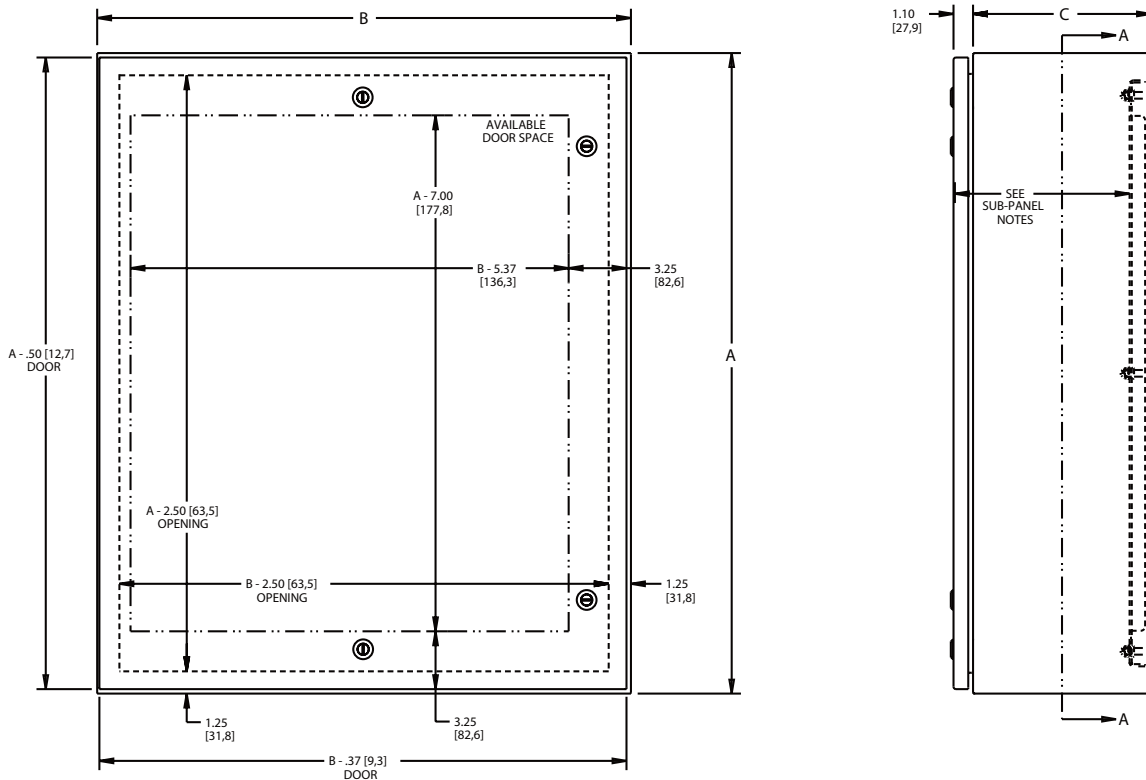
***Special Instructions apply for IS3, IS4 and IS6 to maintain the environmental rating of Type 3R for these parts. See the Special Instructions on the Industry Standards page in the Technical Information Section.



Phone (989) 799-6871
Fax (989) 799-4524

ENVIROLINE® SERIES SINGLE-DOOR ENCLOSURES

TECHNICAL DATA



SECTION A-A

SUB-PANEL NOTES:

Dimensions are from the inside of the door
 C + 0.32 [8,1] for flat sub-panels
 C - 0.18 [4,5] for bent sub-panels

LATCH NOTES:

Enclosures < 24.00" [609,6] in height require only one latch centered on door.
 Enclosures >= 24.00" [609,6] and < 40.00" [1016] in height require two latches on door.
 Enclosures >= 40.00" [1016] require three latches on door.
 Omit center latch top and bottom of door when door width is <= 30.00" [762]

Phone (989) 799-6871
 Fax (989) 799-4524



ENVIROLINE® SERIES ENCLOSURES

Enviroline® Series enclosures are an all purpose enclosure with a durable powder coat finish or #4 brushed finish in 304 & 316/316L stainless steel.

Available in carbon steel and stainless steel.

Available in disconnect styles, as well as free-standing enclosures.

Enviroline® Series enclosures are NEMA 12/3R/4 or NEMA 12/3R/4/4X enclosures with quarter turn latches.

Enviroline® Series enclosures feature the exclusive SCE removable hinge which allows the door to swing open 180 degrees.

The SCE designed hinge can be removed by removing the retaining clip and pulling the pin.

The doors are interchangeable.

Flange trough collar around door opening channels liquids away from the door.

Easy to install swing-out panel kits that mount to the concealed hinges.

The quarter turn latches can be replaced with a variety of latches, including wing knob, keylocking, padlocking, coinproof, and tamper resistant inserts.

Quarter turn latches can also be replaced with several handles, including chrome keylocking & padlocking, and the black 5" and 7" SCE handles, including keylocking, padlocking, and coinproof.

A three-point latching system is available for enclosures over 40" high.

Holes in back of the enclosure for mounting or installing optional mounting foot kit (SCE-ELMFK4 or SCE-ELMFK4SS). A hole plug kit is included if holes are not needed.



Phone (989) 799-6871
Fax (989) 799-4524

Enviroline® Series Wall-Mount Enclosures with 3-Point Hardware

Application -

Designed to house electrical and electronic controls, instrumentation and components in indoor or outdoor locations. For outdoor applications a drip shield is recommended. For installation information, consult our Installation Manual at www.saginawcontrol.com.

Construction -

- 0.075" carbon steel.
- Seams continuously welded and ground smooth.
- Flange trough collar around all sides of door opening.
- Collar studs provided for mounting optional sub-panels.
- Mounting holes in back of the enclosure for wall mounting.
- Mounting hardware, sealing washers and hole plugs included.
- Concealed hinges.
- Removable and interchangeable doors.
- Black zinc die cast keylocking/padlocking handles.
- 3-point latching mechanism.
- Black quarter turn latches as required.
- Removable print pocket.
- Oil and water resistant gasket.
- Ground stud on door and body.
- Provision for Lifting Lugs included on enclosures with Height >48" and with Depth >16". Lifting Lug assembly included with the enclosure bolt pack.

Finish -

ANSI-61 gray powder coated inside and out. Optional sub-panels powder coated white.

IS4 - Industry Standards -

NEMA Type 3R, 4, 12 & Type 13
 UL Listed Type 3R, 4 & 12
 CSA Type 3R, 4 & 12
 IEC 60529 IP66

***Special Instructions apply for IS3, IS4 and IS6 to maintain the environmental rating of Type 3R for these parts. See the Special Instructions on the Industry Standards page in the Technical Information Section.

ENVIROLINE® SERIES SINGLE-DOOR ENCLOSURES WITH 3-POINT HARDWARE

ENCLOSURE PRODUCT CODE E3						SUB-PANEL (P3)			
Catalog No.	Height (A)	Width (B)	Depth (C)	Industry Standard	List Price	Catalog No.	Panel Height (D)	Panel Width (E)	List Price
SCE-24EL2010LPPL	24.00	20.00	10.00	IS4	403.89	SCE-24P20	21.00	17.00	45.57
SCE-24EL2410LPPL	24.00	24.00	10.00	IS4	426.04	SCE-24P24	21.00	21.00	53.18
SCE-30EL2412LPPL	30.00	24.00	12.00	IS4	477.70	SCE-30P24	27.00	21.00	63.29
SCE-30EL3012LPPL	30.00	30.00	12.00	IS4	534.28	SCE-30P30	27.00	27.00	83.55
SCE-36EL2412LPPL	36.00	24.00	12.00	IS4	515.83	SCE-36P24	33.00	21.00	75.96
SCE-36EL3012LPPL	36.00	30.00	12.00	IS4	563.81	SCE-36P30	33.00	27.00	101.27
SCE-42EL3612LPPL	42.00	36.00	12.00	IS4	662.22	SCE-42P36	39.00	33.00	136.72
SCE-48EL3612LPPL	48.00	36.00	12.00	IS4	711.44	SCE-48P36	45.00	33.00	154.46
SCE-48EL3616LPPL	48.00	36.00	16.00	IS4	769.25	SCE-48P36	45.00	33.00	154.46
SCE-60EL3612LPPL	60.00	36.00	12.00	IS4	809.85	SCE-60P36	57.00	33.00	189.89
SCE-60EL3616LPPL	60.00	36.00	16.00	IS4	876.28	SCE-60P36	57.00	33.00	189.89
SCE-60EL3624LPPL	60.00	36.00	24.00	IS4	1,238.73	SCE-60P36	57.00	33.00	189.89
SCE-72EL3624LPPL	72.00	36.00	24.00	IS4	1,404.61	SCE-72P36	69.00	33.00	225.33

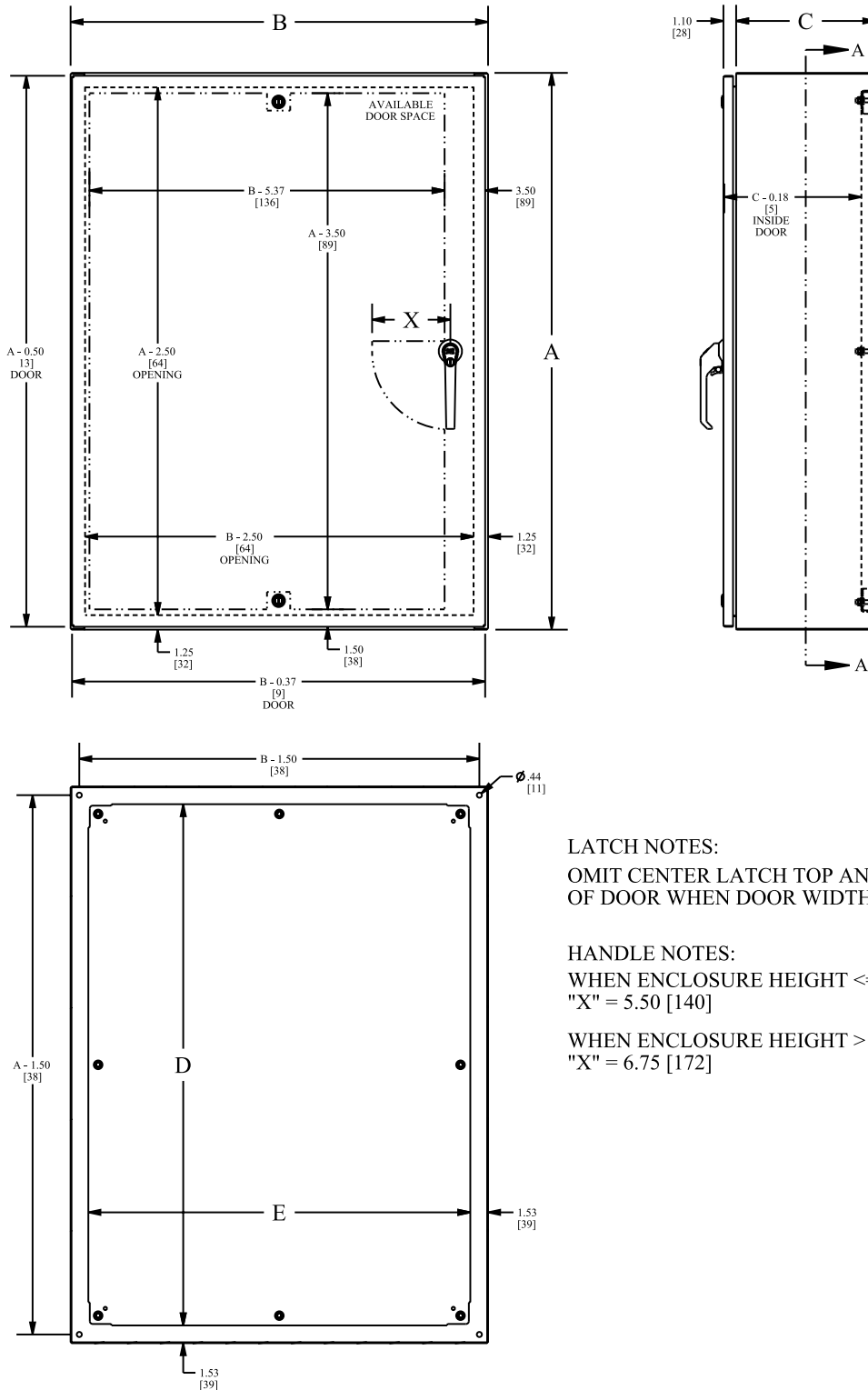


Phone (989) 799-6871
 Fax (989) 799-4524



ENVIROLINE® SERIES SINGLE-DOOR ENCLOSURES

TECHNICAL DATA



LATCH NOTES:
 OMIT CENTER LATCH TOP AND BOTTOM
 OF DOOR WHEN DOOR WIDTH IS < 30.00 [762]

HANDLE NOTES:
 WHEN ENCLOSURE HEIGHT ≤ 42.00 [1067]
 "X" = 5.50 [140]
 WHEN ENCLOSURE HEIGHT > 42.00 [1067]
 "X" = 6.75 [172]



Phone (989) 799-6871
 Fax (989) 799-4524

Clamp Fastened Single-Door Enclosures

Application -

Designed to house electrical and electronic controls, instruments, and components. Provides protection from dust, dirt, oil and water. For installation information, consult our Installation Manual at www.saginawcontrol.com.

Construction -

- 0.075" carbon steel.
- Seams continuously welded and ground smooth, no holes or knockouts.
- Flange trough collar around all sides of door opening.
- Door clamps are quick and easy to operate.
- Concealed hinges.
- Hasp and staple for padlocking.
- Oil resistant gasket.
- Collar studs for mounting optional sub-panels.
- Ground stud on door and body.
- Removable print pocket furnished if height and width of enclosure is greater than 12".
- Welded mounting provision top and bottom of back.
- Provision for Lifting Lugs included on enclosures with Height >48" and with Depth >16". Lifting Lug assembly included with the enclosure bolt pack.

Finish -

ANSI-61 gray powder coated inside and out. Optional sub-panels powder coated white.

IS4 - Industry Standards -

NEMA Type 3R, 4, 12 & Type 13
 UL Listed Type 3R, 4 & 12
 CSA Type 3R, 4 & 12
 IEC 60529 IP66

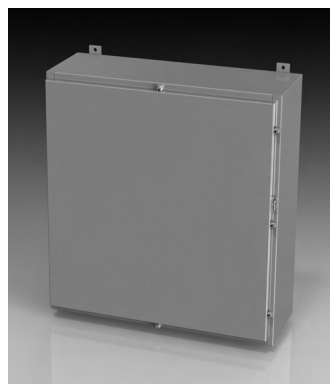
***Special Instructions apply for IS3, IS4 and IS6 to maintain the environmental rating of Type 3R for these parts. See the Special Instructions on the Industry Standards page in the Technical Information Section.

CLAMP FASTENED SINGLE-DOOR ENCLOSURES

ENCLOSURE PRODUCT CODE A3						SUB-PANEL (P3)			
Catalog No.	Height (A)	Width (B)	Depth (C)	Industry Standard	List Price	Catalog No.	Panel Height (D)	Panel Width (E)	List Price
SCE-12H2406LP	12.00	24.00	6.00	IS4	238.27	SCE-12P24	9.00	21.00	27.86
SCE-12H2408LP	12.00	24.00	8.00	IS4	253.33	SCE-12P24	9.00	21.00	27.86
SCE-16H1206LP	16.00	12.00	6.00	IS4	213.19	SCE-16P12	13.00	9.00	14.81
SCE-16H1208LP	16.00	12.00	8.00	IS4	223.22	SCE-16P12	13.00	9.00	14.81
SCE-16H1210LP	16.00	12.00	10.00	IS4	233.25	SCE-16P12	13.00	9.00	14.81
SCE-16H1606LP	16.00	16.00	6.00	IS4	228.25	SCE-16P16	13.00	13.00	24.57
SCE-16H1608LP	16.00	16.00	8.00	IS4	240.78	SCE-16P16	13.00	13.00	24.57
SCE-16H2006LP	16.00	20.00	6.00	IS4	245.80	SCE-20P16	17.00	13.00	30.37
SCE-16H2008LP	16.00	20.00	8.00	IS4	258.34	SCE-20P16	17.00	13.00	30.37
SCE-20H1206LP	20.00	12.00	6.00	IS4	225.73	SCE-20P12	17.00	9.00	23.14
SCE-20H1208LP	20.00	12.00	8.00	IS4	238.27	SCE-20P12	17.00	9.00	23.14
SCE-20H1606LP	20.00	16.00	6.00	IS4	245.80	SCE-20P16	17.00	13.00	30.37
SCE-20H1608LP	20.00	16.00	8.00	IS4	258.34	SCE-20P16	17.00	13.00	30.37
SCE-20H1610LP	20.00	16.00	10.00	IS4	270.87	SCE-20P16	17.00	13.00	30.37
SCE-20H1612LP	20.00	16.00	12.00	IS4	285.93	SCE-20P16	17.00	13.00	30.37
SCE-20H2006LP	20.00	20.00	6.00	IS4	263.35	SCE-20P20	17.00	17.00	35.44
SCE-20H2008LP	20.00	20.00	8.00	IS4	278.41	SCE-20P20	17.00	17.00	35.44
SCE-20H2010LP	20.00	20.00	10.00	IS4	293.45	SCE-20P20	17.00	17.00	35.44
SCE-20H2406LP	20.00	24.00	6.00	IS4	283.43	SCE-24P20	21.00	17.00	45.57
SCE-20H2408LP	20.00	24.00	8.00	IS4	300.48	SCE-24P20	21.00	17.00	45.57
SCE-20H3006LP	20.00	30.00	6.00	IS4	341.10	SCE-30P20	27.00	17.00	55.70
SCE-24H1206LP	24.00	12.00	6.00	IS4	238.10	SCE-12P24	9.00	21.00	27.86
SCE-24H1208LP	24.00	12.00	8.00	IS4	253.33	SCE-12P24	9.00	21.00	27.86
SCE-24H1210LP	24.00	12.00	10.00	IS4	265.86	SCE-12P24	9.00	21.00	27.86
SCE-24H1606LP	24.00	16.00	6.00	IS4	260.85	SCE-24P16	21.00	13.00	32.92
SCE-24H1608LP	24.00	16.00	8.00	IS4	275.89	SCE-24P16	21.00	13.00	32.92
SCE-24H2006LP	24.00	20.00	6.00	IS4	283.43	SCE-24P20	21.00	17.00	45.57
SCE-24H2008LP	24.00	20.00	8.00	IS4	300.98	SCE-24P20	21.00	17.00	45.57
SCE-24H2010LP	24.00	20.00	10.00	IS4	316.04	SCE-24P20	21.00	17.00	45.57
SCE-24H2012LP	24.00	20.00	12.00	IS4	333.58	SCE-24P20	21.00	17.00	45.57
SCE-24H2016LP	24.00	20.00	16.00	IS4	366.19	SCE-24P20	21.00	17.00	45.57
SCE-24H2406LP	24.00	24.00	6.00	IS4	305.99	SCE-24P24	21.00	21.00	53.18
SCE-24H2408LP	24.00	24.00	8.00	IS4	323.55	SCE-24P24	21.00	21.00	53.18
SCE-24H2410LP	24.00	24.00	10.00	IS4	341.10	SCE-24P24	21.00	21.00	53.18
SCE-24H2412LP	24.00	24.00	12.00	IS4	358.66	SCE-24P24	21.00	21.00	53.18
SCE-24H2416LP	24.00	24.00	16.00	IS4	393.78	SCE-24P24	21.00	21.00	53.18
SCE-24H3008LP	24.00	30.00	8.00	IS4	358.66	SCE-30P24	27.00	21.00	63.29
SCE-30H1606LP	30.00	16.00	6.00	IS4	285.93	SCE-30P16	27.00	13.00	45.57
SCE-30H2006LP	30.00	20.00	6.00	IS4	311.00	SCE-30P20	27.00	17.00	55.70
SCE-30H2008LP	30.00	20.00	8.00	IS4	331.07	SCE-30P20	27.00	17.00	55.70
SCE-30H2010LP	30.00	20.00	10.00	IS4	348.61	SCE-30P20	27.00	17.00	55.70
SCE-30H2406LP	30.00	24.00	6.00	IS4	338.60	SCE-30P24	27.00	21.00	63.29
SCE-30H2408LP	30.00	24.00	8.00	IS4	358.66	SCE-30P24	27.00	21.00	63.29
SCE-30H2410LP	30.00	24.00	10.00	IS4	378.73	SCE-30P24	27.00	21.00	63.29
SCE-30H2412LP	30.00	24.00	12.00	IS4	398.79	SCE-30P24	27.00	21.00	63.29
SCE-30H2416LP	30.00	24.00	16.00	IS4	438.92	SCE-30P24	27.00	21.00	63.29
SCE-30H2420LP	30.00	24.00	20.00	IS4	479.05	SCE-30P24	27.00	21.00	63.29
SCE-30H2424LP	30.00	24.00	24.00	IS4	519.19	SCE-30P24	27.00	21.00	63.29
SCE-30H3008LP	30.00	30.00	8.00	IS4	401.30	SCE-30P30	27.00	27.00	83.55
SCE-30H3012LP	30.00	30.00	12.00	IS4	446.44	SCE-30P30	27.00	27.00	83.55
SCE-30H3608LP	30.00	36.00	8.00	IS4	443.93	SCE-36P30	33.00	27.00	101.27
SCE-36H1606LP	36.00	16.00	6.00	IS4	303.48	SCE-36P16	33.00	13.00	53.18
SCE-36H2406LP	36.00	24.00	6.00	IS4	371.21	SCE-36P24	33.00	21.00	75.96

CLAMP FASTENED SINGLE-DOOR ENCLOSURES

ENCLOSURE PRODUCT CODE A3						SUB-PANEL (P3)			
Catalog No.	Height (A)	Width (B)	Depth (C)	Industry Standard	List Price	Catalog No.	Panel Height (D)	Panel Width (E)	List Price
SCE-36H2408LP	36.00	24.00	8.00	IS4	393.78	SCE-36P24	33.00	21.00	75.96
SCE-36H2410LP	36.00	24.00	10.00	IS4	416.36	SCE-36P24	33.00	21.00	75.96
SCE-36H2412LP	36.00	24.00	12.00	IS4	438.92	SCE-36P24	33.00	21.00	75.96
SCE-36H2416LP	36.00	24.00	16.00	IS4	489.09	SCE-36P24	33.00	21.00	75.96
SCE-36H3006LP	36.00	30.00	6.00	IS4	418.86	SCE-36P30	33.00	27.00	101.27
SCE-36H3008LP	36.00	30.00	8.00	IS4	443.93	SCE-36P30	33.00	27.00	101.27
SCE-36H3010LP	36.00	30.00	10.00	IS4	469.01	SCE-36P30	33.00	27.00	101.27
SCE-36H3012LP	36.00	30.00	12.00	IS4	491.60	SCE-36P30	33.00	27.00	101.27
SCE-36H3016LP	36.00	30.00	16.00	IS4	541.76	SCE-36P30	33.00	27.00	101.27
SCE-36H3020LP	36.00	30.00	20.00	IS4	589.41	SCE-36P30	33.00	27.00	101.27
SCE-36H3608LP	36.00	36.00	8.00	IS4	491.60	SCE-36P36	33.00	33.00	118.99
SCE-36H3612LP	36.00	36.00	12.00	IS4	546.77	SCE-36P36	33.00	33.00	118.99
SCE-36H3616LP	36.00	36.00	16.00	IS4	599.43	SCE-36P36	33.00	33.00	118.99
SCE-42H2408LP	42.00	24.00	8.00	IS4	431.40	SCE-42P24	39.00	21.00	91.14
SCE-42H3008LP	42.00	30.00	8.00	IS4	486.58	SCE-42P30	39.00	27.00	116.47
SCE-42H3010LP	42.00	30.00	10.00	IS4	511.65	SCE-42P30	39.00	27.00	116.47
SCE-42H3012LP	42.00	30.00	12.00	IS4	539.24	SCE-42P30	39.00	27.00	116.47
SCE-42H3016LP	42.00	30.00	16.00	IS4	594.42	SCE-42P30	39.00	27.00	116.47
SCE-42H3608LP	42.00	36.00	8.00	IS4	541.76	SCE-42P36	39.00	33.00	136.72
SCE-42H3610LP	42.00	36.00	10.00	IS4	569.34	SCE-42P36	39.00	33.00	136.72
SCE-42H3612LP	42.00	36.00	12.00	IS4	599.43	SCE-42P36	39.00	33.00	136.72
SCE-42H3616LP	42.00	36.00	16.00	IS4	657.13	SCE-42P36	39.00	33.00	136.72
SCE-48H2408LP	48.00	24.00	8.00	IS4	466.51	SCE-48P24	45.00	21.00	98.74
SCE-48H3008LP	48.00	30.00	8.00	IS4	529.22	SCE-48P30	45.00	27.00	129.13
SCE-48H3010LP	48.00	30.00	10.00	IS4	556.80	SCE-48P30	45.00	27.00	129.13
SCE-48H3016LP	48.00	30.00	16.00	IS4	644.58	SCE-48P30	45.00	27.00	129.13
SCE-48H3608LP	48.00	36.00	8.00	IS4	589.41	SCE-48P36	45.00	33.00	154.46
SCE-48H3610LP	48.00	36.00	10.00	IS4	622.02	SCE-48P36	45.00	33.00	154.46
SCE-48H3612LP	48.00	36.00	12.00	IS4	652.12	SCE-48P36	45.00	33.00	154.46
SCE-48H3616LP	48.00	36.00	16.00	IS4	714.82	SCE-48P36	45.00	33.00	154.46
SCE-48H3620LP	48.00	36.00	20.00	IS4	777.52	SCE-48P36	45.00	33.00	154.46
SCE-60H3608LP	60.00	36.00	8.00	IS4	687.22	SCE-60P36	57.00	33.00	189.89
SCE-60H3610LP	60.00	36.00	10.00	IS4	724.84	SCE-60P36	57.00	33.00	189.89
SCE-60H3612LP	60.00	36.00	12.00	IS4	759.96	SCE-60P36	57.00	33.00	189.89
SCE-60H3616LP	60.00	36.00	16.00	IS4	830.19	SCE-60P36	57.00	33.00	189.89
SCE-60H3620LP	60.00	36.00	20.00	IS4	902.92	SCE-60P36	57.00	33.00	189.89
SCE-72H3012LP	72.00	30.00	12.00	IS4	812.62	SCE-72P30	69.00	27.00	210.15
SCE-72H3016LP	72.00	30.00	16.00	IS4	929.27	SCE-72P30	69.00	27.00	210.15
SCE-72H3024LP	72.00	30.00	24.00	IS4	1,020.81	SCE-72P30	69.00	27.00	210.15
SCE-72H3612LP	72.00	36.00	12.00	IS4	867.81	SCE-72P36	69.00	33.00	225.33
SCE-72H3616LP	72.00	36.00	16.00	IS4	985.70	SCE-72P36	69.00	33.00	225.33



Clamp Fastened Single-Door Enclosures

Application -

Designed to house electrical and electronic controls, instruments, and components. Provides protection from dust, dirt, oil and water. For installation information, consult our Installation Manual at www.saginawcontrol.com.

Construction -

- 0.075" carbon steel.
- Seams continuously welded and ground smooth, no holes or knockouts.
- Flange trough collar around all sides of door opening.
- Door clamps are quick and easy to operate.
- Concealed hinges.
- Hasp and staple for padlocking.
- Oil resistant gasket.
- Collar studs for mounting optional sub-panels.
- Ground stud on door and body.
- Removable print pocket furnished if height and width of enclosure is greater than 12".
- Welded mounting provision top and bottom of back.
- Provision for Lifting Lugs included on enclosures with Height >48" and with Depth >16". Lifting Lug assembly included with the enclosure bolt pack.

Finish -

ANSI-61 gray powder coated inside and out. Optional sub-panels powder coated white.

IS4 - Industry Standards -

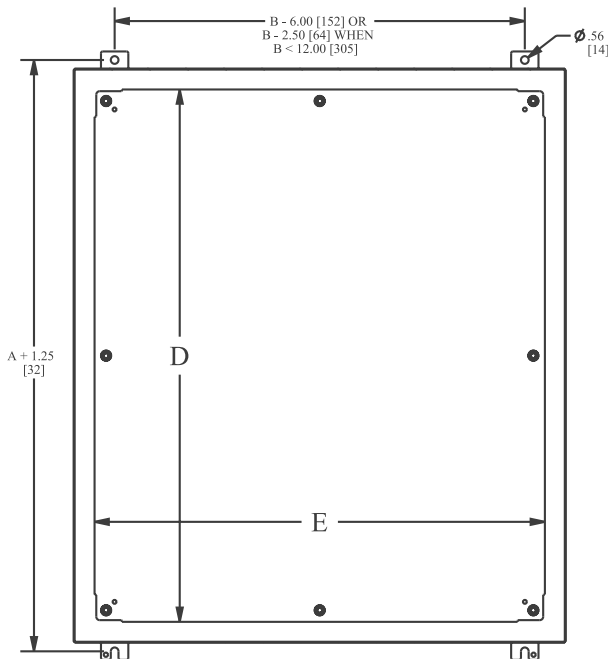
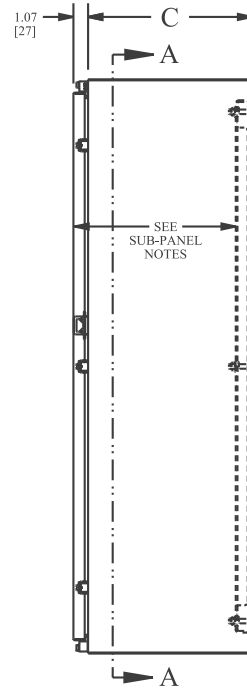
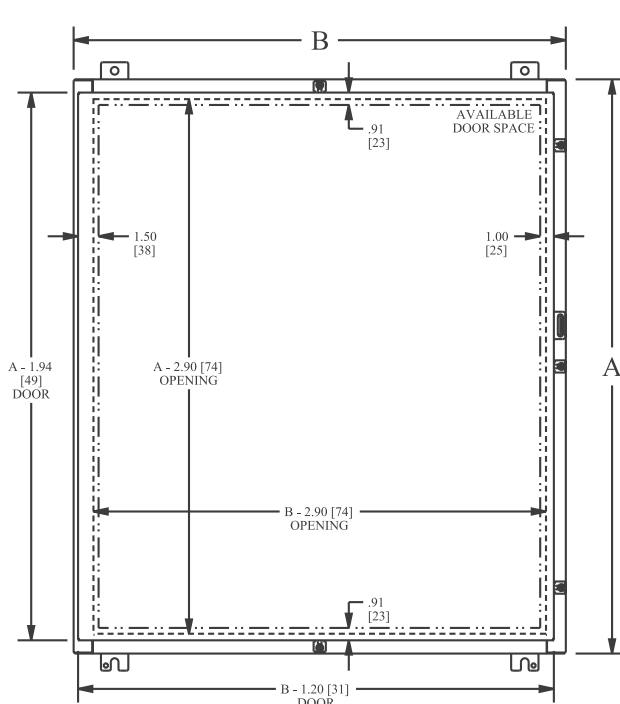
NEMA Type 3R, 4, 12 & Type 13
UL Listed Type 3R, 4 & 12
CSA Type 3R, 4 & 12
IEC 60529 IP66

***Special Instructions apply for IS3, IS4 and IS6 to maintain the environmental rating of Type 3R for these parts. See the Special Instructions on the Industry Standards page in the Technical Information Section.



Phone (989) 799-6871
Fax (989) 799-4524

CLAMP FASTENED SINGLE-DOOR ENCLOSURES TECHNICAL DATA



SECTION A-A

SUB-PANEL NOTES:

Dimensions are from the inside of the door
 C + .30 [8] for flat sub-panels
 C - .20 [5] for bent sub-panels

CLAMPING NOTES:

Enclosures < 27.00 [686] in height require two clamps on door.
 Enclosures >= 27.00 [686] in height require three clamps on door.
 Omit center clamp top and bottom of door when door width is <= 30.00 [762]

Phone (989) 799-6871
 Fax (989) 799-4524



NOTES

- 1 Operator System Enclosures
- 2 Wall-Mount Enclosures
- 3 Free-Standing & Floor-Mounted Enclosures
- 4 Modular Enclosures
- 5 Operator System Enclosures (Stainless Steel)
- 6 Wall-Mount Enclosures (Stainless Steel)
- 7 Free-Standing & Floor-Mounted Enclosures (Stainless Steel)
- 8 Non-Metallic Enclosures
- 9 Accessories
- 10 Technical Information
- 11 Index



Phone (989) 799-6871
Fax (989) 799-4524

Enviroline® Series Wall-Mount Two-Door Enclosures With 3-Point Hardware

Application -

Designed to house electrical and electronic controls, instrumentation and components. For installation information, consult our Installation Manual at www.saginawcontrol.com. For outdoor applications a drip shield is recommended.

Construction -

- 0.075" carbon steel.
- Seams continuously welded and ground smooth.
- Flange trough collar around all sides of door opening.
- Collar studs provided for mounting optional sub-panels.
- Removable center posts permit easy sub-panel installation.
- Mounting holes in back of the enclosure for wall mounting.
- Mounting hardware, sealing washers and hole plugs included.
- Concealed hinges.
- Removable and interchangeable doors.
- Black keylocking/padlocking handles.
- 3-point latching mechanism.
- Removable print pocket.
- Oil & water resistant gasket.
- Ground stud on door and body.

Options -

Optional mounting foot kit available (SCE-ELMFK6).

Finish -

ANSI-61 gray powder coated inside and out. Optional sub-panels powder coated white.

Notes -

Mechanical Interlock not for use in Enclosures 24" in height.

IS4 - Industry Standards -

NEMA Type 3R, 4, 12 & Type 13
 UL Listed Type 3R, 4 & 12
 CSA Type 3R, 4 & 12
 IEC 60529 IP66

***Special Instructions apply for IS3, IS4 and IS6 to maintain the environmental rating of Type 3R for these parts. See the Special Instructions on the Industry Standards page in the Technical Information Section.

ENVIROLINE® SERIES WALL-MOUNT TWO-DOOR ENCLOSURES WITH 3-POINT HARDWARE

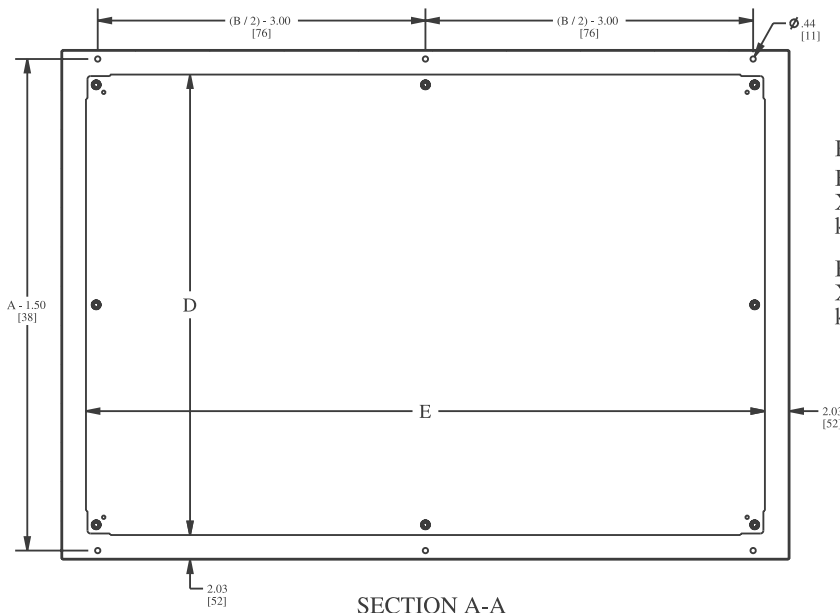
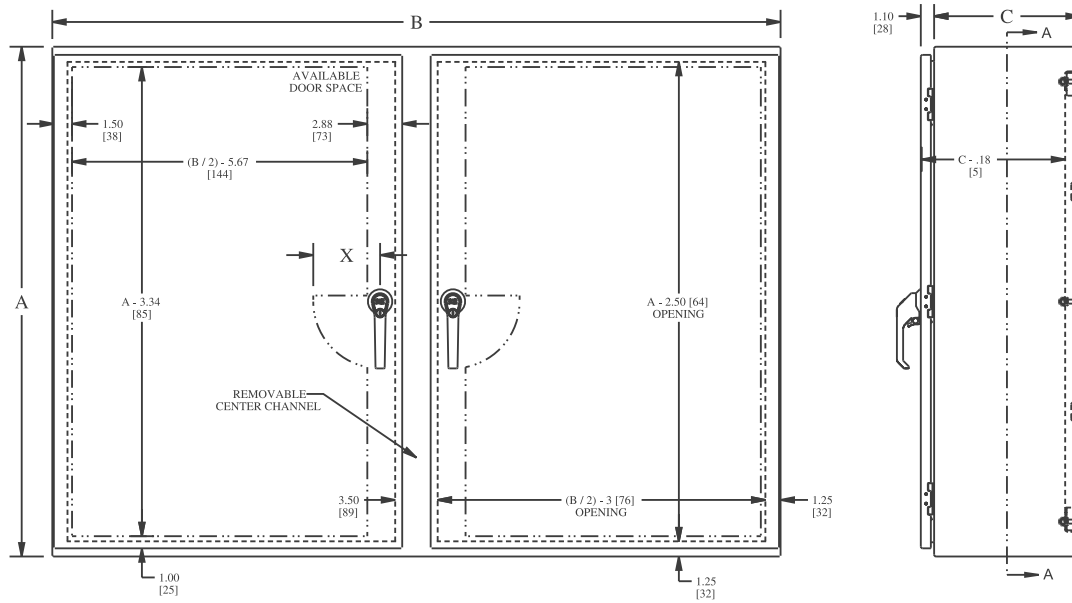
ENCLOSURE PRODUCT CODE A4						SUB-PANEL (P3)			
Catalog No.	Height (A)	Width (B)	Depth (C)	Industry Standard	List Price	Catalog No.	Panel Height (D)	Panel Width (E)	List Price
SCE-24EL4210WFLP	24.00	42.00	10.00	IS4	821.92	SCE-42P24	39.00	21.00	91.14
SCE-24EL4810WFLP	24.00	48.00	10.00	IS4	854.84	SCE-48P24	45.00	21.00	98.74
SCE-30EL4210WFLP	30.00	42.00	10.00	IS4	866.84	SCE-42P30	39.00	27.00	116.47
SCE-30EL4810WFLP	30.00	48.00	10.00	IS4	954.91	SCE-48P30	45.00	27.00	129.13
SCE-30EL6010WFLP	30.00	60.00	10.00	IS4	1,055.50	SCE-60P30	57.00	27.00	159.52
SCE-36EL4216WFLP	36.00	42.00	16.00	IS4	1,047.13	SCE-42P36	39.00	33.00	136.72
SCE-36EL4812WFLP	36.00	48.00	12.00	IS4	1,101.45	SCE-48P36	45.00	33.00	154.46
SCE-36EL6012WFLP	36.00	60.00	12.00	IS4	1,223.32	SCE-60P36	57.00	33.00	189.89
SCE-42EL4212WFLP	42.00	42.00	12.00	IS4	1,166.94	SCE-42P42	39.00	39.00	156.97
SCE-42EL4812WFLP	42.00	48.00	12.00	IS4	1,273.68	SCE-48P42	45.00	39.00	177.24
SCE-42EL6012WFALP	42.00	60.00	12.00	IS4	1,420.06	SCE-60BFP42	56.00	38.00	230.41
SCE-48EL4812WFLP	48.00	48.00	12.00	IS4	1,383.23	SCE-48P48	44.00	44.00	212.67



Phone (989) 799-6871
 Fax (989) 799-4524



ENVIROLINE® SERIES WALL-MOUNT TWO-DOOR ENCLOSURES WITH 3-POINT HARDWARE TECHNICAL DATA



HANDLE NOTES:

Enclosures ≤ 42.00 [1067] in height
 $X = 5.50$ [140] and uses 5.00 [127]
 key-locking/padlocking handle.

Enclosures > 42.00 [1067] in height
 $X = 6.75$ [171] and uses 7.00 [178]
 key-locking/padlocking handle.



Phone (989) 799-6871
 Fax (989) 799-4524

Overlapping Two-Door Wall-Mount Enclosures

Application -

Designed to house electrical and electronic controls, instruments and components. Provides protection from dust, oil and water. For outdoor application a drip shield and drain holes are required. For installation information, consult our Installation Manual at www.saginawcontrol.com.

Construction -

- 0.075" carbon steel.
- Seams continuously welded and ground smooth, no holes or knockouts.
- Flange trough collar around all sides of door opening.
- Gasketed overlapping doors eliminate need for center post.
- Black zinc die cast keylocking/padlocking handle.
- 3-point latching mechanism.
- Latch rods have ramp shoes for easier door closing.
- Concealed hinges.
- Removable and interchangeable doors.
- Removable print pocket provided on door with 3-point latch.
- Oil resistant door gasket.
- Collar studs for mounting optional sub-panel.
- Ground stud on door and body.
- Mounting hardware, sealing washers and hole plugs included.

Options -

Optional mounting foot kit available (SCE-ELMFK6).

Finish -

ANSI-61 gray powder coated inside and out. Optional sub-panels powder coated white.

IS3 - Industry Standards -

- NEMA Type 3R, 12 & Type 13
- UL Listed Type 3R & 12
- CSA Type 3R & 12
- IEC 60529 IP66

***Special Instructions apply for IS3, IS4 and IS6 to maintain the environmental rating of Type 3R for these parts. See the Special Instructions on the Industry Standards page in the Technical Information Section.

OVERLAPPING TWO-DOOR WALL-MOUNT ENCLOSURES

ENCLOSURE PRODUCT CODE A4						SUB-PANEL (P3)			
Catalog No.	Height (A)	Width (B)	Depth (C)	Industry Standard	List Price	Catalog No.	Panel Height (D)	Panel Width (E)	List Price
SCE-244208WFLP	24.00	42.00	8.00	IS3	531.50	SCE-42P24	39.00	21.00	91.14
SCE-244808WFLP	24.00	48.00	8.00	IS3	576.22	SCE-48P24	45.00	21.00	98.74
SCE-244812WFLP	24.00	48.00	12.00	IS3	615.84	SCE-48P24	45.00	21.00	98.74
SCE-304210WFLP	30.00	42.00	10.00	IS3	635.82	SCE-42P30	39.00	27.00	116.47
SCE-304810WFLP	30.00	48.00	10.00	IS3	690.46	SCE-48P30	45.00	27.00	129.13
SCE-306010WFLP	30.00	60.00	10.00	IS3	799.74	SCE-60P30	57.00	27.00	159.52
SCE-306012WFLP	30.00	60.00	12.00	IS3	861.12	SCE-60P30	57.00	27.00	159.52
SCE-364212WFLP	36.00	42.00	12.00	IS3	740.14	SCE-42P36	39.00	33.00	136.72
SCE-364216WFLP	36.00	42.00	16.00	IS3	805.15	SCE-42P36	39.00	33.00	136.72
SCE-364810WFLP	36.00	48.00	10.00	IS3	794.78	SCE-48P36	45.00	33.00	154.46
SCE-364812WFLP	36.00	48.00	12.00	IS3	807.20	SCE-48P36	45.00	33.00	154.46
SCE-364816WFLP	36.00	48.00	16.00	IS3	881.94	SCE-48P36	45.00	33.00	154.46
SCE-366012WFLP	36.00	60.00	12.00	IS3	941.31	SCE-60P36	57.00	33.00	189.89
SCE-366016WFLP	36.00	60.00	16.00	IS3	1,048.69	SCE-60P36	57.00	33.00	189.89
SCE-424212WFLP	42.00	42.00	12.00	IS3	817.12	SCE-42P42	39.00	39.00	156.97
SCE-424216WFLP	42.00	42.00	16.00	IS3	928.01	SCE-42P42	39.00	39.00	156.97
SCE-424812WFLP	42.00	48.00	12.00	IS3	891.63	SCE-48P42	45.00	39.00	177.24
SCE-424816WFLP	42.00	48.00	16.00	IS3	1,000.42	SCE-48P42	45.00	39.00	177.24
SCE-426012WFALP	42.00	60.00	12.00	IS3	1,040.65	SCE-60BFP42	56.00	38.00	230.41
SCE-426016WFALP	42.00	60.00	16.00	IS3	1,193.48	SCE-60BFP42	56.00	38.00	230.41
SCE-484812WFLP	48.00	48.00	12.00	IS3	973.60	SCE-48P48	44.00	44.00	212.67
SCE-484816WFLP	48.00	48.00	16.00	IS3	1,138.64	SCE-48P48	44.00	44.00	212.67

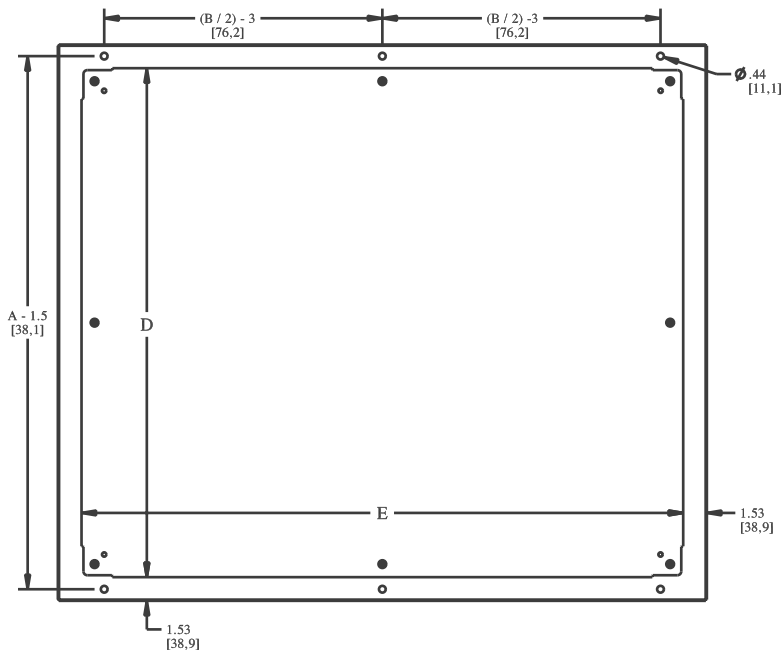
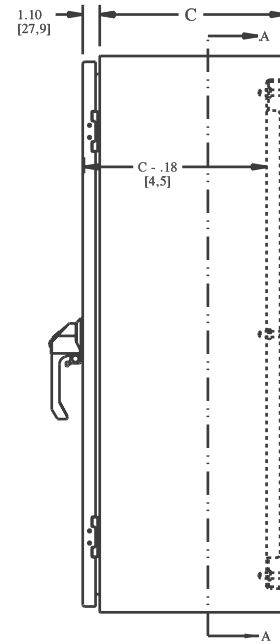
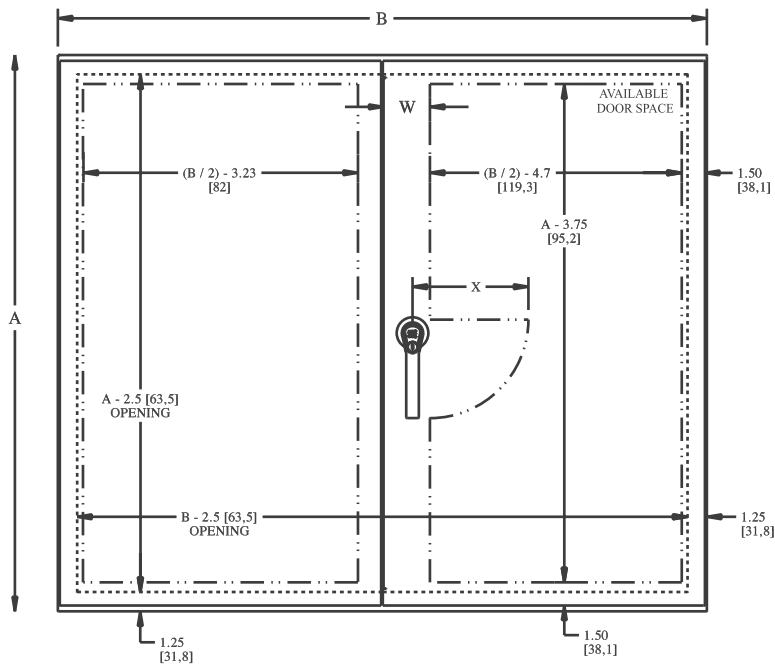


Phone (989) 799-6871
 Fax (989) 799-4524



OVERLAPPING TWO-DOOR WALL-MOUNT ENCLOSURES

TECHNICAL DATA



SECTION A-A

HANDLE NOTES:

Enclosures ≤ 42.00 [1067] in height
 $X = 5.50$ [140] and uses 5.00 [127]
 key-locking/padlocking handle.

Enclosures > 42.00 [1067] in height
 $X = 6.75$ [171] and uses 7.00 [178]
 key-locking/padlocking handle

$W = 3.63$ [92,2] with 7.00 [177,8] handle

$W = 3.00$ [76,2] with 5.00 [127] handle



Phone (989) 799-6871
 Fax (989) 799-4524

Enviroline® Series Single-Door Enclosures For Flange-Mounted Disconnects

Application -

Designed to house most standard type disconnects. For outdoor application a drip shield is recommended. For installation information, consult our Installation Manual at www.saginawcontrol.com.

Construction -

- 0.075" carbon steel.
- Seams continuously welded and ground smooth.
- Flange trough collar around all sides of door opening.
- Oil-resistant gasket.
- Collar studs provided for mounting optional sub-panels.
- Disconnect cutout provided on flange.
- Concealed hinges.
- Doors are interchangeable and easily removed by pulling hinge pins.
- 3-point latching mechanism.
- Latches are opened or closed with a screwdriver (optional tamper-resistant inserts are available).
- Mounting holes on back of enclosure.
- Mounting hardware, sealing washers, and hole plugs included.
- Ground studs on door and body.
- Removable print pocket.
- Black zinc die cast coinproof/padlocking handle.
- Provision for Lifting Lugs included on enclosures with Height >48" and with Depth >16". Lifting Lug assembly will be included with the enclosure bolt pack and hole plugs provided to seal holes in bottom of enclosure.

Disconnect switch (or circuit breaker) and operating mechanism are not furnished with this enclosure.

Finish -

ANSI-61 gray powder coated inside and out. Optional sub-panels powder coated white.

IS3 - Industry Standards -

NEMA Type 3R, 12 & Type 13
 UL Listed Type 3R & 12
 CSA Type 3R & 12
 IEC 60529 IP55

IS4 - Industry Standards -

NEMA Type 3R, 4, 12 & Type 13
 UL Listed Type 3R, 4 & 12
 CSA Type 3R, 4 & 12
 IEC 60529 IP66

***Special Instructions apply for IS3, IS4 and IS6 to maintain the environmental rating of Type 3R for these parts. See the Special Instructions on the Industry Standards page in the Technical Information Section.

ENVIROLINE® SERIES SINGLE-DOOR ENCLOSURES FOR FLANGE-MOUNTED DISCONNECTS

ENCLOSURES PRODUCT CODE E3						SUB-PANEL (P3)			
Catalog No.	Height (A)	Width (B)	Depth (C)	Industry Standard	List Price	Catalog No.	Panel Height (D)	Panel Width (E)	List Price
SCE-20XEL2108LP	20.00	21.38	8.00	IS4	349.36	SCE-20P20	17.00	17.00	35.44
SCE-20XEL2110LP	20.00	21.38	10.00	IS4	367.82	SCE-20P20	17.00	17.00	35.44
SCE-24XEL2108LP	24.00	21.38	8.00	IS4	376.43	SCE-24P20	21.00	17.00	45.57
SCE-24XEL2508LP	24.00	25.38	8.00	IS4	405.95	SCE-24P24	21.00	21.00	53.18
SCE-24XEL2510LP	24.00	25.38	10.00	IS4	425.65	SCE-24P24	21.00	21.00	53.18
SCE-30XEL2108LP	30.00	21.38	8.00	IS4	431.37	SCE-30P20	27.00	17.00	55.70
SCE-30XEL2508LP	30.00	25.38	8.00	IS4	450.25	SCE-30P24	27.00	21.00	63.29
SCE-30XEL2510LP	30.00	25.38	10.00	IS4	473.62	SCE-30P24	27.00	21.00	63.29
SCE-36XEL2508LP	36.00	25.38	8.00	IS4	496.98	SCE-36P24	33.00	21.00	75.96
SCE-36XEL2510LP	36.00	25.38	10.00	IS4	521.58	SCE-36P24	33.00	21.00	75.96
SCE-36XEL3108LP	36.00	31.38	8.00	IS4	554.81	SCE-36P30	33.00	27.00	101.27
SCE-36XEL3110LP	36.00	31.38	10.00	IS4	586.79	SCE-36P30	33.00	27.00	101.27
SCE-36XEL3112LP	36.00	31.38	12.00	IS4	618.78	SCE-36P30	33.00	27.00	101.27
SCE-36XEL3116LP	36.00	31.38	16.00	IS4	675.37	SCE-36P30	33.00	27.00	101.27
SCE-42XEL3110LP	42.00	31.38	10.00	IS4	642.15	SCE-42P30	39.00	27.00	116.47
SCE-42XEL3112LP	42.00	31.38	12.00	IS4	676.59	SCE-42P30	39.00	27.00	116.47
SCE-42XEL3116LP	42.00	31.38	16.00	IS4	735.64	SCE-42P30	39.00	27.00	116.47
SCE-42XEL3710LP	42.00	37.38	10.00	IS4	699.97	SCE-42P36	39.00	33.00	136.72
SCE-42XEL3712LP	42.00	37.38	12.00	IS4	752.87	SCE-42P36	39.00	33.00	136.72
SCE-42XEL3712LP12	0.00	0.00	0.00	#N/A!	0.00	SCE-42P36	39.00	33.00	136.72
SCE-42XEL3716LP	42.00	37.38	16.00	IS4	826.68	SCE-42P36	39.00	33.00	136.72
SCE-48XEL3710LP	48.00	37.38	10.00	IS4	778.70	SCE-48P36	45.00	33.00	154.46
SCE-48XEL3712LP	48.00	37.38	12.00	IS4	820.53	SCE-48P36	45.00	33.00	154.46
SCE-48XEL3712LP12	48.00	37.38	12.00	IS3	800.53	SCE-48P36	45.00	33.00	154.46
SCE-48XEL3716LP	48.00	37.38	16.00	IS4	889.41	SCE-48P36	45.00	33.00	154.46
SCE-60XEL3710LP	60.00	37.38	10.00	IS4	907.87	SCE-60P36	57.00	33.00	189.89
SCE-60XEL3712LP	60.00	37.38	12.00	IS4	953.38	SCE-60P36	57.00	33.00	189.89
SCE-60XEL3716LP	60.00	37.38	16.00	IS4	1,040.74	SCE-60P36	57.00	33.00	189.89
SCE-60XEL3716LP12	60.00	37.38	16.00	IS3	1,020.74	SCE-60P36	57.00	33.00	189.89

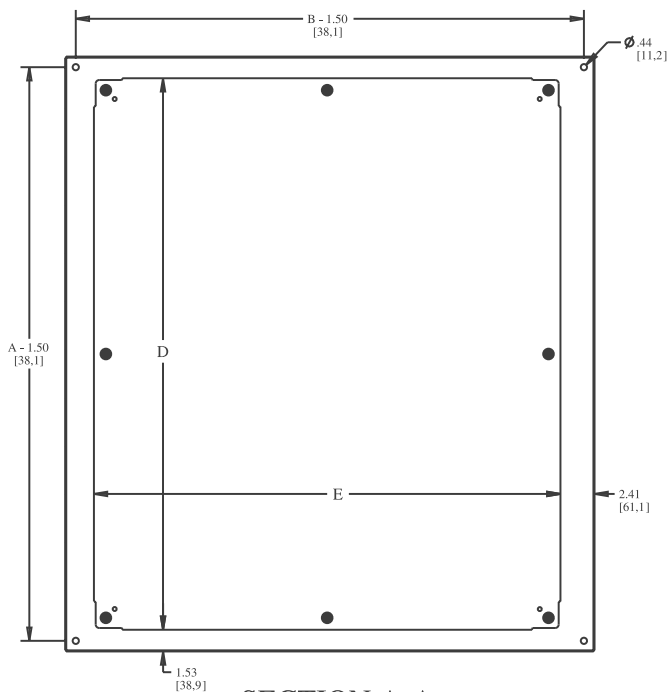
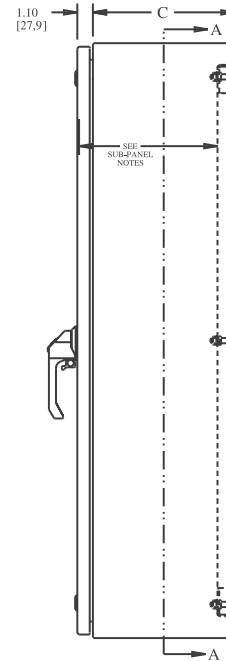
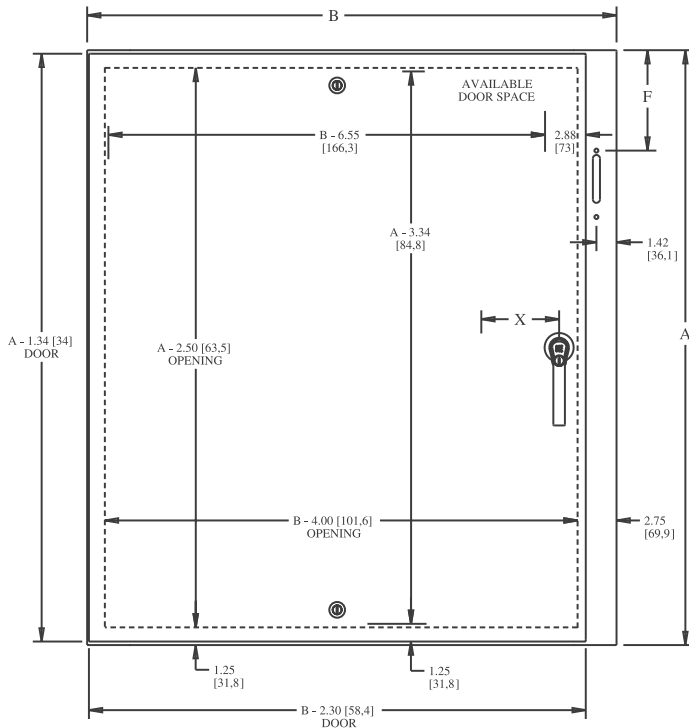
Part numbers that end in "LP12" omit center quarter turn latches on the top and bottom of the door.



Phone (989) 799-6871
 Fax (989) 799-4524



ENVIROLINE® SERIES SINGLE-DOOR ENCLOSURES FOR FLANGE-MOUNTED DISCONNECTS TECHNICAL DATA



SECTION A-A

SUB-PANEL NOTES:
Dimensions are from the inside of the door.
C + .32 [8,1] for flat sub-panels
C - .18 [4,5] for bent sub-panels

DISCONNECT NOTES:
F = 4.75 [121] when C = 8.00 [203]
F = 7.09 [180] when C = 10.00 [254]
F = 11.62 [295] when C = 12.00 [304]
F = 11.62 [295] when C = 16.00 [406]
F = 18.38 [467] for SCE-60XEL3712LP4

LATCH NOTES:
Omit center latch top and bottom of door
when door width is ≤ 30.00 " [762]

HANDLE NOTES:
On enclosures ≤ 42.00 [1067]
X = 5.50 [140] and use 5.00 [127]
padlocking handle with coin-proof.

On enclosures > 42.00 [1067]
X = 6.75 [171] and use 7.00 [178]
padlocking handle with coin-proof.

Enclosures with a height dimension
 < 40.00 [1016] have a 2-point door
closing mechanism.

Enclosures with a height dimension of
 ≥ 40.00 [1016] have a 3-point door
latching mechanism.

CONSTRUCTION NOTES:
Door will be 0.125 [3,1] thick material
when enclosure height is ≥ 42.00 and
door width is > 24.00



Phone (989) 799-6871
Fax (989) 799-4524

Enviroline® Series Single-Door Enclosures For Flange-Mounted Disconnects (RAL 7035)

Application -

Designed to house most standard type disconnects. For outdoor application a drip shield is recommended. For installation information, consult our Installation Manual at www.saginawcontrol.com.

Construction -

- 0.075" carbon steel.
- Seams continuously welded and ground smooth.
- Flange trough collar around all sides of door opening.
- Oil-resistant gasket.
- Collar studs provided for mounting optional sub-panels.
- Disconnect cutout provided on flange.
- Concealed hinges.
- Doors are interchangeable and easily removed by pulling hinge pins.
- 3-point latching mechanism.
- Latches are opened or closed with a screwdriver (optional tamper-resistant inserts are available).
- Mounting holes on back of enclosure.
- Mounting hardware, sealing washers, and hole plugs included.
- Ground studs on door and body.
- Removable print pocket.
- Black zinc die cast coinproof/padlocking handle.
- Provision for Lifting Lugs included on enclosures with Height >48" and with Depth >16". Lifting Lug assembly will be included with the enclosure bolt pack and hole plugs provided to seal holes in bottom of enclosure.

Disconnect switch (or circuit breaker) and operating mechanism are not furnished with this enclosure.

Finish -

RAL 7035 gray powder coated inside and out. Optional sub-panels powder coated white.

IS3 - Industry Standards -

NEMA Type 3R, 12 & Type 13
 UL Listed Type 3R & 12
 CSA Type 3R & 12
 IEC 60529 IP55

IS4 - Industry Standards -

NEMA Type 3R, 4, 12 & Type 13
 UL Listed Type 3R, 4 & 12
 CSA Type 3R, 4 & 12
 IEC 60529 IP66

***Special Instructions apply for IS3, IS4 and IS6 to maintain the environmental rating of Type 3R for these parts. See the Special Instructions on the Industry Standards page in the Technical Information Section.

ENVIROLINE® SERIES SINGLE-DOOR ENCLOSURES FOR FLANGE-MOUNTED DISCONNECTS - RAL 7035

ENCLOSURES PRODUCT CODE E3						SUB-PANEL (P3)			
Catalog No.	Height (A)	Width (B)	Depth (C)	Industry Standard	List Price	Catalog No.	Panel Height (D)	Panel Width (E)	List Price
SCE-20XEL2108LPLG	20.00	21.38	8.00	IS4	349.36	SCE-20P20	17.00	17.00	35.44
SCE-20XEL2110LPLG	20.00	21.38	10.00	IS4	367.82	SCE-20P20	17.00	17.00	35.44
SCE-24XEL2108LPLG	24.00	21.38	8.00	IS4	376.43	SCE-24P20	21.00	17.00	45.57
SCE-24XEL2508LPLG	24.00	25.38	8.00	IS4	405.95	SCE-24P24	21.00	21.00	53.18
SCE-24XEL2510LPLG	24.00	25.38	10.00	IS4	425.65	SCE-24P24	21.00	21.00	53.18
SCE-30XEL2108LPLG	30.00	21.38	8.00	IS4	431.37	SCE-30P20	27.00	17.00	55.70
SCE-30XEL2508LPLG	30.00	25.38	8.00	IS4	450.25	SCE-30P24	27.00	21.00	63.29
SCE-30XEL2510LPLG	30.00	25.38	10.00	IS4	473.62	SCE-30P24	27.00	21.00	63.29
SCE-36XEL2508LPLG	36.00	25.38	8.00	IS4	496.98	SCE-36P24	33.00	21.00	75.96
SCE-36XEL2510LPLG	36.00	25.38	10.00	IS4	521.58	SCE-36P24	33.00	21.00	75.96
SCE-36XEL3108LPLG	36.00	31.38	8.00	IS4	554.81	SCE-36P30	33.00	27.00	101.27
SCE-36XEL3110LPLG	36.00	31.38	10.00	IS4	586.79	SCE-36P30	33.00	27.00	101.27
SCE-36XEL3112LPLG	36.00	31.38	12.00	IS4	618.78	SCE-36P30	33.00	27.00	101.27
SCE-36XEL3116LPLG	36.00	31.38	16.00	IS4	675.37	SCE-36P30	33.00	27.00	101.27
SCE-42XEL3110LPLG	42.00	31.38	10.00	IS4	642.15	SCE-42P30	39.00	27.00	116.47
SCE-42XEL3112LPLG	42.00	31.38	12.00	IS4	676.59	SCE-42P30	39.00	27.00	116.47
SCE-42XEL3116LPLG	42.00	31.38	16.00	IS4	735.64	SCE-42P30	39.00	27.00	116.47
SCE-42XEL3710LPLG	42.00	37.38	10.00	IS4	699.97	SCE-42P36	39.00	33.00	136.72
SCE-42XEL3712LPLG	42.00	37.38	12.00	IS4	752.87	SCE-42P36	39.00	33.00	136.72
SCE-42XEL3712LP12LG	42.00	37.38	12.00	IS3	908.37	SCE-42P36	39.00	33.00	136.72
SCE-42XEL3716LPLG	42.00	37.38	16.00	IS4	826.68	SCE-42P36	39.00	33.00	136.72
SCE-48XEL3710LPLG	48.00	37.38	10.00	IS4	778.70	SCE-48P36	45.00	33.00	154.46
SCE-48XEL3712LPLG	48.00	37.38	12.00	IS4	820.53	SCE-48P36	45.00	33.00	154.46
SCE-48XEL3712LP12LG	48.00	37.38	12.00	IS3	800.53	SCE-48P36	45.00	33.00	154.46
SCE-48XEL3716LPLG	48.00	37.38	16.00	IS4	889.41	SCE-48P36	45.00	33.00	154.46
SCE-60XEL3710LPLG	60.00	37.38	10.00	IS4	907.87	SCE-60P36	57.00	33.00	189.89
SCE-60XEL3712LPLG	60.00	37.38	12.00	IS4	953.38	SCE-60P36	57.00	33.00	189.89
SCE-60XEL3716LPLG	60.00	37.38	16.00	IS4	1,040.74	SCE-60P36	57.00	33.00	189.89
SCE-60XEL3716LP12LG	60.00	37.38	16.00	IS3	1,020.74	SCE-60P36	57.00	33.00	189.89

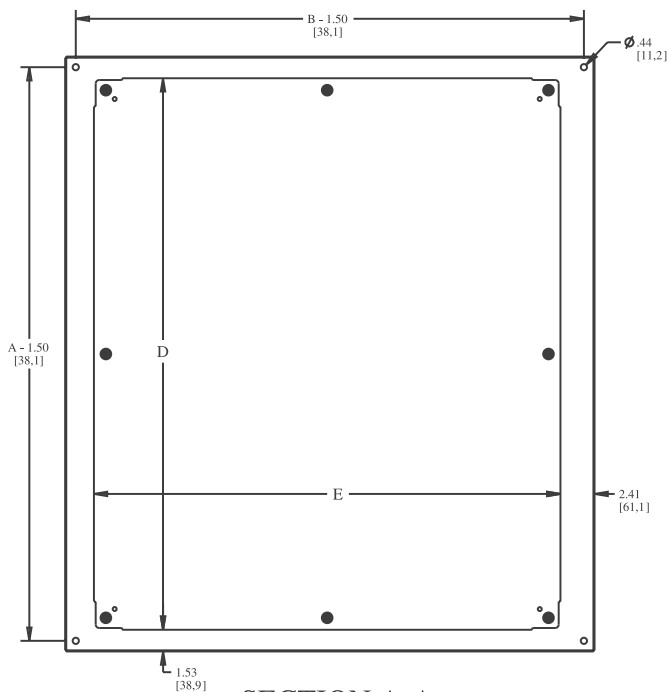
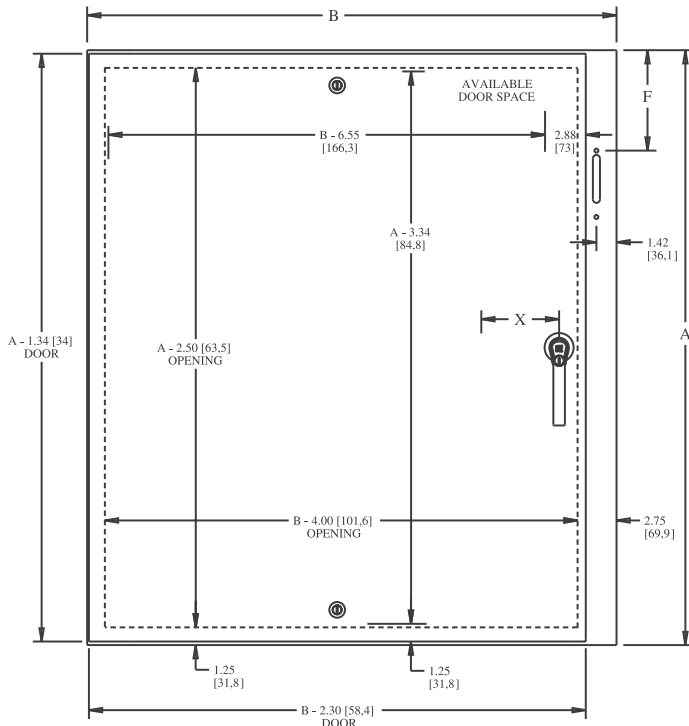
Part numbers that end in "LP12LG" omit center quarter turn latches on the top and bottom of the door.



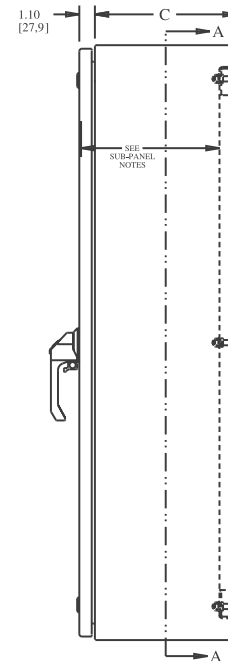
Phone (989) 799-6871
 Fax (989) 799-4524



ENVIROLINE® SERIES SINGLE-DOOR ENCLOSURES FOR FLANGE-MOUNTED DISCONNECTS - RAL 7035 TECHNICAL DATA



SECTION A-A



SUB-PANEL NOTES:
Dimensions are from the inside of the door.
C + .32 [8,1] for flat sub-panels
C - .18 [4,5] for bent sub-panels

DISCONNECT NOTES:
F = 4.75 [121] when C = 8.00 [203]
F = 7.09 [180] when C = 10.00 [254]
F = 11.62 [295] when C = 12.00 [304]
F = 11.62 [295] when C = 16.00 [406]
F = 18.38 [467] for SCE-60XEL3712LP4

LATCH NOTES:
Omit center latch top and bottom of door
when door width is ≤ 30.00 " [762]

HANDLE NOTES:
On enclosures ≤ 42.00 [1067]
X = 5.50 [140] and use 5.00 [127]
padlocking handle with coin-proof.

On enclosures > 42.00 [1067]
X = 6.75 [171] and use 7.00 [178]
padlocking handle with coin-proof.

Enclosures with a height dimension
 < 40.00 [1016] have a 2-point door
closing mechanism.

Enclosures with a height dimension of
 ≥ 40.00 [1016] have a 3-point door
latching mechanism.

CONSTRUCTION NOTES:
Door will be 0.125 [3,1] thick material
when enclosure height is ≥ 42.00 and
door width is > 24.00



Phone (989) 799-6871
Fax (989) 799-4524

Single-Door Enclosures For Flange-Mounted Disconnects with SCE Door Hardware

Application -

Designed to house most standard type disconnects. For outdoor application a drip shield is recommended. For installation information, consult our Installation Manual at www.saginawcontrol.com.

Construction -

- 0.075" carbon steel.
- Seams continuously welded and ground smooth.
- Flange trough collar around all sides of door opening.
- Concealed hinges.
- Removable print pocket.
- Oil-resistant gasket.
- Collar studs provided for mounting optional sub-panels.
- Cutouts provided in flange for mounting disconnect operating handle.
- Ground stud on door and body.
- 3-point latching mechanism.
- Black zinc die cast coinproof/padlocking handle.
- Welded mounting provision top and bottom of back.
- Provision for Lifting Lugs included on enclosures with Height >48" and with Depth >16". Lifting Lug assembly will be included with the enclosure bolt pack hole plugs provided to seal holes in bottom of enclosure.

Disconnect switch (or circuit breaker) and operating mechanism are not furnished with this enclosure.

Finish -

ANSI-61 gray powder coated inside and out. Optional sub-panels powder coated white.

IS3 - Industry Standards -

NEMA Type 3R, 12 & Type 13
 UL Listed Type 3R & 12
 CSA Type 3R & 12
 IEC 60529 IP55

***Special Instructions apply for IS3, IS4 and IS6 to maintain the environmental rating of Type 3R for these parts. See the Special Instructions on the Industry Standards page in the Technical Information Section.

SINGLE-DOOR ENCLOSURES FOR FLANGE-MOUNTED DISCONNECTS WITH SCE DOOR HARDWARE

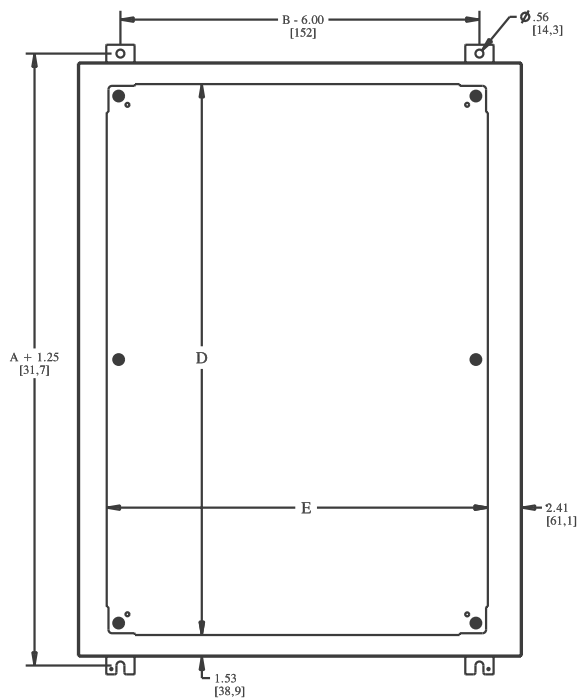
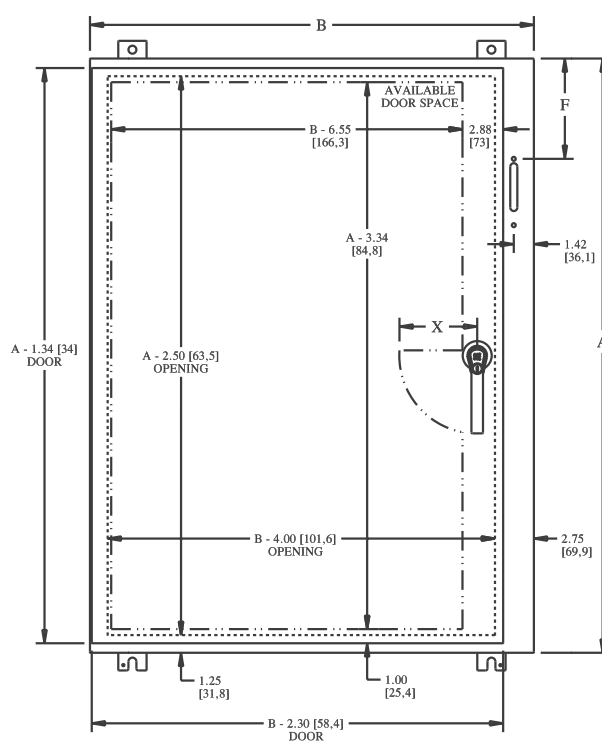
ENCLOSURE PRODUCT CODE A5						SUB-PANEL (P3)			
Catalog No.	Height (A)	Width (B)	Depth (C)	Industry Standard	List Price	Catalog No.	Panel Height (D)	Panel Width (E)	List Price
SCE-20SA2208LPPL	20.00	21.38	8.00	IS3	465.86	SCE-20P20	17.00	17.00	35.44
SCE-20SA2210LPPL	20.00	21.38	10.00	IS3	483.60	SCE-20P20	17.00	17.00	35.44
SCE-24SA2208LPPL	24.00	21.38	8.00	IS3	491.19	SCE-24P20	21.00	17.00	45.57
SCE-24SA2210LPPL	24.00	21.38	10.00	IS3	511.43	SCE-24P20	21.00	17.00	45.57
SCE-24SA2212LPPL	24.00	21.38	12.00	IS3	455.45	SCE-24P20	21.00	17.00	45.57
SCE-24SA2608LPPL	24.00	25.38	8.00	IS3	521.57	SCE-24P24	21.00	21.00	53.18
SCE-24SA2610LPPL	24.00	25.38	10.00	IS3	541.83	SCE-24P24	21.00	21.00	53.18
SCE-30SA2208LPPL	30.00	21.38	8.00	IS3	529.16	SCE-30P20	27.00	17.00	55.70
SCE-30SA2210LPPL	30.00	21.38	10.00	IS3	554.48	SCE-30P20	27.00	17.00	55.70
SCE-30SA2608LPPL	30.00	25.38	8.00	IS3	564.62	SCE-30P24	27.00	21.00	63.29
SCE-30SA2610LPPL	30.00	25.38	10.00	IS3	589.92	SCE-30P24	27.00	21.00	63.29
SCE-30SA2612LPPL	30.00	25.38	12.00	IS3	615.25	SCE-30P24	27.00	21.00	63.29
SCE-36SA2608LPPL	36.00	25.38	8.00	IS3	594.99	SCE-36P24	33.00	21.00	75.96
SCE-36SA2610LPPL	36.00	25.38	10.00	IS3	638.03	SCE-36P24	33.00	21.00	75.96
SCE-36SA3208LPPL	36.00	31.38	8.00	IS3	670.95	SCE-36P30	33.00	27.00	101.27
SCE-36SA3210LPPL	36.00	31.38	10.00	IS3	703.87	SCE-36P30	33.00	27.00	101.27
SCE-36SA3212LPPL	36.00	31.38	12.00	IS3	734.24	SCE-36P30	33.00	27.00	101.27
SCE-36SA3216LPPL	36.00	31.38	16.00	IS3	792.49	SCE-36P30	33.00	27.00	101.27
SCE-42SA3208LPPL	42.00	31.38	8.00	IS3	726.65	SCE-42P30	39.00	27.00	116.47
SCE-42SA3210LPPL	42.00	31.38	10.00	IS3	759.57	SCE-42P30	39.00	27.00	116.47
SCE-42SA3212LPPL	42.00	31.38	12.00	IS3	792.49	SCE-42P30	39.00	27.00	116.47
SCE-42SA3216LPPL	42.00	31.38	16.00	IS3	849.45	SCE-42P30	39.00	27.00	116.47
SCE-42SA3808LPPL	42.00	37.38	8.00	IS3	795.01	SCE-42P36	39.00	33.00	136.72
SCE-42SA3810LPPL	42.00	37.38	10.00	IS3	830.47	SCE-42P36	39.00	33.00	136.72
SCE-42SA3812LPPL	42.00	37.38	12.00	IS3	868.44	SCE-42P36	39.00	33.00	136.72
SCE-42SA3816LPPL	42.00	37.38	16.00	IS3	917.82	SCE-42P36	39.00	33.00	136.72
SCE-48SA2610LPPL	48.00	25.38	10.00	IS3	868.44	SCE-48P24	45.00	21.00	98.74
SCE-48SA3808LPPL	48.00	37.38	8.00	IS3	858.30	SCE-48P36	45.00	33.00	154.46
SCE-48SA3810LPPL	48.00	37.38	10.00	IS3	896.29	SCE-48P36	45.00	33.00	154.46
SCE-48SA3812LPPL	48.00	37.38	12.00	IS3	936.81	SCE-48P36	45.00	33.00	154.46
SCE-48SA3816LPPL	48.00	37.38	16.00	IS3	1,015.30	SCE-48P36	45.00	33.00	154.46
SCE-60SA3808LPPL	60.00	37.38	8.00	IS3	979.84	SCE-60P36	57.00	33.00	189.89
SCE-60SA3810LPPL	60.00	37.38	10.00	IS3	1,025.41	SCE-60P36	57.00	33.00	189.89
SCE-60SA3812LPPL	60.00	37.38	12.00	IS3	1,071.00	SCE-60P36	57.00	33.00	189.89
SCE-60SA3816LPPL	60.00	37.38	16.00	IS3	1,159.60	SCE-60P36	57.00	33.00	189.89



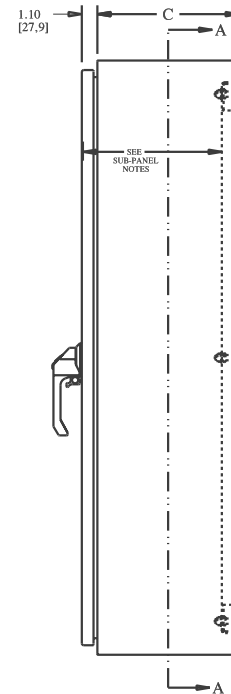
Phone (989) 799-6871
 Fax (989) 799-4524



SINGLE-DOOR ENCLOSURES FOR FLANGE-MOUNTED DISCONNECTS TECHNICAL DATA



SECTION A-A

**SUB-PANEL NOTES:**

Dimensions are from the inside of the door
 $C + .32 [8,1]$ for flat sub-panels
 $C - .18 [4,5]$ for bent sub-panels

DISCONNECT NOTES:

$F = 4.75 [121]$ when $C = 8.00 [203]$
 $F = 7.09 [180]$ when $C = 10.00 [254]$
 $F = 11.62 [295]$ when $C = 12.00 [304]$
 $F = 11.62 [295]$ when $C = 16.00 [406]$
 $F = 18.38 [467]$ for SCE-60SA3824LPPL

HANDLE NOTES:

On enclosures $\leq 42.00 [1067]$
 $X = 5.50 [140]$ and use 5.00 [127]
 padlocking handle with coin-proof.

On enclosures $> 42.00 [1067]$
 $X = 6.75 [171]$ and use 7.00 [178]
 padlocking handle with coin-proof.

Enclosures with a height dimension
 $< 40.00 [1016]$ have a 2-point door
 closing mechanism.

Enclosures with a height dimension of
 $\geq 40.00 [1016]$ have a 3-point door
 latching mechanism.

Clamp Fastened Single-Door Enclosures For Flange-Mounted Disconnects

Application -

Designed to house most standard type disconnects. For outdoor application a drip shield is recommended. For installation information, consult our Installation Manual at www.saginawcontrol.com.

Construction -

- 0.075" carbon steel.
- Seams continuously welded and ground smooth.
- Concealed hinges.
- Door clamps are quick and easy to operate.
- Flange trough collar around all sides of door opening.
- Interior print pocket.
- Collar studs provided for mounting optional sub-panels.
- Oil-resistant door gasket.
- Disconnect cutout provided on flange.
- Ground stud on door and body.
- No stiffener required.
- Welded mounting provision top and bottom of back.
- Provision for Lifting Lugs included on enclosures with Height >48" and with Depth >16". Lifting Lug assembly will be included with the enclosure bolt pack and hole plugs provided to seal holes in bottom of enclosure.

Disconnect switch (or circuit breaker) and operating mechanism are not furnished with this enclosure.

Finish -

ANSI-61 gray powder coated inside and out. Optional sub-panels powder coated white.

IS4 - Industry Standards -

NEMA Type 3R, 4, 12 & Type 13
 UL Listed Type 3R, 4 & 12
 CSA Type 3R, 4 & 12
 IEC 60529 IP66

***Special Instructions apply for IS3, IS4 and IS6 to maintain the environmental rating of Type 3R for these parts. See the Special Instructions on the Industry Standards page in the Technical Information Section.

CLAMP FASTENED SINGLE-DOOR ENCLOSURES FOR FLANGE-MOUNTED DISCONNECTS

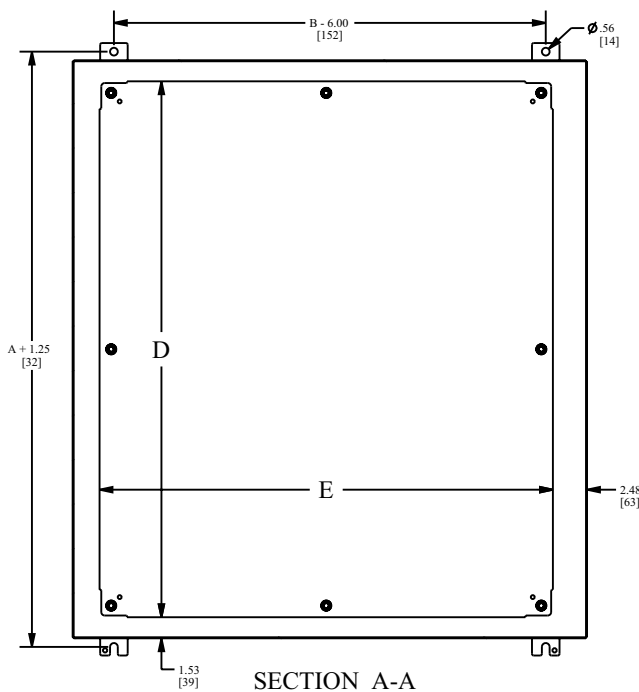
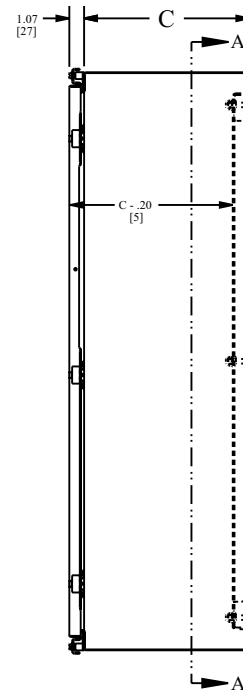
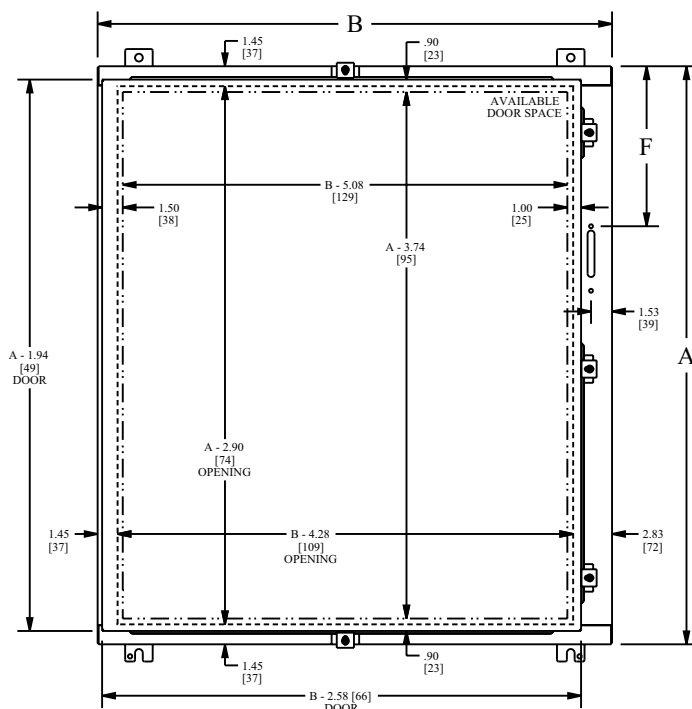
ENCLOSURE PRODUCT CODE A3						SUB-PANEL (P3)			
Catalog No.	Height (A)	Width (B)	Depth (C)	Industry Standard	List Price	Catalog No.	Panel Height (D)	Panel Width (E)	List Price
SCE-24HS2108LP	24.00	21.38	8.00	IS4	456.48	SCE-24P20	21.00	17.00	45.57
SCE-24HS2508LP	24.00	25.38	8.00	IS4	494.10	SCE-24P24	21.00	21.00	53.18
SCE-30HS2508LP	30.00	25.38	8.00	IS4	546.77	SCE-30P24	27.00	21.00	63.29
SCE-36HS2508LP	36.00	25.38	8.00	IS4	601.95	SCE-36P24	33.00	21.00	75.96
SCE-36HS3108LP	36.00	31.38	8.00	IS4	677.19	SCE-36P30	33.00	27.00	101.27
SCE-36HS3112LP	36.00	31.38	12.00	IS4	749.93	SCE-36P30	33.00	27.00	101.27
SCE-42HS3112LP	42.00	31.38	12.00	IS4	822.67	SCE-42P30	39.00	27.00	116.47
SCE-42HS3712LP	42.00	37.38	12.00	IS4	915.47	SCE-42P36	39.00	33.00	136.72
SCE-48HS3712LP	48.00	37.38	12.00	IS4	995.72	SCE-48P36	45.00	33.00	154.46
SCE-60HS3712LP	60.00	37.38	12.00	IS4	1,158.75	SCE-60P36	57.00	33.00	189.89



Phone (989) 799-6871
 Fax (989) 799-4524



CLAMP FASTENED SINGLE-DOOR ENCLOSURES FOR FLANGE-MOUNTED DISCONNECTS TECHNICAL DATA



DISCONNECT NOTES:

F = 8.63 [219] when C = 8.00 [203]
 F = 11.63 [295] when C = 12.00 [304]

CLAMPING NOTE:

Enclosures > 44.00 [1117] in height
 require a fourth clamp located vertically
 on the door.



Phone (989) 799-6871
 Fax (989) 799-4524

- 1 Operator System Enclosures
- 2 Wall-Mount Enclosures
- 3 Free-Standing & Floor-Mounted Enclosures
- 4 Modular Enclosures
- 5 Operator System Enclosures (Stainless Steel)
- 6 Wall-Mount Enclosures (Stainless Steel)
- 7 Free-Standing & Floor-Mounted Enclosures (Stainless Steel)
- 8 Non-Metallic Enclosures
- 9 Accessories
- 10 Technical Information
- 11 Index

Vented Type 3R Disconnect Enclosures

Application -

Designed to house electrical controls, drives, instruments and components used in an outdoor environment to provide a degree of protection for the equipment inside the enclosure against ingress of solid foreign objects (falling dirt); and provide a degree of protection with respect to the harmful effects on the equipment due to the ingress of water (rain, sleet, snow). Designed to house most standard disconnects. For installation information, consult our Installation Manual at www.saginawcontrol.com.

Construction -

- 0.075" galvanized steel.
- 3-point latching mechanism.
- Provisions for sub-panel.
- Doors open 180 degrees.
- Disconnect cutout provided on flange.
- Concealed hinges.
- Vented top hood with bug screen.
- Top mounted fans.
- Vented rain hood with filter kits in door.
- Din Rail mounting provisions inside top for installation of thermostat and terminals.
- Oil resistant gasket.
- Ground studs on door and body.
- Mounting holes for optional mounting straps.
- 3/8-16 grounding kit.
- Sub-panel mounting hardware included.
- 115 volt fan.
- Black zinc die cast coinproof/padlocking handle.

Disconnect switch (or circuit breaker) and operating mechanism are not furnished with this enclosure.

Finish -

White powder coated inside and out.
 Optional sub-panels powder coated white.

IS7 - Industry Standards -

- NEMA Type 3R
- UL Listed Type 3R
- CSA Type 3R
- IEC 60529 IP32

VENTED TYPE 3R ENCLOSURES FOR FLANGE-MOUNTED DISCONNECT

ENCLOSURE PRODUCT CODE N3											
Catalog No.	Height (A)	Width (B)	Depth (C)	Fan Size	Fan Qty.	System CFM	Filter Size	Filter Qty.	Industry Standard	List Price	Sub-Panel
SCE-47XVR2514	47.00	25.38	14.00	10"	1	300	FLT66	2	IS7	1,217.47	SCE-42P24
SCE-53XVR3716	53.00	37.38	16.00	10"	1	300	FLT88	2	IS7	1,852.57	SCE-48P36
SCE-65XVR3716	65.00	37.38	16.00	10"	2	600	FLT88	2	IS7	2,073.52	SCE-60P36

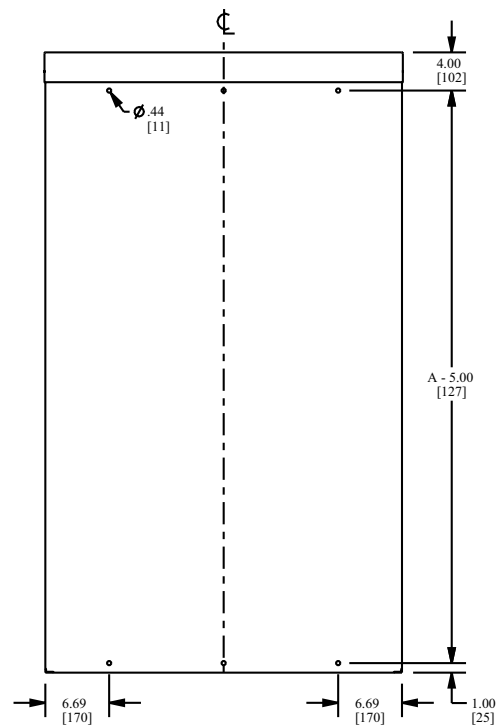
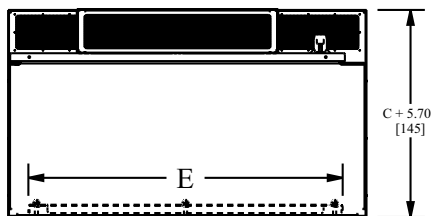
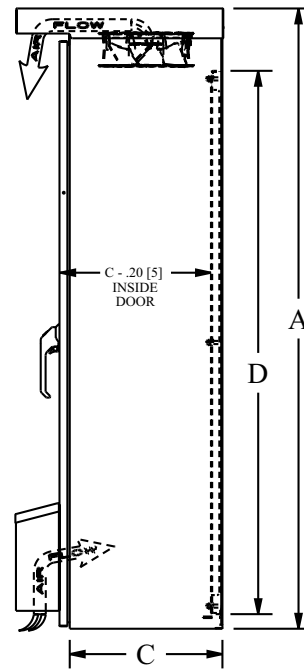
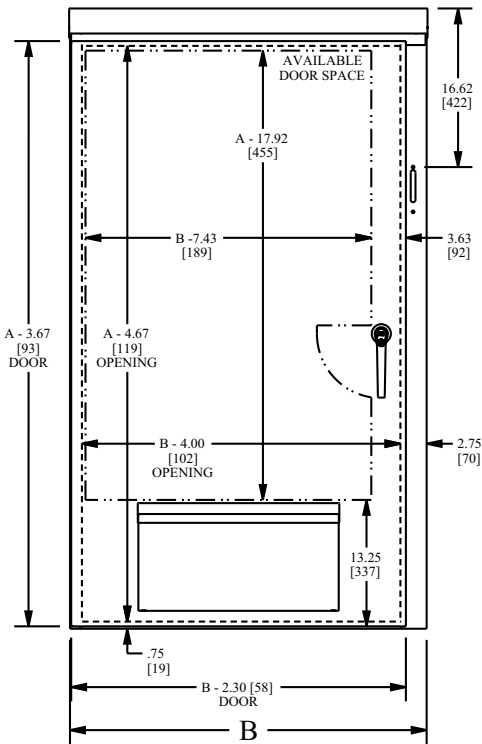


Phone (989) 799-6871
 Fax (989) 799-4524



VENTED TYPE 3R DISCONNECT ENCLOSURES

TECHNICAL DATA



REAR OF ENCLOSURE



Phone (989) 799-6871
Fax (989) 799-4524

- 1 Operator System Enclosures
- 2 Wall-Mount Enclosures
- 3 Free-Standing & Floor-Mounted Enclosures
- 4 Modular Enclosures
- 5 Operator System Enclosures (Stainless Steel)
- 6 Wall-Mount Enclosures (Stainless Steel)
- 7 Free-Standing & Floor-Mounted Enclosures (Stainless Steel)
- 8 Non-Metallic Enclosures
- 9 Accessories
- 10 Technical Information
- 11 Index

Vented Type 3R Enclosures

Application -

Designed to house electrical controls, drives, instruments and components used in an outdoor environment to provide a degree of protection for the equipment inside the enclosure against the ingress of solid foreign objects (falling dirt); and provide a degree of protection with respect to the harmful effects on the equipment due to the ingress of water (rain, sleet, snow). For installation information, consult our Installation Manual at www.saginawcontrol.com.

Construction -

- 0.075" galvanized steel.
- Black quarter turn latches and padlock wing knob.
- Provisions for sub-panel.
- Doors open 180 degrees.
- Concealed hinges.
- Vented top hood with bug screen.
- Top mounted fans.
- Vented rain hood with filter kits in door.
- Din Rail mounting provisions inside top for installation of thermostat and terminals.
- Oil resistant gasket.
- Ground studs on door and body.
- Mounting holes for optional mounting straps.
- 3/8-16 grounding kit.
- Sub-panel mounting hardware included.
- 115 volt fan.

Finish -

White powder coated inside and out. Optional sub-panels powder coated white.

IS7 - Industry Standards -

- NEMA Type 3R
- UL Listed Type 3R
- CSA Type 3R
- IEC 60529 IP32

VENTED TYPE 3R ENCLOSURES

ENCLOSURE PRODUCT CODE N3												
Catalog No.	Height (A)	Width (B)	Depth (C)	Fan Size	Fan Qty.	System CFM	Filter Size	Filter Qty.	Industry Standard	List Price	Sub-Panel	
SCE-29VR2412	29.00	24.00	12.00	6"	1	107	FLT66	2	IS7	672.08	SCE-24P24	
SCE-29VR2416	29.00	24.00	16.00	6"	1	107	FLT66	2	IS7	741.77	SCE-24P24	
SCE-35VR2412	35.00	24.00	12.00	6"	1	107	FLT66	2	IS7	751.88	SCE-30P24	
SCE-41VR2412	41.00	24.00	12.00	6"	1	107	FLT66	2	IS7	850.26	SCE-36P24	
SCE-47VR2414	47.00	24.00	14.00	10"	1	300	FLT66	2	IS7	1,027.03	SCE-42P24	
SCE-53VR3616	53.00	36.00	16.00	10"	1	300	FLT88	2	IS7	1,652.13	SCE-48P36	
SCE-65VR3616	65.00	36.00	16.00	10"	2	600	FLT88	2	IS7	1,868.78	SCE-60P36	



Phone (989) 799-6871
 Fax (989) 799-4524



Hinged Cover Type 3R Enclosures

Application -

Designed to house electrical controls, instruments and components in an outdoor environment. Protects against rain, sleet and snow. For installation information, consult our Installation Manual at www.saginawcontrol.com.

Construction -

- 0.048", 0.060" & 0.075" galvanized steel.
- Concealed hinges.
- Spot weld construction.
- Rain cap.
- Mounting holes in back of enclosure.
- Provisions for sub-panel.
- Black quarter turn latches.
- Doors open 180 degrees.
- Black quarter turn latch with padlocking provisions.
- Oil resistant gasket.
- Ground studs on door and body.
- 3/8-16 grounding kit.
- Sub-panel mounting hardware included.

Options -

Optional mounting straps or mounting foot kits available.

Finish -

ANSI-61 gray powder coated inside and out. Optional sub-panels powder coated white.

IS7 - Industry Standards -

- NEMA Type 3R
- UL Listed Type 3R
- CSA Type 3R
- IEC 60529 IP32

HINGED COVER TYPE 3R ENCLOSURES

ENCLOSURE PRODUCT CODE N3						SUB-PANEL (P3)			
Catalog No.	Height (A)	Width (B)	Depth (C)	Industry Standard	List Price	Catalog No.	Panel Height (D)	Panel Width (E)	List Price
SCE-12R1206LP	12.00	12.00	6.00	IS7	76.66	SCE-12DLP12	9.00	9.00	13.67
SCE-12R1208LP	12.00	12.00	8.00	IS7	80.71	SCE-12DLP12	9.00	9.00	13.67
SCE-16R1206LP	16.00	12.00	6.00	IS7	99.88	SCE-16P12	13.00	9.00	14.81
SCE-16R1208LP	16.00	12.00	8.00	IS7	104.67	SCE-16P12	13.00	9.00	14.81
SCE-20R1606LP	20.00	16.00	6.00	IS7	134.15	SCE-20P16	17.00	13.00	30.37
SCE-20R1608LP	20.00	16.00	8.00	IS7	140.54	SCE-20P16	17.00	13.00	30.37
SCE-24R2006LP	24.00	20.00	6.00	IS7	205.54	SCE-24P20	21.00	17.00	45.57
SCE-24R2008LP	24.00	20.00	8.00	IS7	215.39	SCE-24P20	21.00	17.00	45.57
SCE-24R2012LP	24.00	20.00	12.00	IS7	231.21	SCE-24P20	21.00	17.00	45.57
SCE-24R2016LP	24.00	20.00	16.00	IS7	250.38	SCE-24P20	21.00	17.00	45.57
SCE-24R2408LP	24.00	24.00	8.00	IS7	233.57	SCE-24P24	21.00	21.00	53.18
SCE-24R2412LP	24.00	24.00	12.00	IS7	249.82	SCE-24P24	21.00	21.00	53.18
SCE-24R2416LP	24.00	24.00	16.00	IS7	270.42	SCE-24P24	21.00	21.00	53.18
SCE-30R2408LP	30.00	24.00	8.00	IS7	284.18	SCE-30P24	27.00	21.00	63.29
SCE-30R2412LP	30.00	24.00	12.00	IS7	300.86	SCE-30P24	27.00	21.00	63.29
SCE-30R2416LP	30.00	24.00	16.00	IS7	322.06	SCE-30P24	27.00	21.00	63.29
SCE-36R2408LP	36.00	24.00	8.00	IS7	416.42	SCE-36P24	33.00	21.00	75.96
SCE-36R2412LP	36.00	24.00	12.00	IS7	435.69	SCE-36P24	33.00	21.00	75.96
SCE-36R2416LP	36.00	24.00	16.00	IS7	454.97	SCE-36P24	33.00	21.00	75.96
SCE-36R3008LP	36.00	30.00	8.00	IS7	442.40	SCE-36P30	33.00	27.00	101.27
SCE-36R3012LP	36.00	30.00	12.00	IS7	463.04	SCE-36P30	33.00	27.00	101.27
SCE-36R3016LP	36.00	30.00	16.00	IS7	482.10	SCE-36P30	33.00	27.00	101.27
SCE-42R3012LP	42.00	30.00	12.00	IS7	522.38	SCE-42P30	39.00	27.00	116.47
SCE-42R3016LP	42.00	30.00	16.00	IS7	549.06	SCE-42P30	39.00	27.00	116.47

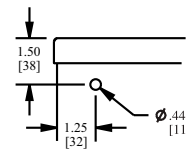
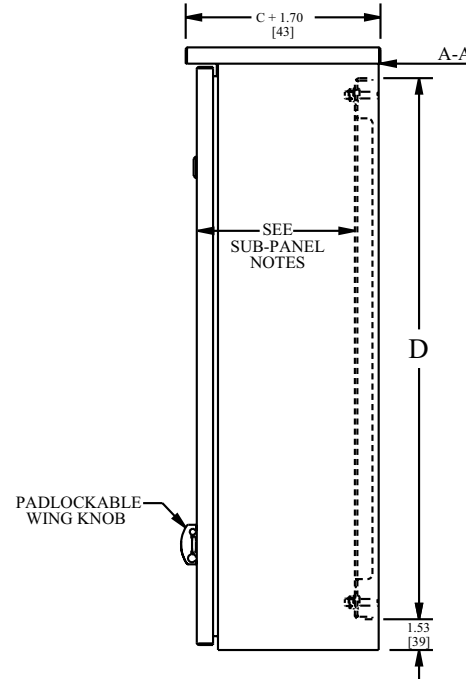
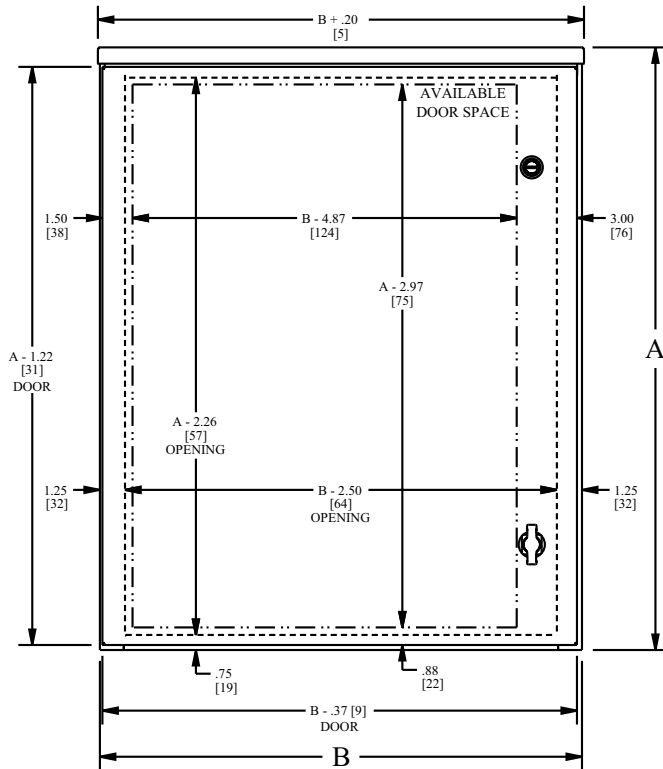


Phone (989) 799-6871
 Fax (989) 799-4524

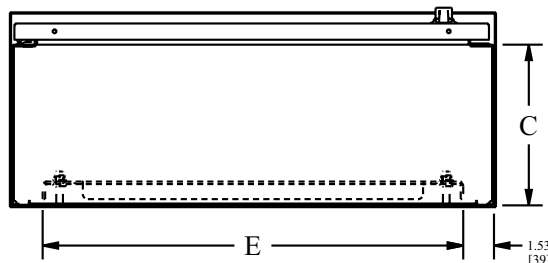


HINGED COVER TYPE 3R ENCLOSURES

TECHNICAL DATA



MOUNTING HOLES
TYPICAL 4 PLACES
DETAIL A-A



LATCH NOTES:

Enclosures < 24.00 [610] high require only one latch centered on door.

Enclosures ≥ 24.00 [610] AND < 40.00 [1016] high require two latches on door

Enclosures ≥ 40.00 [1016] high require three latches.

SUB-PANEL NOTES:

Dimensions are from the inside of the door

$C + 0.32$ [8] for flat sub-panels

$C + 0.18$ [5] for bent sub-panels

Screw Cover Type 3R Enclosures

Application -

Designed to house electrical controls, instruments and components in an outdoor environment. Protects against rain, sleet and snow. For installation information, consult our Installation Manual at www.saginawcontrol.com.

Construction -

- 0.048" & 0.063" galvanized steel.
- Spot weld construction.
- Rain cap.
- Mounting holes in back of enclosure.
- Slip on removable screw cover.
- Padlocking provisions.
- No gasket.
- No sub-panel or provisions.
- Ground studs on door and body.

Options -

Optional mounting straps available.

Finish -

ANSI-61 gray powder coated inside and out.

IS7 - Industry Standards -

- NEMA Type 3R
- UL Listed Type 3R
- CSA Type 3R
- IEC 60529 IP32



SCREW COVER TYPE 3R ENCLOSURES

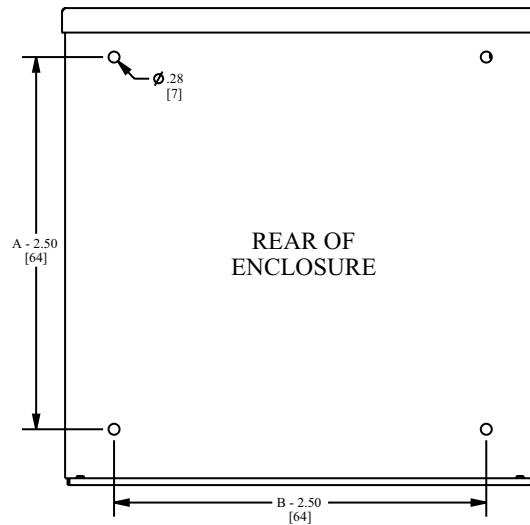
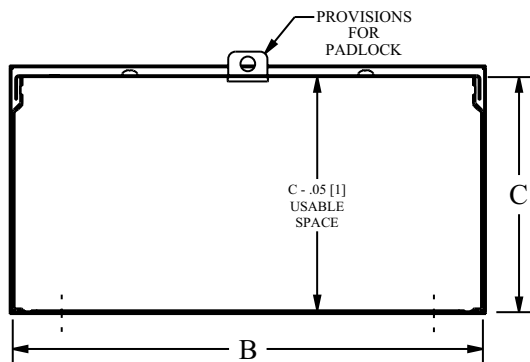
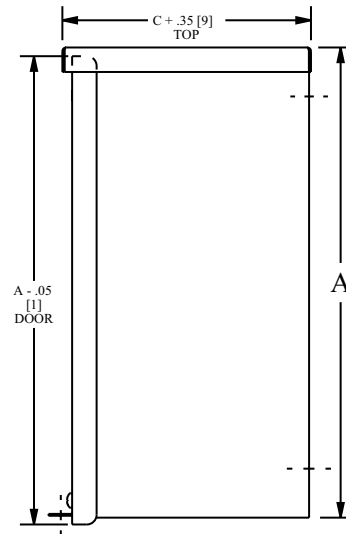
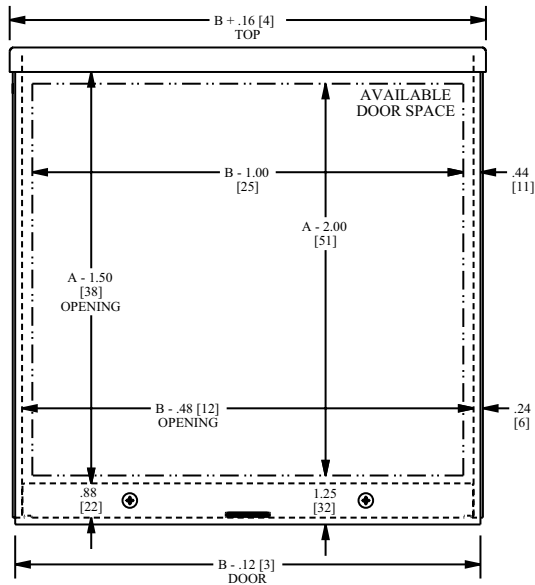
ENCLOSURE PRODUCT CODE N3					
Catalog No.	Height (A)	Width (B)	Depth (C)	Industry Standard	List Price
SCE-4R44	4.00	4.00	4.00	IS7	53.90
SCE-6R64	6.00	6.00	4.00	IS7	56.94
SCE-6R66	6.00	6.00	6.00	IS7	59.27
SCE-8R64	8.00	6.00	4.00	IS7	64.61
SCE-8R66	8.00	6.00	6.00	IS7	70.97
SCE-10R84	10.00	8.00	4.00	IS7	79.20
SCE-10R86	10.00	8.00	6.00	IS7	84.11
SCE-10R104	10.00	10.00	4.00	IS7	95.08
SCE-10R106	10.00	10.00	6.00	IS7	111.58
SCE-12R104	12.00	10.00	4.00	IS7	119.50
SCE-12R106	12.00	10.00	6.00	IS7	124.41
SCE-12R124	12.00	12.00	4.00	IS7	130.75
SCE-12R126	12.00	12.00	6.00	IS7	139.17

Phone (989) 799-6871
 Fax (989) 799-4524



SCREW COVER TYPE 3R ENCLOSURES

TECHNICAL DATA



Phone (989) 799-6871
Fax (989) 799-4524

- 1 Operator System Enclosures
- 2 Wall-Mount Enclosures
- 3 Free-Standing & Floor-Mounted Enclosures
- 4 Modular Enclosures
- 5 Operator System Enclosures (Stainless Steel)
- 6 Wall-Mount Enclosures (Stainless Steel)
- 7 Free-Standing & Floor-Mounted Enclosures (Stainless Steel)
- 8 Non-Metallic Enclosures
- 9 Accessories
- 10 Technical Information
- 11 Index

General Purpose Type 1 Enclosures

Application -

Designed to house electrical controls, instruments and components in areas that do not require oil, water and dust tight protection. For installation information, consult our Installation Manual at www.saginawcontrol.com.

Construction -

- 0.048", 0.060" & 0.075" carbon steel depending on its size.
- Spot weld construction.
- Standoffs provided for mounting optional sub-panels.
- Butt hinge.
- Doors open 180 degrees.
- Black quarter turn latches.
- Latches are opened or closed with a screwdriver.
- Ground stud on door and body.
- Mounting holes in back of enclosure.
- Sub-panel mounting hardware included.

Options -

- Tamper-resistant inserts available.
- Optional mounting straps available.

Finish -

ANSI-61 gray powder coated inside and out. Optional sub-panels powder coated white.

IS8 - Industry Standards -

NEMA Type 1
UL Listed Type 1
CSA Type 1
IEC 60529 IP30



GENERAL PURPOSE TYPE 1 ENCLOSURES

ENCLOSURE PRODUCT CODE N1						SUB-PANEL (N1)			
Catalog No.	Height (A)	Width (B)	Depth (C)	Industry Standard	List Price	Catalog No.	Panel Height (D)	Panel Width (E)	List Price
SCE-6N604LP	6.00	6.00	4.00	IS8	30.27	SCE-6N6MP	4.00	4.00	2.82
SCE-8N604LP	8.00	6.00	4.00	IS8	33.04	SCE-8N6MP	6.00	4.00	3.26
SCE-8N804LP	8.00	8.00	4.00	IS8	36.68	SCE-8N8MP	6.00	6.00	3.82
SCE-8N806LP	8.00	8.00	6.00	IS8	41.28	SCE-8N8MP	6.00	6.00	3.82
SCE-10N804LP	10.00	8.00	4.00	IS8	40.29	SCE-10N8MP	8.00	6.00	4.46
SCE-10N806LP	10.00	8.00	6.00	IS8	45.52	SCE-10N8MP	8.00	6.00	4.46
SCE-10N1004LP	10.00	10.00	4.00	IS8	40.92	SCE-10N10MP	8.00	8.00	5.27
SCE-10N1006LP	10.00	10.00	6.00	IS8	50.23	SCE-10N10MP	8.00	8.00	5.27
SCE-12N1004LP	12.00	10.00	4.00	IS8	48.44	SCE-12N10MP	10.00	8.00	6.03
SCE-12N1006LP	12.00	10.00	6.00	IS8	54.80	SCE-12N10MP	10.00	8.00	6.03
SCE-12N1204LP	12.00	12.00	4.00	IS8	53.05	SCE-12N12MP	10.00	10.00	7.10
SCE-12N1206LP	12.00	12.00	6.00	IS8	60.13	SCE-12N12MP	10.00	10.00	7.10
SCE-12N1208LP	12.00	12.00	8.00	IS8	67.14	SCE-12N12MP	10.00	10.00	7.10
SCE-14N1204LP	14.00	12.00	4.00	IS8	57.79	SCE-14N12MP	12.00	10.00	7.92
SCE-14N1206LP	14.00	12.00	6.00	IS8	65.46	SCE-14N12MP	12.00	10.00	7.92
SCE-14N1208LP	14.00	12.00	8.00	IS8	73.08	SCE-14N12MP	12.00	10.00	7.92
SCE-16N1206LP	16.00	12.00	6.00	IS8	98.04	SCE-16N12MP	14.00	10.00	11.58
SCE-16N1208LP	16.00	12.00	8.00	IS8	106.84	SCE-16N12MP	14.00	10.00	11.58
SCE-16N1606LP	16.00	16.00	6.00	IS8	109.57	SCE-16N16MP	14.00	14.00	19.21
SCE-16N1608LP	16.00	16.00	8.00	IS8	119.19	SCE-16N16MP	14.00	14.00	19.21
SCE-16N2006LP	16.00	20.00	6.00	IS8	121.09	SCE-20N16MP	18.00	14.00	21.62
SCE-20N1606LP	20.00	16.00	6.00	IS8	121.09	SCE-20N16MP	18.00	14.00	21.62
SCE-20N1608LP	20.00	16.00	8.00	IS8	132.41	SCE-20N16MP	18.00	14.00	21.62
SCE-20N2006LP	20.00	20.00	6.00	IS8	132.99	SCE-20N20MP	18.00	18.00	27.84
SCE-20N2008LP	20.00	20.00	8.00	IS8	145.52	SCE-20N20MP	18.00	18.00	27.84
SCE-20N2010LP	20.00	20.00	10.00	IS8	158.06	SCE-20N20MP	18.00	18.00	27.84
SCE-24N1606LP	24.00	16.00	6.00	IS8	131.91	SCE-24N16MP	22.00	14.00	22.89
SCE-24N2006LP	24.00	20.00	6.00	IS8	147.17	SCE-24N20MP	22.00	18.00	31.67
SCE-24N2008LP	24.00	20.00	8.00	IS8	161.03	SCE-24N20MP	22.00	18.00	31.67
SCE-24N2010LP	24.00	20.00	10.00	IS8	174.83	SCE-24N20MP	22.00	18.00	31.67
SCE-24N2406LP	24.00	24.00	6.00	IS8	149.12	SCE-24N24MP	22.00	22.00	36.97
SCE-24N2408LP	24.00	24.00	8.00	IS8	164.32	SCE-24N24MP	22.00	22.00	36.97
SCE-24N2412LP	24.00	24.00	12.00	IS8	194.33	SCE-24N24MP	22.00	22.00	36.97
SCE-30N2406LP	30.00	24.00	6.00	IS8	165.84	SCE-30N24MP	28.00	22.00	43.99
SCE-30N2408LP	30.00	24.00	8.00	IS8	184.23	SCE-30N24MP	28.00	22.00	43.99
SCE-30N2412LP	30.00	24.00	12.00	IS8	216.79	SCE-30N24MP	28.00	22.00	43.99
SCE-30N3008LP	30.00	30.00	8.00	IS8	207.99	SCE-30N30MP	28.00	28.00	58.07
SCE-36N2406LP	36.00	24.00	6.00	IS8	192.87	SCE-36N24MP	34.00	22.00	52.80
SCE-36N2408LP	36.00	24.00	8.00	IS8	211.73	SCE-36N24MP	34.00	22.00	52.80
SCE-36N2412LP	36.00	24.00	12.00	IS8	245.16	SCE-36N24MP	34.00	22.00	52.80
SCE-36N3006LP	36.00	30.00	6.00	IS8	211.16	SCE-36N30MP	34.00	28.00	70.39
SCE-36N3008LP	36.00	30.00	8.00	IS8	231.98	SCE-36N30MP	34.00	28.00	70.39
SCE-36N3012LP	36.00	30.00	12.00	IS8	273.50	SCE-36N30MP	34.00	28.00	70.39

*Perforated sub-panels available in the accessory section.

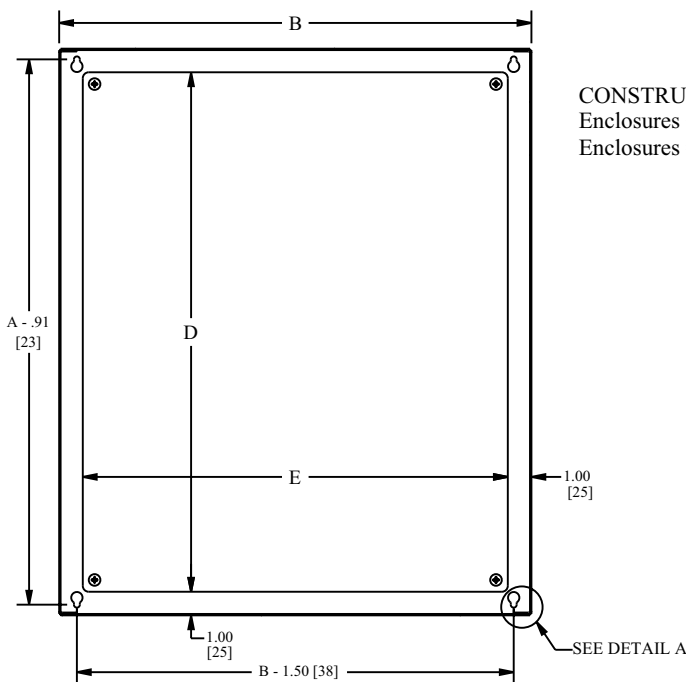
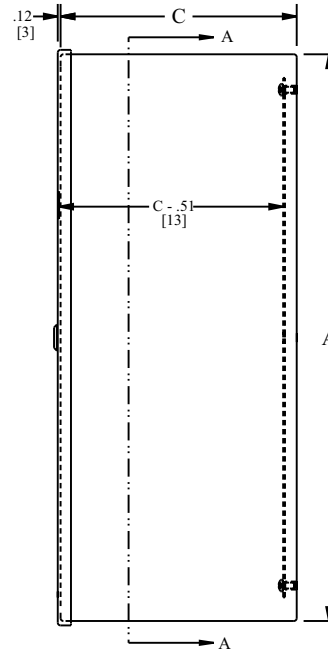
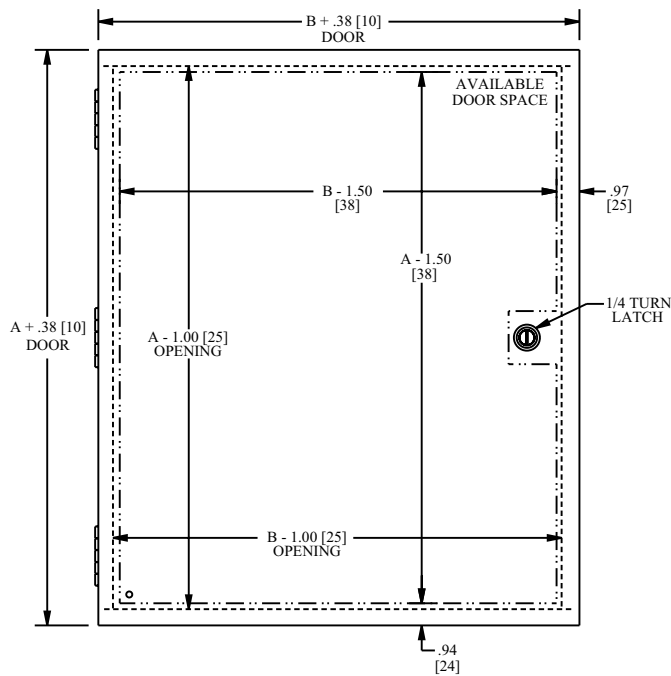
Phone (989) 799-6871
Fax (989) 799-4524



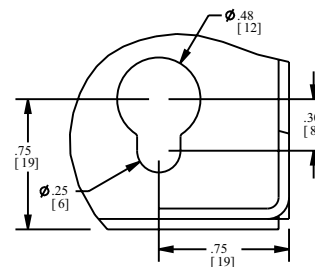
1 Operator System Enclosures
2 Wall-Mount Enclosures
3 Free-Standing & Floor-Mounted Enclosures
4 Modular Enclosures
5 Operator System Enclosures (Stainless Steel)
6 Wall-Mount Enclosures (Stainless Steel)
7 Free-Standing & Floor-Mounted Enclosures (Stainless Steel)
8 Non-Metallic Enclosures
9 Accessories
10 Technical Information
11 Index

GENERAL PURPOSE TYPE 1 ENCLOSURES

TECHNICAL DATA



CONSTRUCTION NOTES:
 Enclosures < 24.00" [610] wide are made of 0.060" [2] material.
 Enclosures => 24.00" [610] wide are made of 0.075" [2] material.



DETAIL A

SECTION A-A



Phone (989) 799-6871
 Fax (989) 799-4524

- 1 Operator System Enclosures
- 2 Wall-Mount Enclosures
- 3 Free-Standing & Floor-Mounted Enclosures
- 4 Modular Enclosures
- 5 Operator System Enclosures (Stainless Steel)
- 6 Wall-Mount Enclosures (Stainless Steel)
- 7 Free-Standing & Floor-Mounted Enclosures (Stainless Steel)
- 8 Non-Metallic Enclosures
- 9 Accessories
- 10 Technical Information
- 11 Index

General Purpose Type 1 Enclosures with Knockouts

Application-

Designed to house electrical controls, instruments and components in areas that do not require oil, water and dust tight protection. For installation information, consult our Installation Manual at www.saginawcontrol.com.

Construction -

- 0.048", 0.063" & 0.075" carbon steel depending on its size.
- Spot weld construction.
- Knockouts provided in the top, bottom, right and left side.
- Standoffs provided for mounting optional sub-panels.
- Butt hinge.
- Doors open 180 degrees.
- Keylocking quarter turn latch.
- Ground stud on door and body.
- Mounting holes in back of enclosure.
- Sub-panel with 2" x 2" mounting grid pattern included.

Options -

Optional mounting feet available.

Finish -

Precaution Blue, Safety Orange or Taupe Tan powder coat finish inside and out. Sub-panels powder coated white.

IS8 - Industry Standards -

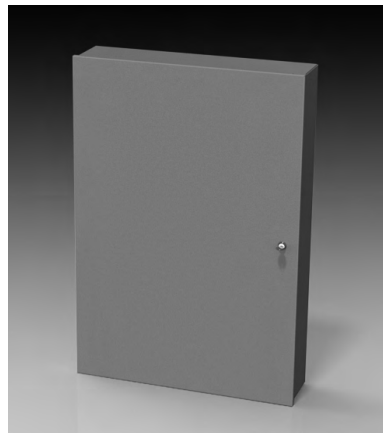
- NEMA Type 1
- UL Listed Type 1
- CSA Type 1
- IEC 60529 IP30

GENERAL PURPOSE TYPE 1 ENCLOSURES WITH KNOCKOUTS

ENCLOSURE PRODUCT CODE N1						SUB-PANEL (N1)		
Catalog No.	Height (A)	Width (B)	Depth (C)	Industry Standard	List Price	Panel Height (D)	Panel Width (E)	List Price
SCE-18N1606NK-T	18.00	16.00	6.00	IS8	128.86	16.006.00	14.00.00	Incl. 120.00
SCE-18N1606NK-B	18.00	16.00	6.00	IS8	128.86	16.006.00	14.00.00	Incl. 120.00
SCE-18N1606NK-O	18.00	16.00	6.00	IS8	128.86	16.006.00	14.00.00	Incl. 120.00
SCE-24N2006NK-T	24.00	20.00	6.00	IS8	152.30	22.002.00	18.00.00	Incl. 150.00
SCE-24N2006NK-B	24.00	20.00	6.00	IS8	152.30	22.002.00	18.00.00	Incl. 150.00
SCE-24N2006NK-O	24.00	20.00	6.00	IS8	152.30	22.002.00	18.00.00	Incl. 150.00
SCE-36N2406NK-T	36.00	24.00	6.00	IS8	234.30	34.004.00	22.00.00	Incl. 200.00
SCE-36N2406NK-B	36.00	24.00	6.00	IS8	234.30	34.004.00	22.00.00	Incl. 200.00

*NL - Non UL Listed 16 ga enclosures.

Note: Part Numbers ending in the letter:
 (B) Precaution Blue
 (O) RAL 8023 Orange
 (T) Taupe Tan

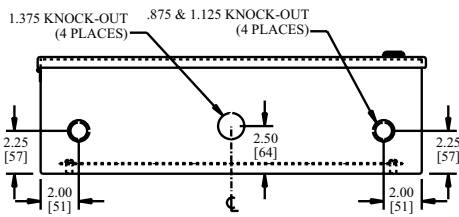
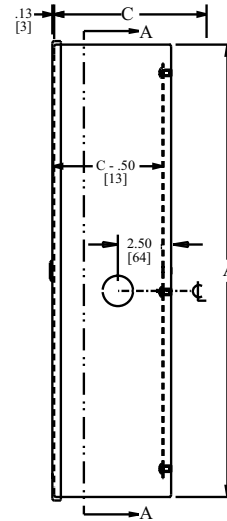
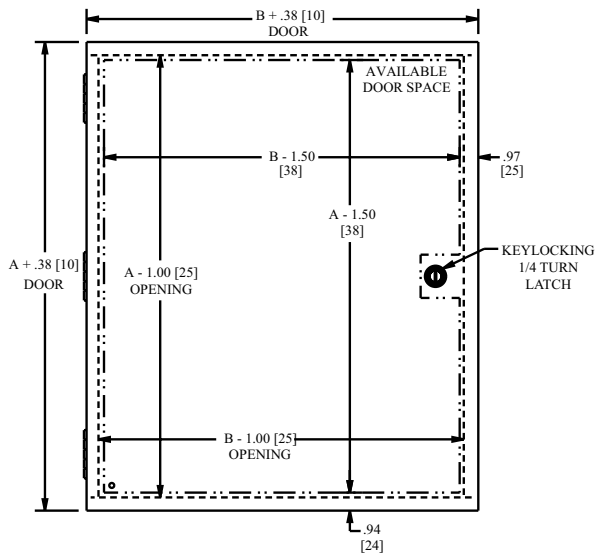


Phone (989) 799-6871
 Fax (989) 799-4524

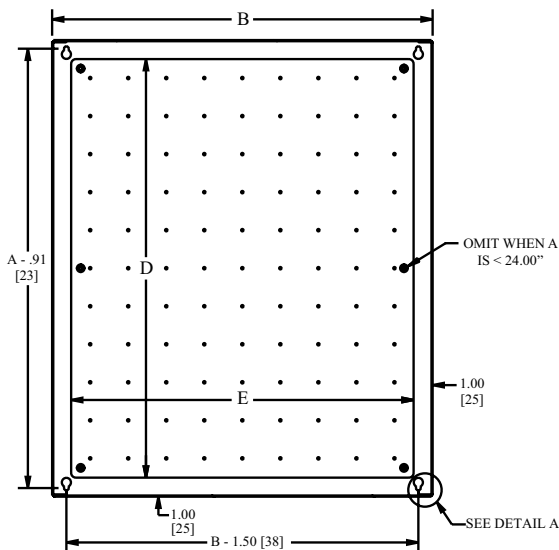


GENERAL PURPOSE TYPE 1 ENCLOSURES WITH KNOCKOUTS

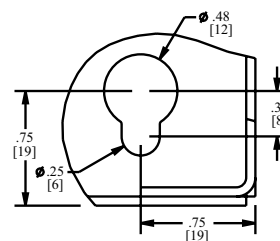
TECHNICAL DATA



CONSTRUCTION NOTES:
 Enclosures < 24.00" [610] wide are made of 0.060" [2] material.
 Enclosures => 24.00" [610] wide are made of 0.075" [2] material.



SECTION A-A



DETAIL A



Phone (989) 799-6871
 Fax (989) 799-4524

NOTES

- 1 Operator System Enclosures
- 2 Wall-Mount Enclosures
- 3 Free-Standing & Floor-Mounted Enclosures
- 4 Modular Enclosures
- 5 Operator System Enclosures (Stainless Steel)
- 6 Wall-Mount Enclosures (Stainless Steel)
- 7 Free-Standing & Floor-Mounted Enclosures (Stainless Steel)
- 8 Non-Metallic Enclosures
- 9 Accessories
- 10 Technical Information
- 11 Index

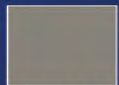
Phone (989) 799-6871
 Fax (989) 799-4524



Waste Water Treatment



Municipality



SCE-09 GRAY
Semi-Gloss



SCE-05 WHITE
Full Gloss



RAL 1015
Beige
Full Gloss



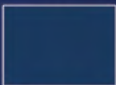
RAL 1018
Yellow
Full Gloss



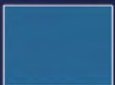
RAL 2004
Orange
Full Gloss



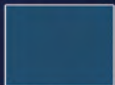
RAL 3000
Red
Full Gloss



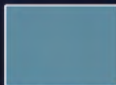
RAL 5010
Blue
Full Gloss



RAL 5015
Blue
Full Gloss



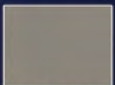
RAL 5019
Blue
Full Gloss



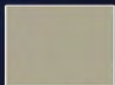
RAL 5024
Blue
Full Gloss



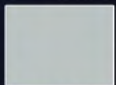
RAL 8023
Orange
Full Gloss



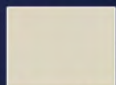
RAL 7030
Gray
Full Gloss



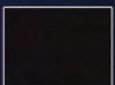
RAL 7032
Gray
Full Gloss



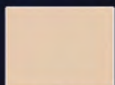
RAL 7035
Gray
Full Gloss



RAL 9002
Gray
Full Gloss



RAL 9011
Black
Sand Texture



RAL 9010
White
Full Gloss

Note: Colors are close representations with standard monitor settings and are not intended for match. Color charts may also vary by manufacturer.

Semi-Gloss = 60 to 70 Gloss Level acc. to ASTM 523 / 60° angle
Full Gloss = 80 to 90 Gloss Level acc. to ASTM 523 / 60° angle

Distribuidor Autorizado - Mexico

Tel. 01(921)1634-977

info@siicomsa.com