



Your Enclosure Source®



®
Your Enclosure Source

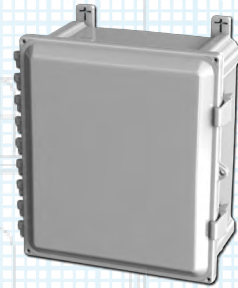


14TH
EDITION

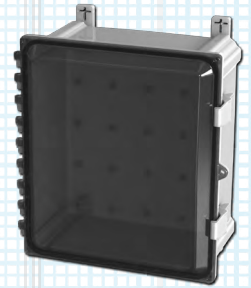


Non-Metallic Enclosures

Polycarbonate Enclosures 302 – 303



Polycarbonate Enclosures with Window 304 – 305



Pushbutton Enclosures (Fiberglass) 306 – 307



Screw Cover Junction Enclosures (Fiberglass) 308 – 309



Phone (989) 799-6871
Fax (989) 799-4524



1 Operator System Enclosures
2 Wall-Mount Enclosures
3 Free-Standing & Floor-Mounted Enclosures
4 Modular Enclosures
5 Operator System Enclosures (Stainless Steel)
6 Wall-Mount Enclosures (Stainless Steel)
7 Free-Standing & Floor-Mounted Enclosures (Stainless Steel)
8 Non-Metallic Enclosures
9 Accessories
10 Technical Information
11 Index

Non-Metallic Enclosures

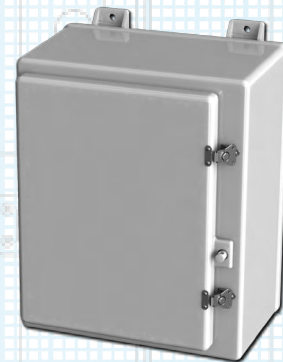
Quick Release Junction Enclosures (Fiberglass) 310 – 311



Quick Release Junction Enclosures with Window (Fiberglass) 312 – 313



Clamp Cover Enclosures (Fiberglass) 314 – 315



Phone (989) 799-6871
Fax (989) 799-4524



- 1 Operator System Enclosures
- 2 Wall-Mount Enclosures
- 3 Free-Standing & Floor-Mounted Enclosures
- 4 Modular Enclosures
- 5 Operator System Enclosures (Stainless Steel)
- 6 Wall-Mount Enclosures (Stainless Steel)
- 7 Free-Standing & Floor-Mounted Enclosures (Stainless Steel)
- 8 Non-Metallic Enclosures
- 9 Accessories
- 10 Technical Information
- 11 Index

Polycarbonate Enclosures

Application -

Designed for indoor or outdoor use to house electrical and electronic controls, instruments and components in areas that may be regularly hosed down or are in very wet conditions. Non-corrosive, UV resistant polycarbonate enclosure with opaque covers. Provides protection from dust, dirt, oil and water. For installation information, consult our Installation Manual at www.saginawcontrol.com.

Construction -

- Impact Resistant Polycarbonate.
- Opaque cover.
- Brass inserts for securing mounting feet.
- Polycarbonate external mounting feet included.
- Oil-resistant door gasket.
- Polycarbonate quick release latches.
- Polycarbonate hinges.
- Polycarbonate hasp and staple for padlocking.
- 10-32 standoffs provided for mounting optional panels.
- Multiple bosses for easy installation of devices and DIN rails.

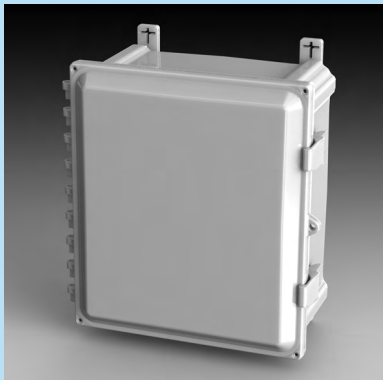
Finish -

RAL 7035 Light Gray Polycarbonate

IS6 - Industry Standards -

NEMA Type 3R, 4, 4X, 12 & Type 13
UL Listed Type 3R, 4, 4X & 12
CSA Type 3R, 4, 4X & 12
IEC 60529 IP66

***Special Instructions apply for IS3, IS4 and IS6 to maintain the environmental rating of Type 3R for these parts. See the Special Instructions on the Industry Standards page in the Technical Information Section.



POLYCARBONATE ENCLOSURES

ENCLOSURE PRODUCT CODE F1

Catalog No.	Height (A)	Width (B)	Depth (C)	Industry Standard	List Price
SCE-606PC	7.41	8.68	5.84	IS6	109.26
SCE-806PC	9.47	8.68	5.86	IS6	115.95
SCE-1008PC	11.41	10.68	6.36	IS6	126.06
SCE-1210PC	13.40	12.68	7.86	IS6	144.06
SCE-1412PC	15.40	14.68	7.89	IS6	182.22
SCE-1614PC	17.65	16.68	9.98	IS6	197.91
SCE-1816PC	19.41	18.68	11.90	IS6	254.82
SCE-2424PC	25.40	26.68	11.41	IS6	724.65

SUB-PANELS (F2)

Catalog No.	Panel Height (D)	Panel Width (E)	List Price
SCE-6P6	5.00	5.00	3.61
SCE-6P6AL	5.00	5.00	15.58
SCE-8P6	7.00	5.00	4.17
SCE-8P6AL	7.00	5.00	18.82
SCE-10P8	9.00	7.00	5.70
SCE-10P8AL	9.00	7.00	25.38
SCE-12P10	11.00	9.00	7.72
SCE-12P10AL	11.00	9.00	25.99
SCE-14P12	13.00	11.00	10.13
SCE-14P12AL	13.00	11.00	36.87
SCE-16P14	15.00	13.00	19.95
SCE-16P14AL	15.00	13.00	46.72
SCE-18P16PC	16.88	14.88	26.84
SCE-18P16AL	16.88	14.88	55.53
SCE-24P24PC	22.75	22.75	39.97
SCE-24P24PCAL	22.75	22.75	104.98

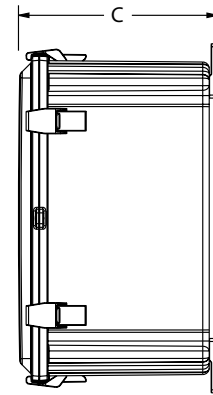
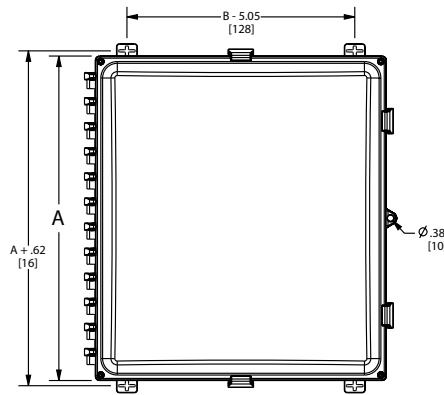
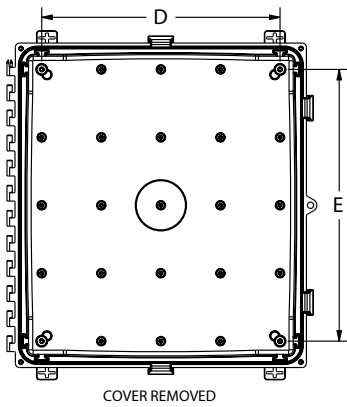
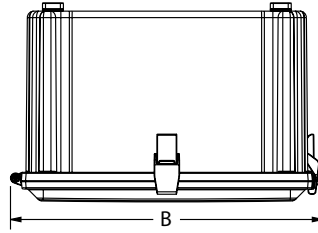
Phone (989) 799-6871
Fax (989) 799-4524



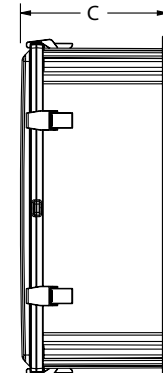
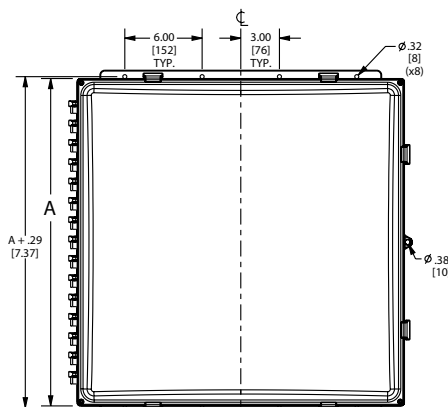
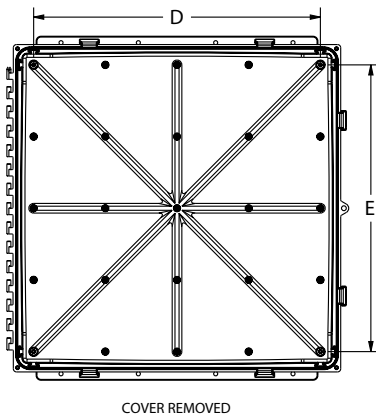
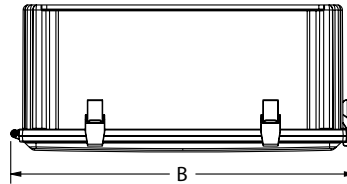
POLYCARBONATE ENCLOSURES TECHNICAL DATA

LATCHING NOTES:
ENCLOSURES < 10.00 [254] IN HEIGHT REQUIRE
ONE LATCH CENTERED IN THE DOOR VERTICALLY.

OMIT CENTER LATCH TOP AND BOTTOM OF DOOR
WHEN WIDTH < 16.00 [406].



SCE-2424PC



Polycarbonate Enclosures with Window

Application -

Designed for indoor or outdoor use to house electrical and electronic controls, instruments and components in areas that may be regularly hosed down or are in very wet conditions. Non-corrosive, UV resistant polycarbonate enclosure with clear covers. Provides protection from dust, dirt, oil and water. For installation information, consult our Installation Manual at www.saginawcontrol.com.

Construction -

- Impact Resistant Polycarbonate.
- Clear cover.
- Brass inserts for securing mounting feet.
- Polycarbonate external mounting feet included.
- Oil-resistant door gasket.
- Polycarbonate quick release latches.
- Polycarbonate hinges.
- Polycarbonate hasp and staple for padlocking.
- 10-32 standoffs provided for mounting optional panels.
- Multiple bosses for easy installation of devices and DIN rails.

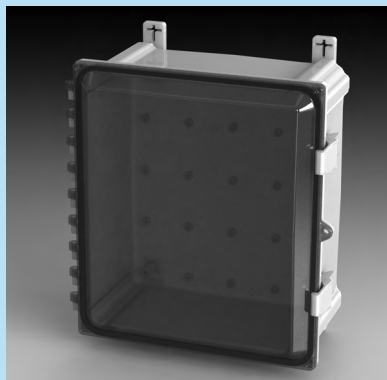
Finish -

RAL 7035 Light Gray Polycarbonate with clear cover

IS6 - Industry Standards -

NEMA Type 3R, 4, 4X, 12 & Type 13
UL Listed Type 3R, 4, 4X & 12
CSA Type 3R, 4, 4X & 12
IEC 60529 IP66

***Special Instructions apply for IS3, IS4 and IS6 to maintain the environmental rating of Type 3R for these parts. See the Special Instructions on the Industry Standards page in the Technical Information Section.



POLYCARBONATE ENCLOSURES WITH WINDOW

ENCLOSURE PRODUCT CODE F1

Catalog No.	Height (A)	Width (B)	Depth (C)	Industry Standard	List Price
SCE-606PCW	7.41	8.68	5.84	IS6	139.38
SCE-806PCW	9.41	8.68	5.86	IS6	144.63
SCE-1008PCW	11.41	10.68	6.36	IS6	176.19
SCE-1210PCW	13.40	12.68	7.86	IS6	194.64
SCE-1412PCW	15.40	14.68	7.86	IS6	268.28
SCE-1614PCW	17.65	16.68	9.98	IS6	326.73
SCE-1816PCW	19.41	18.68	11.90	IS6	407.00
SCE-2424PCW	25.40	26.68	11.41	IS6	1159.44

SUB-PANELS (F2)

Catalog No.	Panel Height (D)	Panel Width (E)	List Price
SCE-6P6	5.00	5.00	3.61
SCE-6P6AL	5.00	5.00	15.58
SCE-8P6	7.00	5.00	4.17
SCE-8P6AL	7.00	5.00	18.82
SCE-10P8	9.00	7.00	5.70
SCE-10P8AL	9.00	7.00	25.38
SCE-12P10	11.00	9.00	7.72
SCE-12P10AL	11.00	9.00	25.99
SCE-14P12	13.00	11.00	10.13
SCE-14P12AL	13.00	11.00	36.87
SCE-16P14	15.00	13.00	19.95
SCE-16P14AL	15.00	13.00	46.72
SCE-18P16PC	16.88	14.88	26.84
SCE-18P16AL	16.88	14.88	55.53
SCE-24P24PC	22.75	22.75	39.97
SCE-24P24PCAL	22.75	22.75	104.98

Phone (989) 799-6871
Fax (989) 799-4524

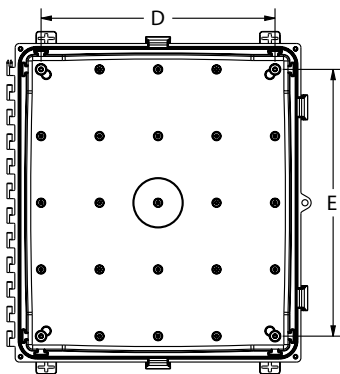
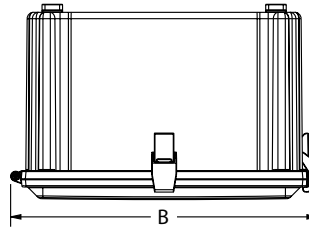


POLYCARBONATE ENCLOSURES WITH WINDOW

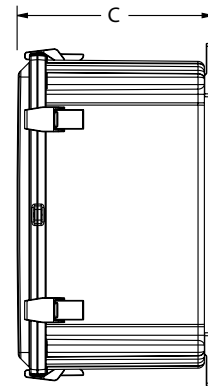
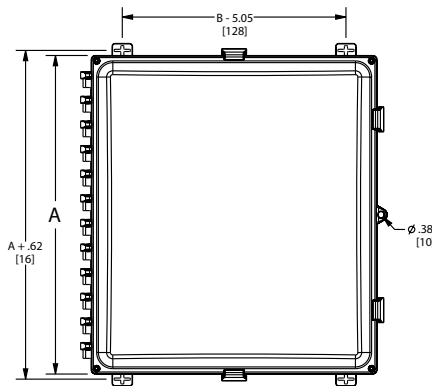
TECHNICAL DATA

LATCHING NOTES:
ENCLOSURES < 10.00 [254] IN HEIGHT REQUIRE ONE LATCH CENTERED IN THE DOOR VERTICALLY.

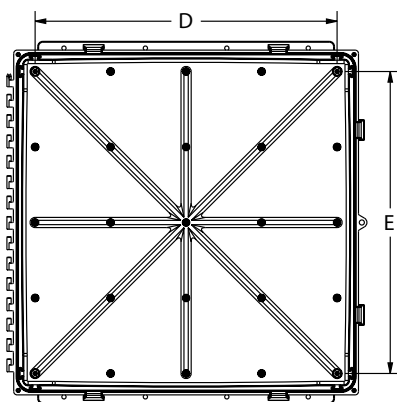
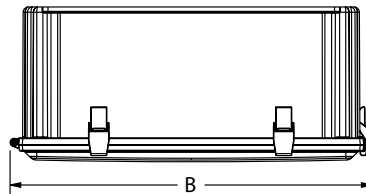
OMIT CENTER LATCH TOP AND BOTTOM OF DOOR WHEN WIDTH < 16.00 [406].



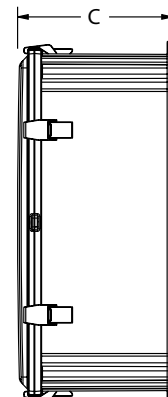
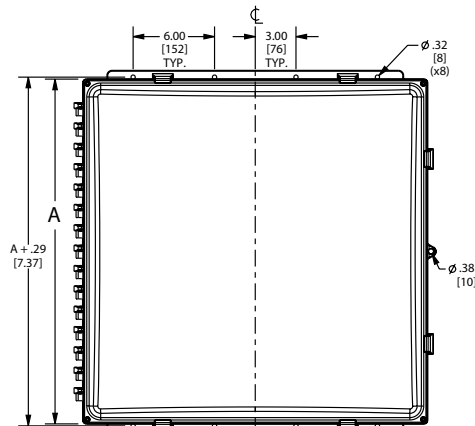
COVER REMOVED



SCE-2424PCW



COVER REMOVED



Fiberglass Pushbutton Enclosures

Application -

Designed for indoor or outdoor use to house pushbuttons, switches, and pilot lights in areas that may be regularly hosed down, are in very wet conditions, or are exposed to corrosive agents. Provides protection from dust, dirt, oil and water.

Construction -

- Fiberglass reinforced compression molded polyester.
- Continuous memory retaining gasket.
- Hole diameter is 1.20" (30.5 mm).

Finish -

Light gray fiberglass.

IS5 - Industry Standards -

NEMA Type 4, 4X, 12 & Type 13
 UL Listed Type 4, 4X & 12
 CSA Type 4, 4X & 12
 IEC 60529 IP66



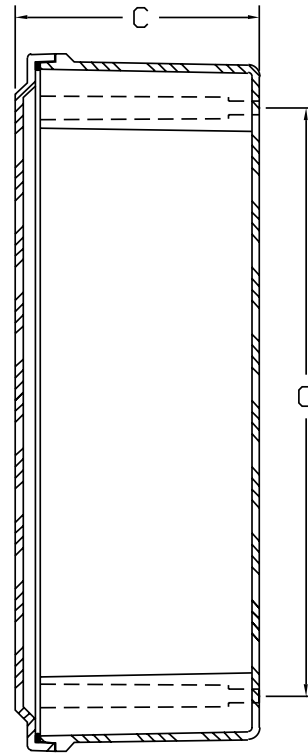
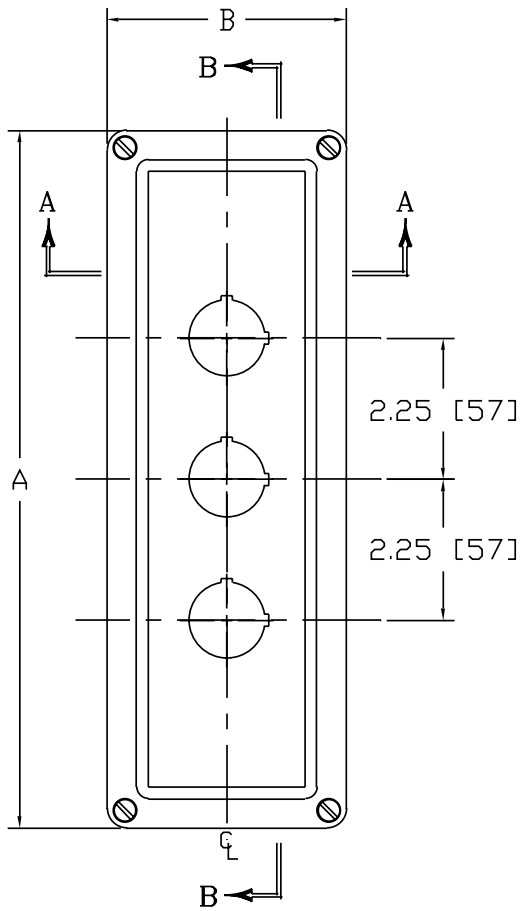
FIBERGLASS PUSHBUTTON ENCLOSURES

ENCLOSURE PRODUCT CODE F1							
Catalog No.	Height (A)	Width (B)	Depth (C)	Mounting (G)	Mounting (H)	Industry Standard	List Price
SCE-1PBFG	6.63	3.81	3.88	4.88	2.94	IS5	78.24
SCE-2PBFG	6.63	3.81	3.88	4.88	2.94	IS5	80.28
SCE-3PBFG	8.88	3.81	3.88	7.13	2.94	IS5	88.61

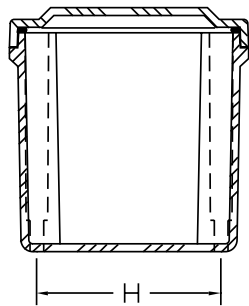
Phone (989) 799-6871
 Fax (989) 799-4524



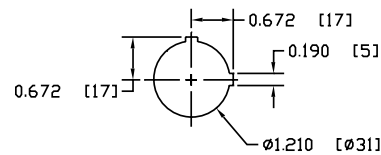
FIBERGLASS PUSHBUTTON ENCLOSURES TECHNICAL DATA



SECTION B-B



SECTION A-A



DETAIL A



Phone (989) 799-6871
Fax (989) 799-4524

- 1 Operator System Enclosures
- 2 Wall-Mount Enclosures
- 3 Free-Standing & Floor-Mounted Enclosures
- 4 Modular Enclosures
- 5 Operator System Enclosures (Stainless Steel)
- 6 Wall-Mount Enclosures (Stainless Steel)
- 7 Free-Standing & Floor-Mounted Enclosures (Stainless Steel)
- 8 Non-Metallic Enclosures
- 9 Accessories
- 10 Technical Information
- 11 Index

Fiberglass Screw Cover Junction Enclosures

Application -

Designed for indoor or outdoor use to house electronic controls, instruments and components in areas that may be regularly hosed down, are in very wet conditions, or are exposed to corrosive agents. Provides protection from dust, dirt, oil and water.

Construction -

- Fiberglass reinforced compression molded polyester.
- Continuous memory retaining gasket.
- Mounting strips molded in.
- Captive screw fasteners.
- Integral panel mounting inserts.
- Stainless steel continuous hinge.

Finish -

Light gray fiberglass. Optional sub-panels are marine grade aluminum.

IS5 - Industry Standards -

NEMA Type 4, 4X, 12 & Type 13
 UL Listed Type 4, 4X & 12
 CSA Type 4, 4X & 12
 IEC 60529 IP66



FIBERGLASS SCREW COVER JUNCTION ENCLOSURES

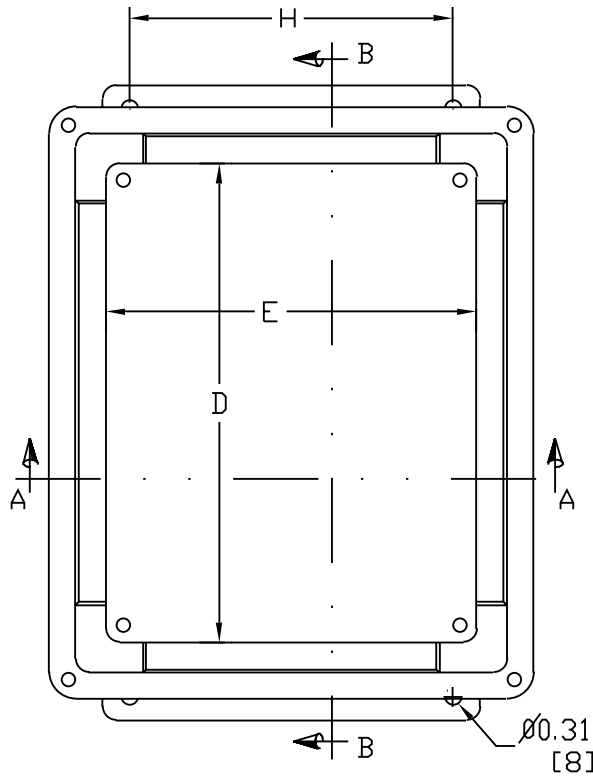
ENCLOSURE PRODUCT CODE F1										
Catalog No.	Height (A)	Width (B)	Depth (C)	Mounting (G)	Mounting (H)	Interior (J)	Interior (K)	Interior (L)	Industry Standard	List Price
SCE-604FG	7.39	5.45	4.75	6.75	2.00	5.84	3.85	4.00	IS5	114.93
SCE-606FG	7.53	7.53	4.75	6.75	4.00	5.72	5.72	4.00	IS5	131.74
SCE-806FG	9.56	7.52	4.75	8.88	4.00	7.73	5.74	4.00	IS5	136.10
SCE-808FG	9.38	9.38	4.88	8.75	6.00	7.73	7.73	4.06	IS5	149.83
SCE-1008FG	11.35	9.41	4.25	10.75	6.00	9.73	7.73	3.50	IS5	154.47
SCE-10086FG	11.38	9.38	5.08	10.75	6.00	9.73	7.73	4.37	IS5	159.75
SCE-1210FG	13.41	11.43	5.21	12.75	8.00	11.79	9.80	4.50	IS5	164.72
SCE-1212FG	13.38	13.38	6.35	12.75	10.00	11.70	11.70	5.53	IS5	197.63
SCE-1407FG	15.75	8.75	6.81	15.00	5.00	14.00	7.00	6.12	IS5	212.88
SCE-1412FG	15.48	13.48	6.21	14.62	10.00	13.53	11.55	5.37	IS5	209.77
SCE-1614FG	17.47	15.46	6.23	16.75	12.00	15.63	13.60	5.36	IS5	241.00
SCE-1816FG	19.61	17.61	8.82	18.88	12.00	17.69	15.69	7.99	IS5	319.30
SCE-2016FG	21.68	17.69	8.84	21.25	10.00	19.72	15.72	8.00	IS5	551.00

SUB-PANELS (F2)			
Catalog No.	Panel Height (D)	Panel Width (E)	List Price
SCE-6P4AL	5.00	3.00	15.35
SCE-6P6AL	5.00	5.00	15.58
SCE-8P6AL	7.00	5.00	18.82
SCE-8P8AL	7.00	7.00	23.62
SCE-10P8AL	9.00	7.00	25.38
SCE-12P10AL	11.00	9.00	25.99
SCE-12P12AL	11.00	11.00	27.68
SCE-14P8AL	13.00	7.00	28.39
SCE-14P12AL	13.00	11.00	36.87
SCE-16P14AL	15.00	13.00	46.72
SCE-18P16AL	16.88	14.88	55.53
SCE-20PJ16AL	18.88	14.88	65.28

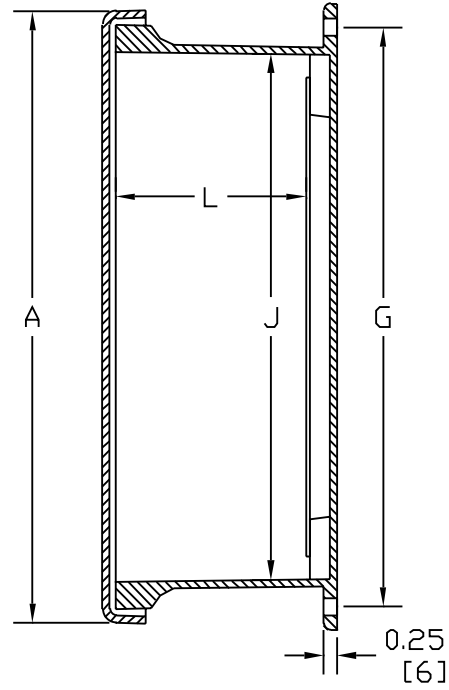
Phone (989) 799-6871
 Fax (989) 799-4524



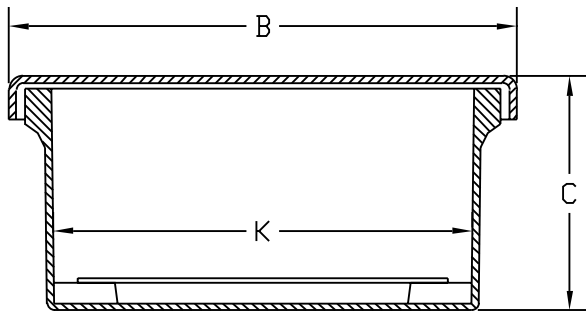
FIBERGLASS SCREW COVER JUNCTION ENCLOSURES TECHNICAL DATA



FRONT VIEW WITH COVER REMOVED



SECTION B-B



SECTION A-A



Phone (989) 799-6871
Fax (989) 799-4524

- 1 Operator System Enclosures
- 2 Wall-Mount Enclosures
- 3 Free-Standing & Floor-Mounted Enclosures
- 4 Modular Enclosures
- 5 Operator System Enclosures (Stainless Steel)
- 6 Wall-Mount Enclosures (Stainless Steel)
- 7 Free-Standing & Floor-Mounted Enclosures (Stainless Steel)
- 8 Non-Metallic Enclosures
- 9 Accessories
- 10 Technical Information
- 11 Index

Fiberglass Junction Enclosures

Application -

Designed for indoor or outdoor use to house electrical and electronic controls, instruments and components in areas that may be regularly hosed down, are in very wet conditions, or are exposed to corrosive agents. Provides protection from dust, dirt, oil and water. Provides protection from occasional temporary or prolonged submersion.

Construction -

- Fiberglass reinforced compression molded polyester.
- Oil-resistant door gasket.
- Mounting strip molded in.
- Quick release padlock latch.
- Integral panel mounting inserts.
- Stainless steel continuous hinge.

Finish -

Light gray fiberglass. Optional sub-panels are marine grade aluminum.

IS5 - Industry Standards -

NEMA Type 4, 4X, 12 & Type 13
 UL Listed Type 4, 4X & 12
 CSA Type 4, 4X & 12
 IEC 60529 IP66



FIBERGLASS JUNCTION ENCLOSURES

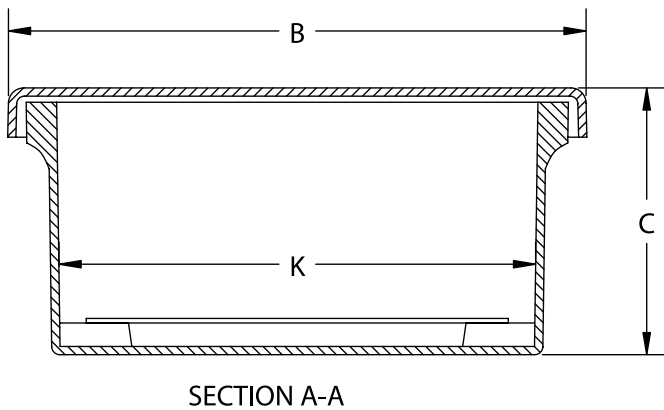
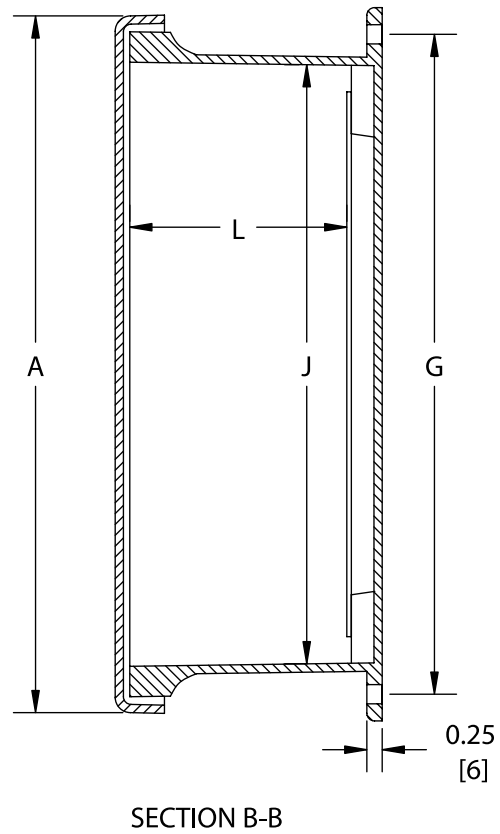
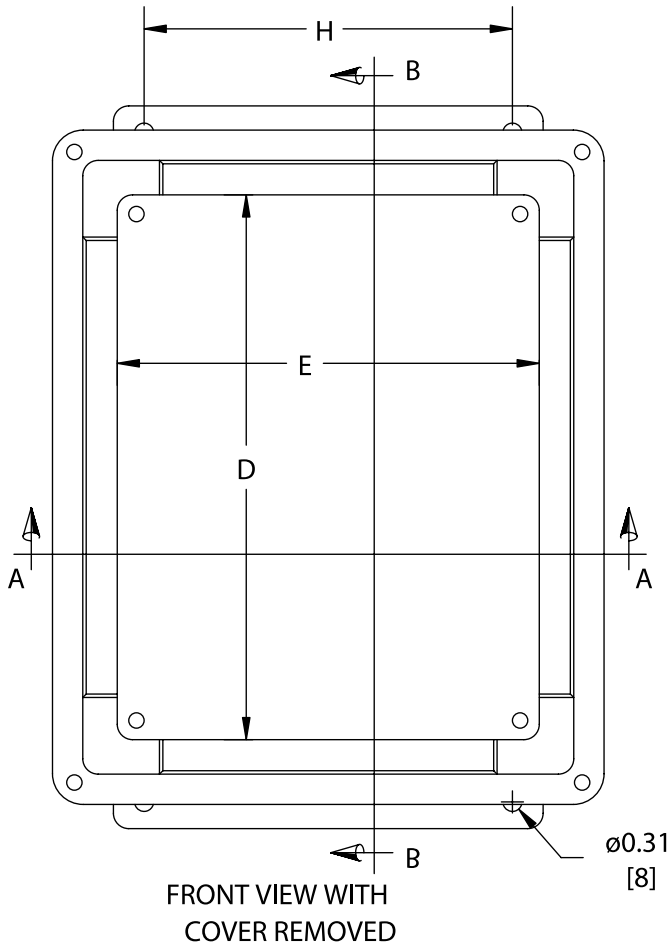
ENCLOSURE PRODUCT CODE F1										
Catalog No.	Height (A)	Width (B)	Depth (C)	Mounting (G)	Mounting (H)	Interior (J)	Interior (K)	Interior (L)	Industry Standard	List Price
SCE-6045CHQRFG	7.39	5.43	4.73	6.75	2.00	5.84	3.85	4.00	IS5	160.37
SCE-6065CHQRFG	7.53	7.53	4.72	6.75	4.00	5.72	5.72	4.00	IS5	166.42
SCE-8065CHQRFG	9.52	7.52	4.71	8.88	4.00	7.73	5.74	4.00	IS5	168.57
SCE-808CHQRFG	9.38	9.38	4.88	8.75	6.00	7.73	7.73	4.06	IS5	176.21
SCE-10085CHQRFG	11.35	9.41	4.25	10.75	6.00	9.73	7.73	3.50	IS5	183.26
SCE-12105CHQRFG	13.41	11.43	5.21	12.75	8.00	11.79	9.80	4.50	IS5	209.45
SCE-1212CHQRFG	13.38	13.38	6.34	12.75	10.00	11.70	11.70	5.53	IS5	242.97
SCE-14087CHQRFG	15.75	8.75	6.81	15.00	5.00	14.00	7.00	6.12	IS5	279.46
SCE-14127CHQRFG	15.48	13.48	6.21	14.62	10.00	13.53	11.55	5.37	IS5	264.92
SCE-16147CHQRFG	17.46	15.46	6.23	16.75	12.00	15.63	13.60	5.36	IS5	287.72
SCE-18169CHQRFG	19.61	17.61	8.82	18.88	12.00	17.69	15.69	7.99	IS5	373.97
SCE-2016CHQRFG	21.68	17.68	8.84	21.25	10.00	19.72	15.72	8.00	IS5	592.60

SUB-PANELS (F2)			
Catalog No.	Panel Height (D)	Panel Width (E)	List Price
SCE-6P4AL	5.00	3.00	15.35
SCE-6P6AL	5.00	5.00	15.58
SCE-8P6AL	7.00	5.00	18.82
SCE-8P8AL	7.00	7.00	23.62
SCE-10P8AL	9.00	7.00	25.38
SCE-12P10AL	11.00	9.00	25.99
SCE-12P12AL	11.00	11.00	27.68
SCE-14P8AL	13.00	7.00	28.39
SCE-14P12AL	13.00	11.00	36.87
SCE-16P14AL	15.00	13.00	46.72
SCE-18P16AL	16.88	14.88	55.53
SCE-20P16AL	18.88	14.88	65.28

Phone (989) 799-6871
 Fax (989) 799-4524



FIBERGLASS JUNCTION ENCLOSURES TECHNICAL DATA



Phone (989) 799-6871
Fax (989) 799-4524

- 1 Operator System Enclosures
- 2 Wall-Mount Enclosures
- 3 Free-Standing & Floor-Mounted Enclosures
- 4 Modular Enclosures
- 5 Operator System Enclosures (Stainless Steel)
- 6 Wall-Mount Enclosures (Stainless Steel)
- 7 Free-Standing & Floor-Mounted Enclosures (Stainless Steel)
- 8 Non-Metallic Enclosures
- 9 Accessories
- 10 Technical Information
- 11 Index

Fiberglass Junction Enclosures With Window

Application -

Designed for indoor or outdoor use to house electronic controls, instruments and components in areas that may be regularly hosed down, are in very wet conditions, or are exposed to corrosive agents and require unrestricted viewing of gauges or controls. Provides protection from dust, dirt, oil and water.

Construction -

- Fiberglass reinforced compression molded polyester.
- Continuous memory retaining gasket.
- Mounting strips molded in.
- Quick release padlock latch.
- Integral panel mounting inserts.
- Stainless steel continuous hinge.
- UVA acrylic bonded polycarbonate window.

Finish -

Light gray fiberglass. Optional sub-panels are marine grade aluminum.

IS5 - Industry Standards -

NEMA Type 4, 4X, 12 & Type 31
 UL Listed Type 4, 4X & 12
 CSA Type 4, 4X & 12
 IEC 60529 IP66



FIBERGLASS JUNCTION ENCLOSURES WITH WINDOW

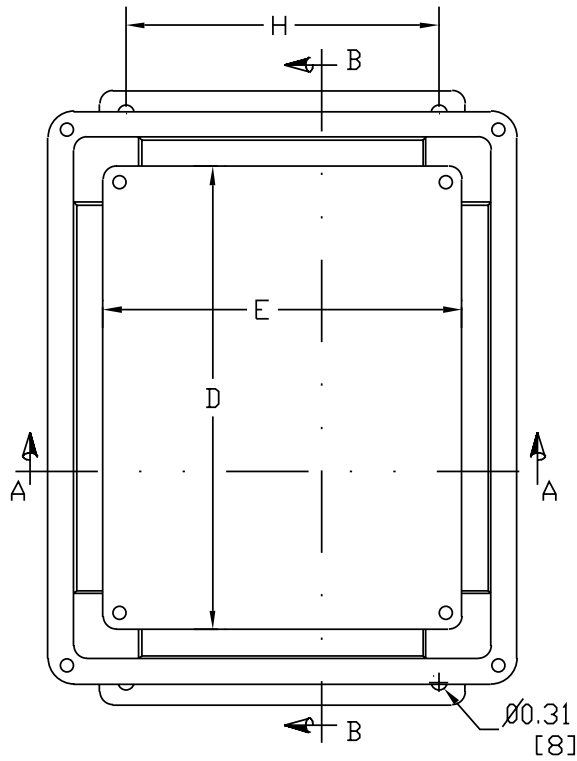
ENCLOSURE PRODUCT CODE F1										
Catalog No.	Height (A)	Width (B)	Depth (C)	Mounting (G)	Mounting (H)	Interior (J)	Interior (K)	Interior (L)	Industry Standard	List Price
SCE-604FW	7.39	5.45	4.73	6.75	2.00	5.84	3.85	4.00	IS5	219.77
SCE-606FW	7.53	7.53	4.72	6.75	4.00	5.72	5.72	4.00	IS5	232.73
SCE-806FW	9.52	7.52	4.71	8.88	4.00	7.73	5.74	4.00	IS5	241.49
SCE-808FW	9.38	9.38	4.88	8.75	6.00	7.73	7.73	4.06	IS5	252.62
SCE-1008FW	11.35	9.41	4.25	10.75	6.00	9.73	7.73	3.50	IS5	276.21
SCE-10086FW	11.38	9.37	5.08	10.75	6.00	9.73	7.73	4.37	IS5	289.96
SCE-1210FW	13.41	11.43	5.21	12.75	8.00	11.79	9.80	4.50	IS5	320.36
SCE-1212FW	13.38	13.38	6.34	12.75	10.00	11.70	11.70	5.53	IS5	307.76
SCE-1407FW	15.75	8.75	6.81	15.00	5.00	14.00	7.00	6.12	IS5	448.59
SCE-1412FW	15.48	13.48	6.21	14.62	10.00	13.53	11.55	5.37	IS5	441.58
SCE-1614FW	17.47	15.46	6.23	16.75	12.00	15.63	13.60	5.36	IS5	505.54
SCE-1816FW	19.61	17.61	8.82	18.88	12.00	17.69	15.69	7.99	IS5	620.64
SCE-2016FW	21.68	17.68	8.81	21.25	10.00	19.72	15.72	8.00	IS5	1002.57

SUB-PANELS (F2)			
Catalog No.	Panel Height (D)	Panel Width (E)	List Price
SCE-6P4AL	5.00	3.00	15.35
SCE-6P6AL	5.00	5.00	15.58
SCE-8P6AL	7.00	5.00	18.82
SCE-8P8AL	7.00	7.00	23.62
SCE-10P8AL	9.00	7.00	25.38
SCE-12P10AL	11.00	9.00	25.99
SCE-12P12AL	11.00	11.00	27.68
SCE-14P8AL	13.00	7.00	28.39
SCE-14P12AL	13.00	11.00	36.87
SCE-16P14AL	15.00	13.00	46.72
SCE-18P16AL	16.88	14.88	55.53
SCE-20P16AL	18.88	14.88	65.28

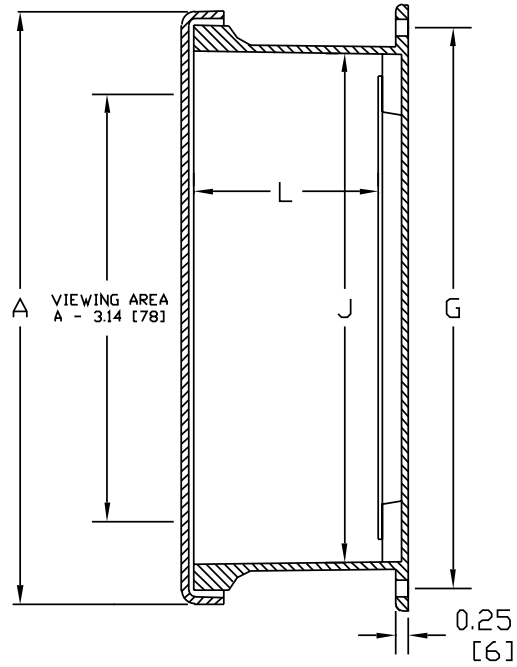
Phone (989) 799-6871
 Fax (989) 799-4524



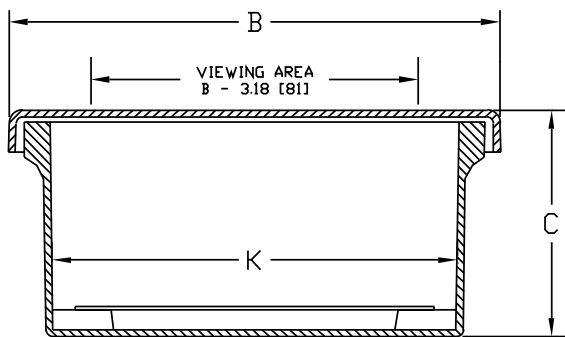
FIBERGLASS JUNCTION ENCLOSURES WITH WINDOW TECHNICAL DATA



FRONT VIEW WITH COVER REMOVED



SECTION B-B



SECTION A-A



Phone (989) 799-6871
Fax (989) 799-4524

- 1 Operator System Enclosures
- 2 Wall-Mount Enclosures
- 3 Free-Standing & Floor-Mounted Enclosures
- 4 Modular Enclosures
- 5 Operator System Enclosures (Stainless Steel)
- 6 Wall-Mount Enclosures (Stainless Steel)
- 7 Free-Standing & Floor-Mounted Enclosures (Stainless Steel)
- 8 Non-Metallic Enclosures
- 9 Accessories
- 10 Technical Information
- 11 Index

Fiberglass Wall-Mount Enclosures

Application -

Designed for indoor or outdoor use to house electrical and electronic controls, instruments and components in areas that may be regularly hosed down, are in very wet conditions, or are exposed to corrosive agents. Provides protection from dust, dirt, oil and water.

Construction -

- Fiberglass reinforced compression molded polyester.
- Oil-resistant door gasket.
- Mounting feet molded in.
- Quick release latches.
- Padlock hasp and staple.
- Integral panel mounting inserts.
- Stainless steel continuous hinge.

Finish -

Light gray fiberglass. Optional sub-panels are marine grade aluminum.

IS5 - Industry Standards -

- NEMA Type 4, 4X, 12 & Type 13
- UL Listed Type 4, 4X & 12
- CSA Type 4, 4X & 12
- IEC 60529 IP66



FIBERGLASS WALL-MOUNT ENCLOSURES

ENCLOSURE PRODUCT CODE F1										
Catalog No.	Height (A)	Width (B)	Depth (C)	Mounting (G)	Mounting (H)	Interior (J)	Interior (K)	Interior (L)	Industry Standard	List Price
SCE-16H1009QFGLP	18.75	10.96	9.03	17.50	7.00	15.92	10.27	7.80	IS5	878.30
SCE-20H1608QFGLP	22.75	16.87	7.77	21.50	10.12	19.70	16.04	6.26	IS5	776.59
SCE-20H1610QFGLP	22.75	16.87	9.77	21.50	10.12	19.70	16.04	8.26	IS5	878.30
SCE-20H1612QFGLP	22.75	16.87	11.77	21.50	10.12	19.70	16.04	10.26	IS5	972.59
SCE-24H2010QFGLP	27.00	21.24	9.90	25.75	14.00	24.05	20.39	8.25	IS5	1313.22
SCE-30H2010QFGLP	32.84	21.00	9.88	31.75	14.25	29.90	20.14	8.23	IS5	1401.46
SCE-30H2409QFGLP	33.41	26.00	8.81	32.25	18.50	30.46	25.47	7.12	IS5	1571.62
SCE-30H2412QFGLP	33.41	26.32	11.95	32.25	18.50	30.46	25.47	10.27	IS5	1591.02
SCE-30H2414QFGLP	33.41	26.28	13.79	32.25	18.50	30.46	25.47	12.10	IS5	1673.51
SCE-36H3010QFGLP	39.31	32.50	10.02	38.13	23.88	36.31	31.69	8.36	IS5	2038.48
SCE-36H3012QFGLP	39.31	32.50	12.05	38.13	23.88	36.31	31.69	10.36	IS5	2059.81
SCE-36H3014QFGLP	39.31	32.50	14.06	38.13	23.88	36.31	31.69	12.36	IS5	2208.61

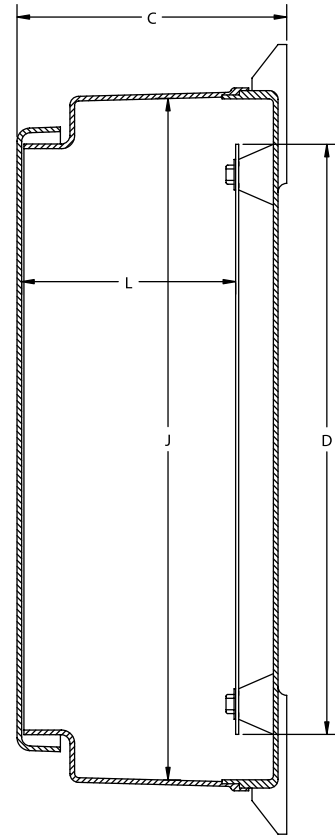
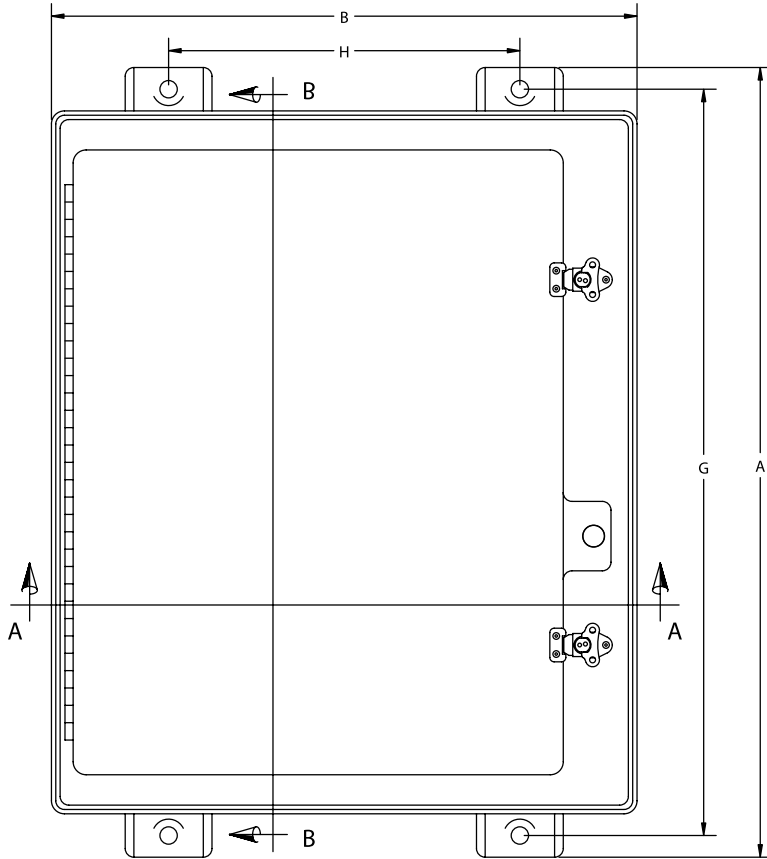
SUB-PANELS (F2)			
Catalog No.	Panel Height (D)	Panel Width (E)	List Price
SCE-16P10AL	13.00	8.50	41.63
SCE-20P16AL	17.00	13.00	76.68
SCE-24P20AL	21.00	17.00	106.15
SCE-30P20AL	27.00	17.00	130.68
SCE-30P24AL	27.00	21.00	174.35
SCE-36P30AL	33.00	27.00	252.39

Phone (989) 799-6871
Fax (989) 799-4524

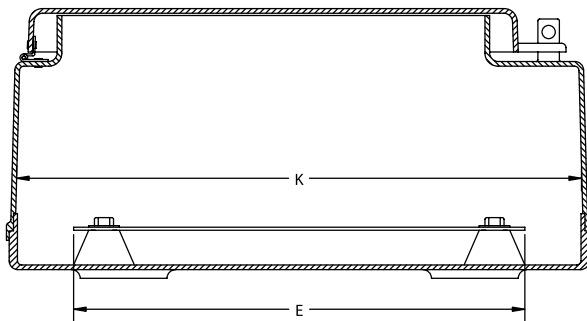


1 Operator System Enclosures
2 Wall-Mount Enclosures
3 Free-Standing & Floor-Mounted Enclosures
4 Modular Enclosures (Stainless Steel)
5 Operator System Enclosures (Stainless Steel)
6 Wall-Mount Enclosures (Stainless Steel)
7 Free-Standing & Floor-Mounted Enclosures (Stainless Steel)
8 Non-Metallic Enclosures
9 Accessories
10 Technical Information
11 Index

FIBERGLASS WALL-MOUNT ENCLOSURES TECHNICAL DATA



SECTION B-B



SECTION A-A

Note: SCE-16H1009QFGLP has no padlock feature.



Phone (989) 799-6871
Fax (989) 799-4524

NOTES

- 1 Operator System Enclosures
- 2 Wall-Mount Enclosures
- 3 Free-Standing & Floor-Mounted Enclosures
- 4 Modular Enclosures
- 5 Operator System Enclosures (Stainless Steel)
- 6 Wall-Mount Enclosures (Stainless Steel)
- 7 Free-Standing & Floor-Mounted Enclosures (Stainless Steel)
- 8 Non-Metallic Enclosures
- 9 Accessories
- 10 Technical Information
- 11 Index

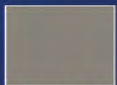
Phone (989) 799-6871
 Fax (989) 799-4524



Waste Water Treatment



Municipality



SCE-09 GRAY
Semi-Gloss



SCE-05 WHITE
Full Gloss



RAL 1015
Beige
Full Gloss



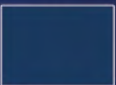
RAL 1018
Yellow
Full Gloss



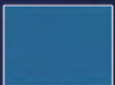
RAL 2004
Orange
Full Gloss



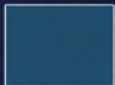
RAL 3000
Red
Full Gloss



RAL 5010
Blue
Full Gloss



RAL 5015
Blue
Full Gloss



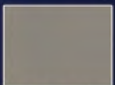
RAL 5019
Blue
Full Gloss



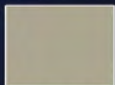
RAL 5024
Blue
Full Gloss



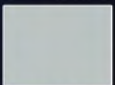
RAL 8023
Orange
Full Gloss



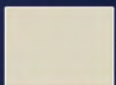
RAL 7030
Gray
Full Gloss



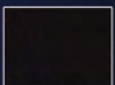
RAL 7032
Gray
Full Gloss



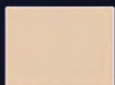
RAL 7035
Gray
Full Gloss



RAL 9002
Gray
Full Gloss



RAL 9011
Black
Sand Texture



RAL 9010
White
Full Gloss

Note: Colors are close representations with standard monitor settings and are not intended for match. Color charts may also vary by manufacturer.

Semi-Gloss = 60 to 70 Gloss Level acc. to ASTM 523 / 60° angle
Full Gloss = 80 to 90 Gloss Level acc. to ASTM 523 / 60° angle

Distribuidor Autorizado - Mexico

Tel. 01(921)1634-977

info@siicomsa.com