



*Your Enclosure Source*®



®  
**Your Enclosure Source**



**14<sup>TH</sup>**  
EDITION





# Wall-Mount Enclosures (Stainless Steel)

**Pushbutton Enclosures  
(304 & 316 Stainless Steel) ..... 228 – 235**



**Enviroline® Series Junction Enclosures  
(304 & 316 Stainless Steel) ..... 236 – 239**



**Enviroline® Series Trough Junction  
Enclosures (Stainless Steel) ..... 240 – 243**



**Continuous Hinge Junction Enclosures  
(304 & 316 Stainless Steel) ..... 244 – 245**



**Enviroline® Series Single-Door Enclosures  
with 3-Point Hardware  
(304 & 316 Stainless Steel) ..... 246 – 247**



**Enviroline® Series Single-Door Enclosures  
(304 Stainless Steel) ..... 248 – 249**



**Enviroline® Series Single-Door Enclosures  
(316 Stainless Steel) ..... 250 – 251**



**Enviroline® Series Sloping Top Single-Door  
Enclosures (Stainless Steel) ..... 252 – 253**



Phone (989) 799-6871  
Fax (989) 799-4524



1 Operator System Enclosures  
2 Wall-Mount Enclosures  
3 Free-Standing & Floor-Mounted Enclosures  
4 Modular Enclosures  
5 Operator System Enclosures (Stainless Steel)  
6 Wall-Mount Enclosures (Stainless Steel)  
7 Free-Standing & Floor-Mounted Enclosures (Stainless Steel)  
8 Non-Metallic Enclosures  
9 Accessories  
10 Technical Information  
11 Index

# Wall-Mount Enclosures (Stainless Steel)

**Clamp Fastened Single-Door Enclosures  
(304 Stainless Steel)..... 254 – 255**



**Clamp Fastened Single-Door Enclosures  
(316 Stainless Steel)..... 256 – 257**

**Enviroline® Series Two-Door Enclosures  
(Stainless Steel)..... 258 – 259**



**Enviroline® Series Single-Door Enclosures  
for Flange-Mounted Disconnects with SCE  
Door Hardware (304 Stainless Steel)..... 260 – 261**



**Enviroline® Series Single-Door Enclosures  
for Flange-Mounted Disconnects with SCE  
Door Hardware (316 Stainless Steel)..... 262 – 263**

**Enviroline® Series Sloping Top Single-Door  
Enclosures for Flange-Mounted  
Disconnects with SCE Door Hardware  
(Stainless Steel)..... 264 – 265**



**Clamp Fastened Single-Door Enclosures  
for Flange-Mounted Disconnects  
(304 & 316 Stainless Steel) ..... 266 – 267**



Phone (989) 799-6871  
Fax (989) 799-4524



- 1 Operator System Enclosures
- 2 Wall-Mount Enclosures
- 3 Free-Standing & Floor-Mounted Enclosures
- 4 Modular Enclosures
- 5 Operator System Enclosures (Stainless Steel)
- 6 Wall-Mount Enclosures (Stainless Steel)
- 7 Free-Standing & Floor-Mounted Enclosures (Stainless Steel)
- 8 Non-Metallic Enclosures
- 9 Accessories
- 10 Technical Information
- 11 Index



## Stainless Steel 30.5 mm Pushbutton Enclosures

### Application -

Designed to house standard pushbuttons, switches and pilot lights in wet and hosed down areas and in corrosive atmospheres. For installation information, consult our Installation Manual at [www.saginawcontrol.com](http://www.saginawcontrol.com).

### Construction -

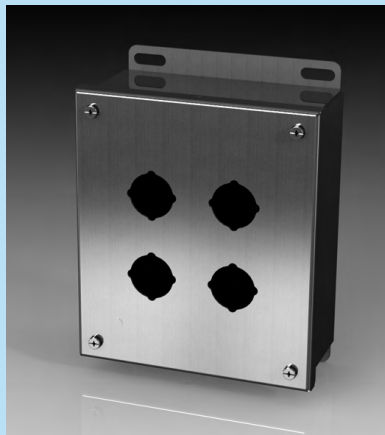
- 0.063" stainless steel Type 304 & 316/316L.
- Seams continuously welded and ground smooth.
- Captivated cover screws thread into sealed wells.
- 4-way pushbutton holes accept all brands of oil-tight pushbuttons, switches and pilot lights. Hole diameter 1.20" (30.5 mm).
- Immediate removal of cover is permitted.
- Oil-resistant door gasket.
- Welded mounting provision top and bottom of back.

### Finish -

#4 brushed finish on all exterior surfaces.

### IS5 - Industry Standards -

NEMA Type 4, 4X, 12 & Type 13  
 UL Listed Type 4, 4X & 12  
 CSA Type 4, 4X & 12  
 IEC 60529 IP66

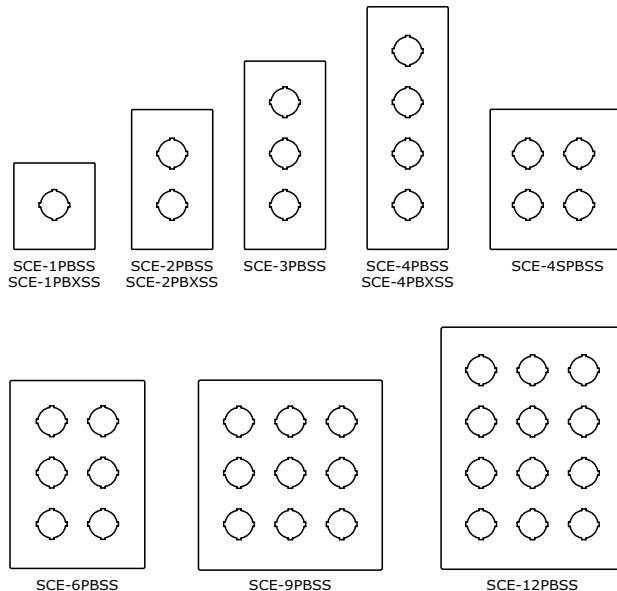


## 304 STAINLESS STEEL 30.5 mm PUSHBUTTON ENCLOSURES

ENCLOSURE PRODUCT CODE S1					
Catalog No.	Height (A)	Width (B)	Depth (C)	Industry Standard	List Price
SCE-1PBSS	3.50	3.25	2.75	IS5	134.38
SCE-1PBXSS	4.00	4.00	4.75	IS5	179.00
SCE-2PBSS	5.75	3.25	2.75	IS5	168.31
SCE-2PBXSS	6.00	4.00	4.75	IS5	224.05
SCE-3PBSS	8.00	3.25	2.75	IS5	183.25
SCE-3PBXSS	8.00	4.00	4.75	IS5	238.40
SCE-4PBSS	10.25	3.25	2.75	IS5	207.67
SCE-4PBXSS	10.00	4.00	4.75	IS5	247.05
SCE-4SPBSS	7.25	6.25	3.00	IS5	228.03
SCE-6PBSS	9.50	6.25	3.00	IS5	272.84
SCE-9PBSS	9.50	8.50	3.00	IS5	308.12
SCE-12PBSS	11.75	8.50	3.00	IS5	351.56

## 316 STAINLESS STEEL 30.5 mm PUSHBUTTON ENCLOSURES

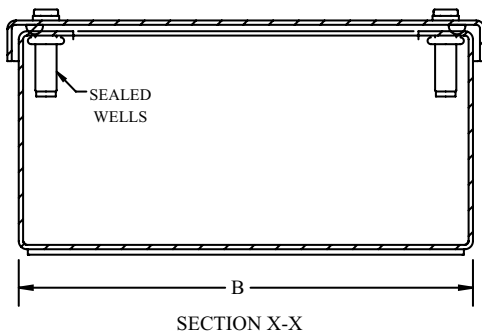
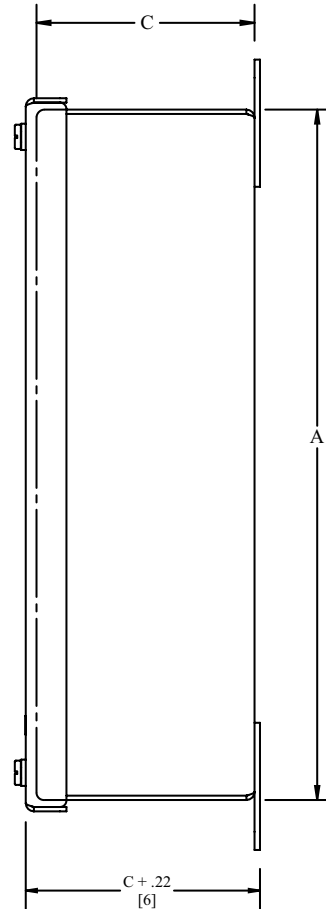
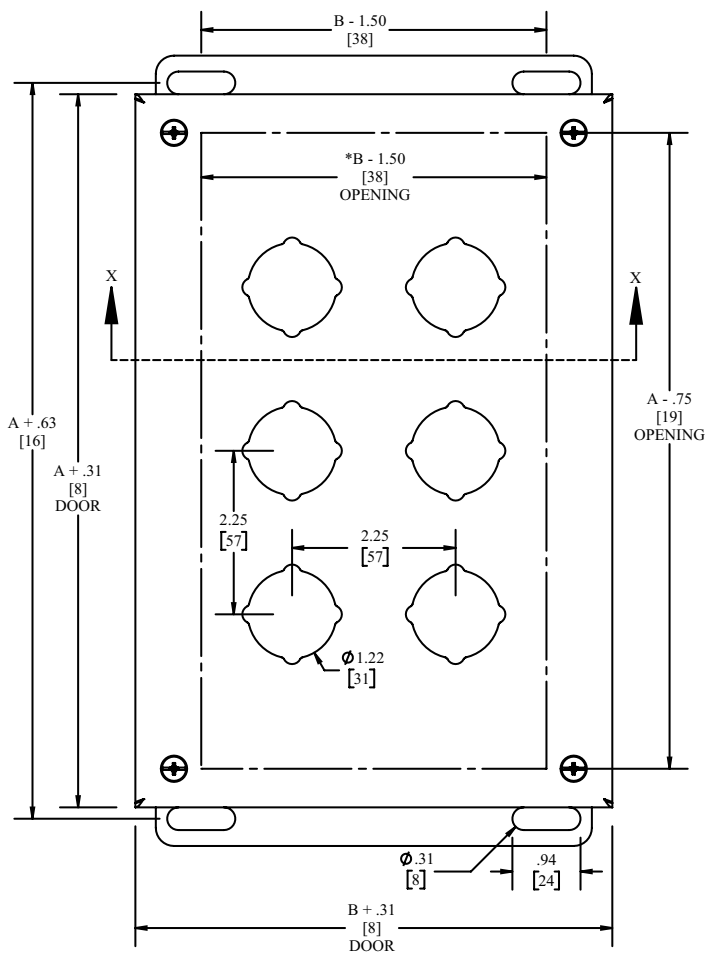
ENCLOSURE PRODUCT CODE S1					
Catalog No.	Height (A)	Width (B)	Depth (C)	Industry Standard	List Price
SCE-1PBSS6	3.50	3.25	2.75	IS5	161.26
SCE-1PBXSS6	4.00	4.00	4.75	IS5	214.80
SCE-2PBSS6	5.75	3.25	2.75	IS5	201.97
SCE-2PBXSS6	6.00	4.00	4.75	IS5	268.86
SCE-3PBSS6	8.00	3.25	2.75	IS5	219.90
SCE-4PBSS6	10.25	3.25	2.75	IS5	249.20
SCE-4PBXSS6	10.00	4.00	4.75	IS5	296.46
SCE-4SPBSS6	7.25	6.25	3.00	IS5	273.64
SCE-6PBSS6	9.50	6.25	3.00	IS5	327.41
SCE-9PBSS6	9.50	8.50	3.00	IS5	369.74
SCE-12PBSS6	11.75	8.50	3.00	IS5	421.87





# STAINLESS STEEL 30.5 mm PUSHBUTTON ENCLOSURES

## TECHNICAL DATA



NOTE:  
\*B - .50 [13] WHEN ONE COLUMN OF PUSHBUTTONS



Phone (989) 799-6871  
Fax (989) 799-4524

- 1 Operator System Enclosures
- 2 Wall-Mount Enclosures
- 3 Free-Standing & Floor-Mounted Enclosures
- 4 Modular Enclosures
- 5 Operator System Enclosures (Stainless Steel)
- 6 Wall-Mount Enclosures (Stainless Steel)
- 7 Free-Standing & Floor-Mounted Enclosures (Stainless Steel)
- 8 Non-Metallic Enclosures
- 9 Accessories
- 10 Technical Information
- 11 Index

## Stainless Steel 22.5 mm Pushbutton Enclosures

### Application -

Designed to house standard pushbuttons, switches and pilot lights in wet and hosed down areas and in corrosive atmospheres. For installation information, consult our Installation Manual at [www.saginawcontrol.com](http://www.saginawcontrol.com).

### Construction -

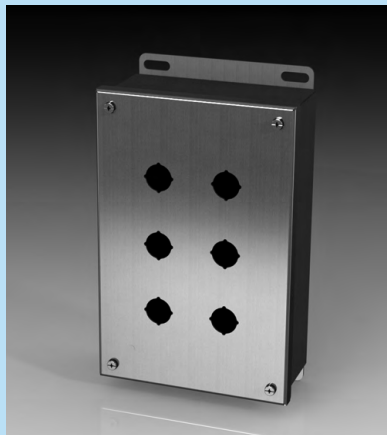
- 0.063" stainless steel Type 304 & 316/316L.
- Seams continuously welded and ground smooth.
- Captivated cover screws thread into sealed wells.
- 4-way pushbutton holes accept all brands of oil-tight pushbuttons, switches and pilot lights. Hole diameter 0.87" (22.5 mm).
- Immediate removal of cover is permitted.
- Oil-resistant door gasket.
- Welded mounting provision top and bottom of back.

### Finish -

#4 brushed finish on all exterior surfaces.

### IS5 - Industry Standards -

NEMA Type 4, 4X, 12 & Type 13  
 UL Listed Type 4, 4X & 12  
 CSA Type 4, 4X & 12  
 IEC 60529 IP66

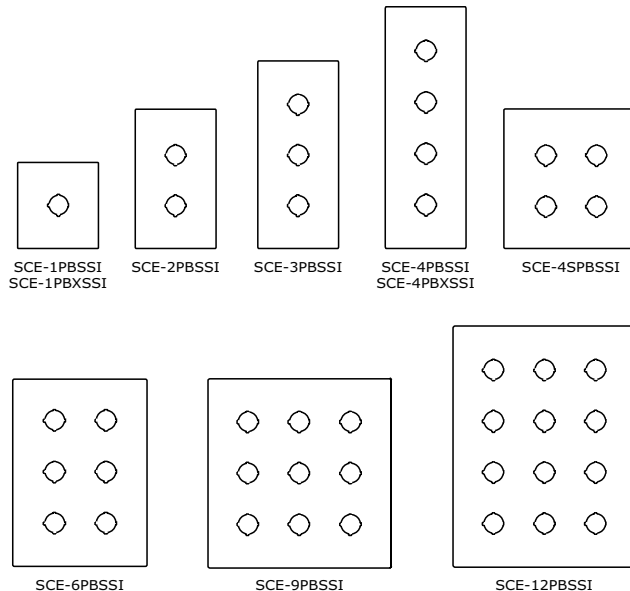


## 304 STAINLESS STEEL 22.5 mm PUSHBUTTON ENCLOSURES

ENCLOSURE PRODUCT CODE S1					
Catalog No.	Height (A)	Width (B)	Depth (C)	Industry Standard	List Price
SCE-1PBSSI	3.50	3.25	2.75	IS5	134.38
SCE-1PBXSSI	4.00	4.00	4.75	IS5	179.00
SCE-2PBSSI	5.75	3.25	2.75	IS5	168.31
SCE-3PBSSI	8.00	3.25	2.75	IS5	183.25
SCE-4PBSSI	10.25	3.25	2.75	IS5	207.67
SCE-4PBXSSI	10.00	4.00	4.75	IS5	247.05
SCE-4SPBSSI	7.25	6.25	3.00	IS5	228.03
SCE-6PBSSI	9.50	6.25	3.00	IS5	272.84
SCE-9PBSSI	9.50	8.50	3.00	IS5	308.12
SCE-12PBSSI	11.75	8.50	3.00	IS5	351.56

## 304 STAINLESS STEEL 22.5 mm PUSHBUTTON ENCLOSURES

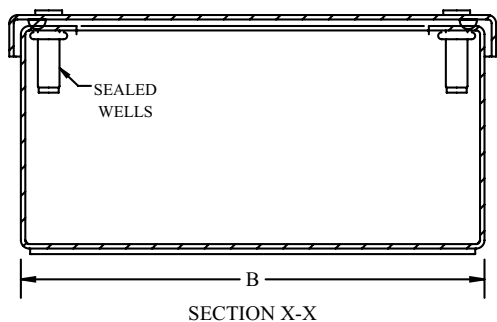
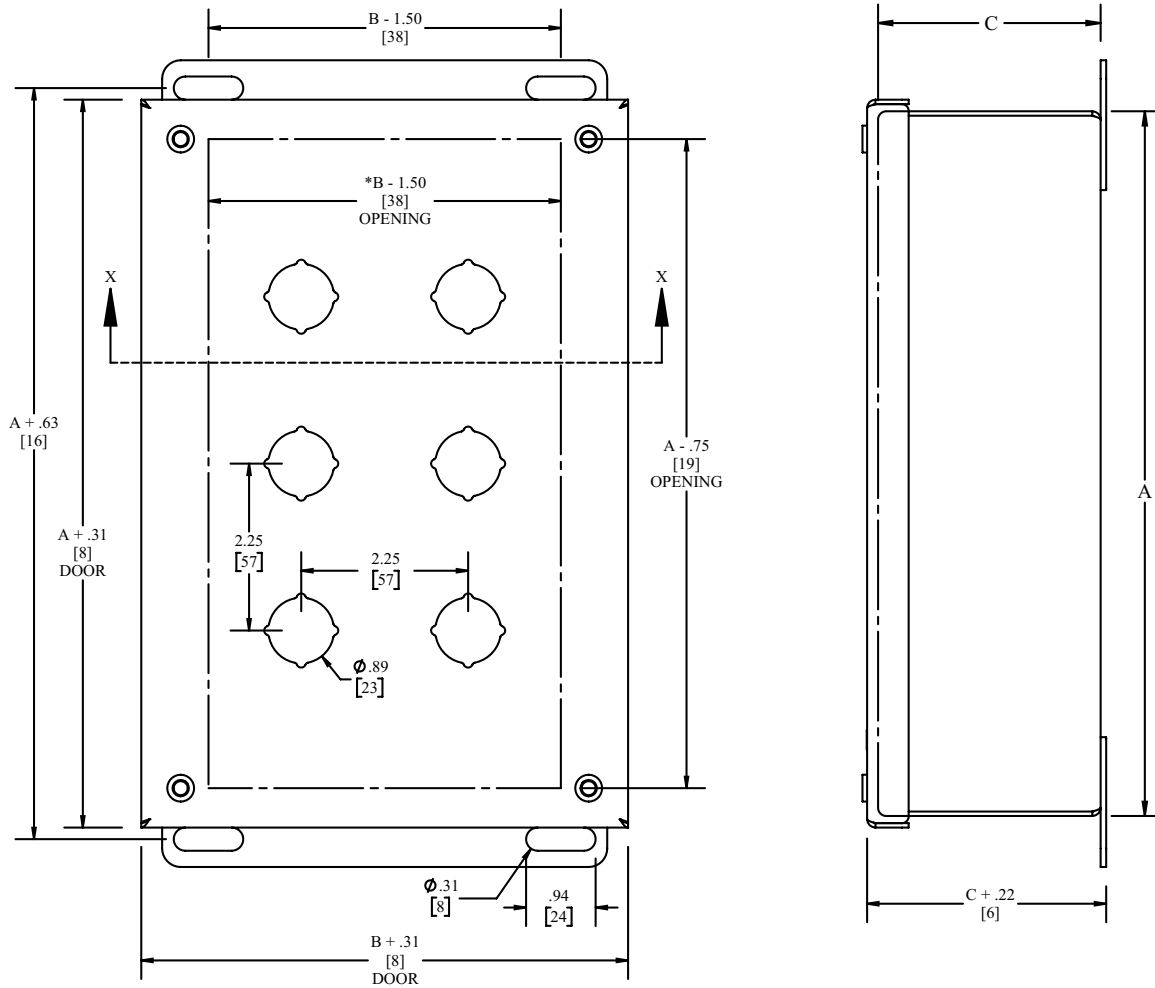
ENCLOSURE PRODUCT CODE S1					
Catalog No.	Height (A)	Width (B)	Depth (C)	Industry Standard	List Price
SCE-1PBSS6I	3.50	3.25	2.75	IS5	161.26
SCE-1PBXSS6I	4.00	4.00	4.75	IS5	214.80
SCE-2PBSS6I	5.75	3.25	2.75	IS5	201.97
SCE-3PBSS6I	8.00	3.25	2.75	IS5	219.90
SCE-4PBSS6I	10.25	3.25	2.75	IS5	249.20
SCE-4PBXSS6I	10.00	4.00	4.75	IS5	296.46
SCE-4SPBSS6I	7.25	6.25	3.00	IS5	273.64
SCE-6PBSS6I	9.50	6.25	3.00	IS5	327.41
SCE-9PBSS6I	9.50	8.50	3.00	IS5	369.74
SCE-12PBSS6I	11.75	8.50	3.00	IS5	421.87





# STAINLESS STEEL 22.5 mm PUSHBUTTON ENCLOSURES

## TECHNICAL DATA



NOTE:  
\*B - .50 [13] WHEN ONE COLUMN OF PUSHBUTTONS



Phone (989) 799-6871  
Fax (989) 799-4524

## Stainless Steel Extra Large 30.5 mm Hinged Pushbutton Enclosures

### Application -

Designed to house standard pushbuttons, switches and pilot lights in wet and hosed down areas and in corrosive atmospheres. For installation information, consult our Installation Manual at [www.saginawcontrol.com](http://www.saginawcontrol.com).

### Construction -

- 0.063" stainless steel Type 304 & 316/316L.
- Seams continuously welded and ground smooth.
- Captivated cover screws thread into sealed wells.
- 4-way pushbutton holes accept all brands of oil-tight pushbuttons, switches and pilot lights. Hole diameter 1.20" (30.5 mm).
- Oil-resistant door gasket.
- Provisions for sub-panel.
- Ground stud on door and body.
- Bolt-on continuous hinge with stainless steel hinge pin.
- Welded mounting provision top and bottom of back.

### Finish -

#4 brushed finish on all exterior surfaces. Optional sub-panels powder coated white.

### IS5 - Industry Standards -

NEMA Type 4, 4X, 12 & Type 13  
 UL Listed Type 4, 4X & 12  
 CSA Type 4, 4X & 12  
 IEC 60529 IP66

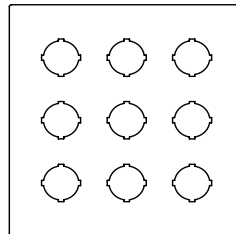


## 304 STAINLESS STEEL 30.5 mm EXTRA LARGE HINGED PUSHBUTTON ENCLOSURES

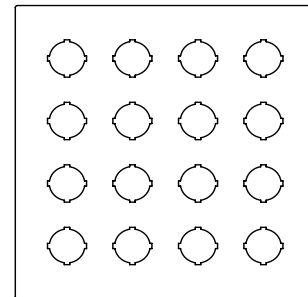
ENCLOSURE PRODUCT CODE S1						SUB-PANEL (P3)			
Catalog No.	Height (A)	Width (B)	Depth (C)	Industry Standard	List Price	Catalog No.	Panel Height (E)	Panel Width (F)	List Price
SCE-9PBHSS	10.13	10.00	6.00	IS5	287.73	SCE-10P10	9.00	9.00	6.73
SCE-16PBHSS	12.13	12.00	6.00	IS5	491.20	SCE-12P12	11.00	11.00	9.08

## 316 STAINLESS STEEL 30.5 mm EXTRA LARGE HINGED PUSHBUTTON ENCLOSURES

ENCLOSURE PRODUCT CODE S1						SUB-PANEL (P3)			
Catalog No.	Height (A)	Width (B)	Depth (C)	Industry Standard	List Price	Catalog No.	Panel Height (E)	Panel Width (F)	List Price
SCE-9PBHSS6	10.13	10.00	6.00	IS5	345.28	SCE-10P10	9.00	9.00	6.73
SCE-16PBHSS6	12.13	12.00	6.00	IS5	589.44	SCE-12P12	11.00	11.00	9.08



SCE-9PBHSS



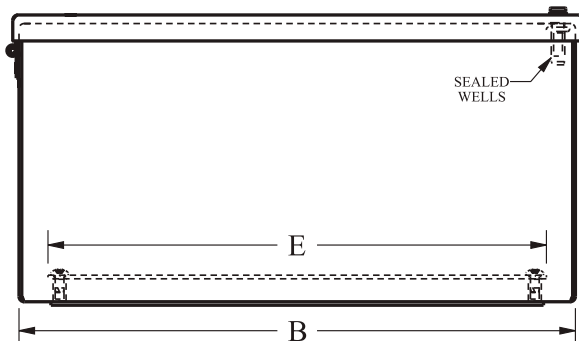
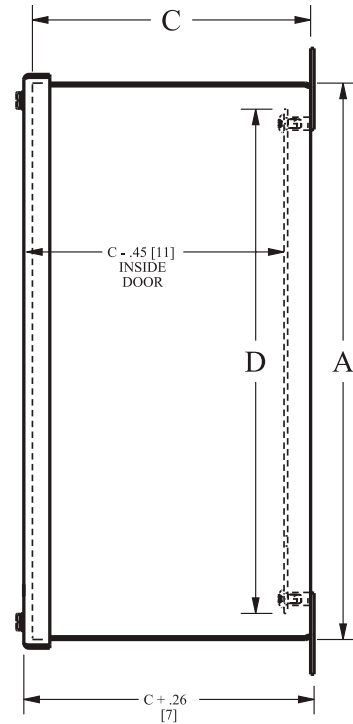
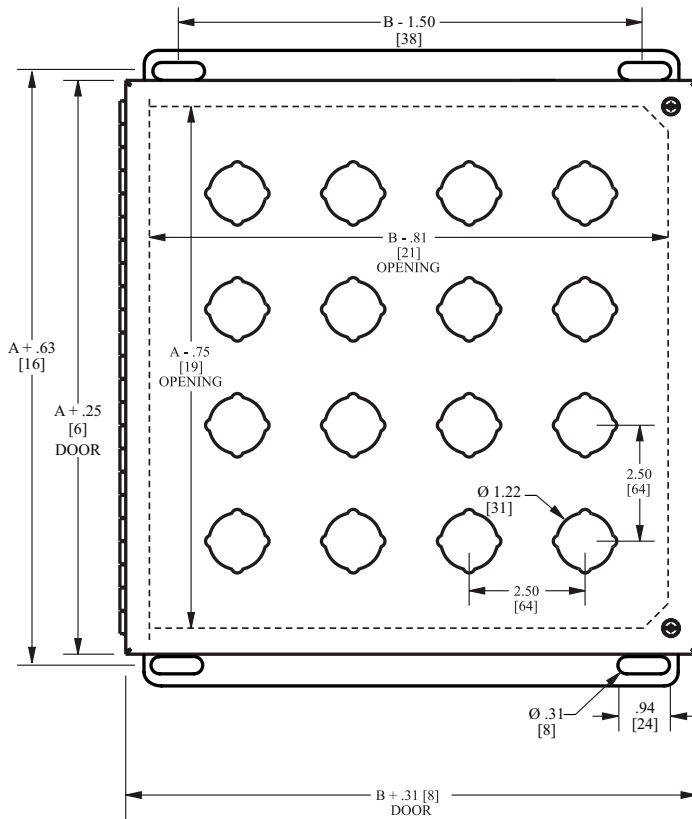
SCE-16PBHSS

Phone (989) 799-6871  
 Fax (989) 799-4524





# STAINLESS STEEL EXTRA LARGE 30.5 mm HINGED PUSHBUTTON ENCLOSURES TECHNICAL DATA



Phone (989) 799-6871  
Fax (989) 799-4524

- 1 Operator System Enclosures
- 2 Wall-Mount Enclosures
- 3 Free-Standing & Floor-Mounted Enclosures
- 4 Modular Enclosures
- 5 Operator System Enclosures (Stainless Steel)
- 6 Wall-Mount Enclosures (Stainless Steel)
- 7 Free-Standing & Floor-Mounted Enclosures (Stainless Steel)
- 8 Non-Metallic Enclosures
- 9 Accessories
- 10 Technical Information
- 11 Index

## Stainless Steel Extra Large 22.5 mm Hinged Pushbutton Enclosures

### Application -

Designed to house standard pushbuttons, switches and pilot lights in wet and hosed down areas and in corrosive atmospheres. For installation information, consult our Installation Manual at [www.saginawcontrol.com](http://www.saginawcontrol.com).

### Construction -

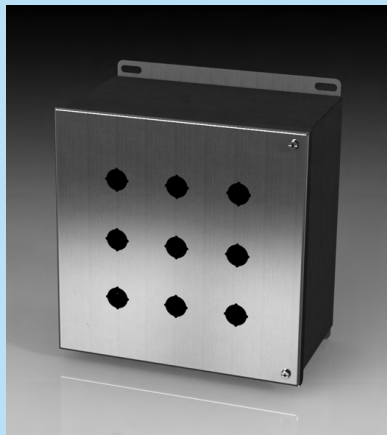
- 0.063" stainless steel Type 304 & 316/316L.
- Seams continuously welded and ground smooth.
- Captivated cover screws thread into sealed wells.
- 4-way pushbutton holes accept all brands of oil-tight pushbuttons, switches and pilot lights. Hole diameter 0.87" (22.5 mm).
- Oil-resistant door gasket.
- Provisions for sub-panel.
- Ground stud on door and body.
- Bolt-on continuous hinge with stainless steel hinge pin.
- Welded mounting provision top and bottom of back.

### Finish -

#4 brushed finish on all exterior surfaces. Optional sub-panels powder coated white.

### IS5 - Industry Standards -

NEMA Type 4, 4X, 12 & Type 13  
 UL Listed Type 4, 4X & 12  
 CSA Type 4, 4X & 12  
 IEC 60529 IP66

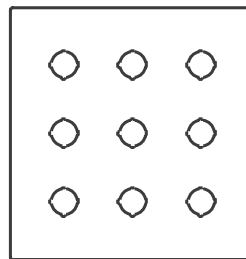


## 304 STAINLESS STEEL EXTRA LARGE 22.5 mm HINGED PUSHBUTTON ENCLOSURES

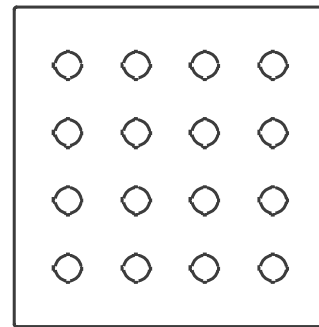
ENCLOSURE PRODUCT CODE S1						SUB-PANEL (P3)			
Catalog No.	Height (A)	Width (B)	Depth (C)	Industry Standard	List Price	Catalog No.	Panel Height (E)	Panel Width (F)	List Price
SCE-9PBHSSI	10.13	10.00	6.00	IS5	287.73	SCE-10P10	9.00	9.00	6.73
SCE-16PBHSSI	12.13	12.00	6.00	IS5	491.20	SCE-12P12	11.00	11.00	9.08

## 316 STAINLESS STEEL EXTRA LARGE 22.5 mm HINGED PUSHBUTTON ENCLOSURES

ENCLOSURE PRODUCT CODE S1						SUB-PANEL (P3)			
Catalog No.	Height (A)	Width (B)	Depth (C)	Industry Standard	List Price	Catalog No.	Panel Height (E)	Panel Width (F)	List Price
SCE-9PBHSS6I	10.13	10.00	6.00	IS5	345.28	SCE-10P10	9.00	9.00	6.73
SCE-16PBHSS6I	12.13	12.00	6.00	IS5	589.44	SCE-12P12	11.00	11.00	9.08



SCE-9PBHSSI



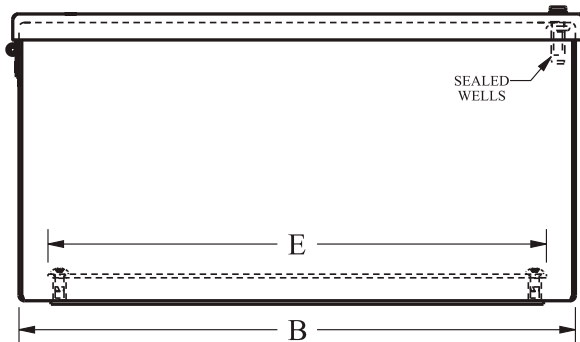
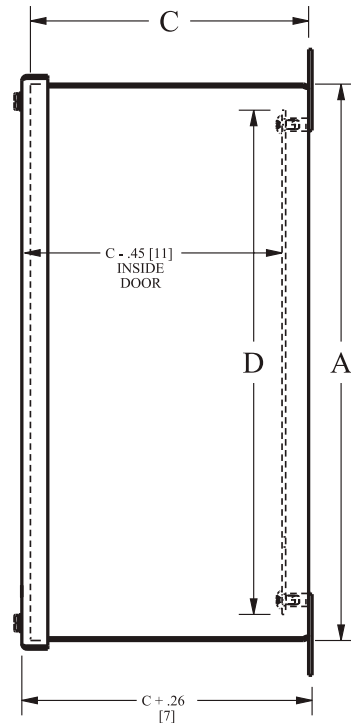
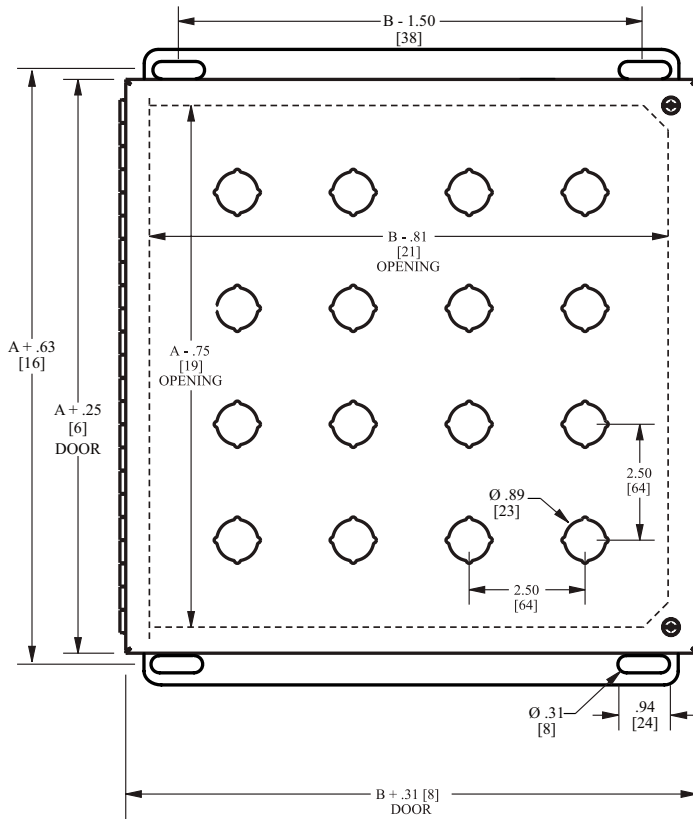
SCE-16PBHSSI

Phone (989) 799-6871  
 Fax (989) 799-4524





# STAINLESS STEEL EXTRA LARGE 22.5 mm HINGED PUSHBUTTON ENCLOSURES TECHNICAL DATA



Phone (989) 799-6871  
Fax (989) 799-4524

- 1 Operator System Enclosures
- 2 Wall-Mount Enclosures
- 3 Free-Standing & Floor-Mounted Enclosures
- 4 Modular Enclosures
- 5 Operator System Enclosures (Stainless Steel)
- 6 Wall-Mount Enclosures (Stainless Steel)
- 7 Free-Standing & Floor-Mounted Enclosures (Stainless Steel)
- 8 Non-Metallic Enclosures
- 9 Accessories
- 10 Technical Information
- 11 Index

## 304 & 316 Stainless Steel EnviroLine® Series Junction Enclosures

### Application -

Designed to house electrical controls, instruments and components in areas, which may be regularly hosed down or are in very wet or oily conditions. Provides a degree of protection from dust, dirt, oil, and water. For outdoor application a drip shield is recommended. For installation information, consult our Installation Manual at [www.saginawcontrol.com](http://www.saginawcontrol.com).

### Construction -

- 0.063" stainless steel Type 304 & 316/316L.
- Seams continuously welded and ground smooth.
- Flange trough collar around all sides of door opening.
- Oil-resistant gasket.
- Standoffs provided for mounting optional panels.
- Removable hinge.
- Doors open 180 degrees.
- Black mini quarter turn latches.
- Latches are opened or closed with a screwdriver.
- Sealing washers and hole plugs included.
- Ground stud on door & body.
- Mounting feet included.
- Optional latches available.

### Finish -

#4 brushed finish on all exterior surfaces. Optional sub-panels powder coated white.

### IS6 - Industry Standards -

NEMA Type 3R, 4, 4X, 12 & Type 13  
 UL Listed Type 3R, 4, 4X & 12  
 CSA Type 3R, 4, 4X & 12  
 IEC 60529 IP66

\*\*\*Special Instructions apply for IS3, IS4 and IS6 to maintain the environmental rating of Type 3R for these parts. See the Special Instructions on the Industry Standards page in the Technical Information Section.

## 304 STAINLESS STEEL ENVIROLINE® SERIES JUNCTION ENCLOSURES

ENCLOSURE PRODUCT CODE S6						SUB-PANEL (P3)			
Catalog No.	Height (A)	Width (B)	Depth (C)	Industry Standard	List Price	Catalog No.	Panel Height (E)	Panel Width (F)	List Price
SCE-604ELJSS	6.00	4.00	4.00	IS6	135.53	SCE-6P4	5.00	3.00	3.01
SCE-606ELJSS	6.00	6.00	4.00	IS6	169.40	SCE-6P6	5.00	5.00	3.61
SCE-806ELJSS	8.00	6.00	4.00	IS6	176.82	SCE-8P6	7.00	5.00	4.17
SCE-8066ELJSS	8.00	6.00	6.00	IS6	202.17	SCE-8P6	7.00	5.00	4.17
SCE-1008ELJSS	10.00	8.00	4.00	IS6	260.94	SCE-10P8	9.00	7.00	5.70
SCE-10086ELJSS	10.00	8.00	6.00	IS6	290.44	SCE-10P8	9.00	7.00	5.70
SCE-1210ELJSS	12.00	10.00	6.00	IS6	328.93	SCE-12P10	11.00	9.00	7.72
SCE-12108ELJSS	12.00	10.00	8.00	IS6	352.80	SCE-12P10	11.00	9.00	7.72
SCE-1212ELJSS	12.00	12.00	6.00	IS6	355.50	SCE-12P12	11.00	11.00	9.08
SCE-1412ELJSS	14.00	12.00	6.00	IS6	378.21	SCE-14P12	13.00	11.00	10.13
SCE-14128ELJSS	14.00	12.00	8.00	IS6	400.92	SCE-14P12	13.00	11.00	10.13
SCE-1614ELJSS	16.00	14.00	6.00	IS6	444.87	SCE-16P14	15.00	13.00	19.95
SCE-16148ELJSS	16.00	14.00	8.00	IS6	508.38	SCE-16P14	15.00	13.00	19.95

## 316 STAINLESS STEEL ENVIROLINE® SERIES JUNCTION ENCLOSURES

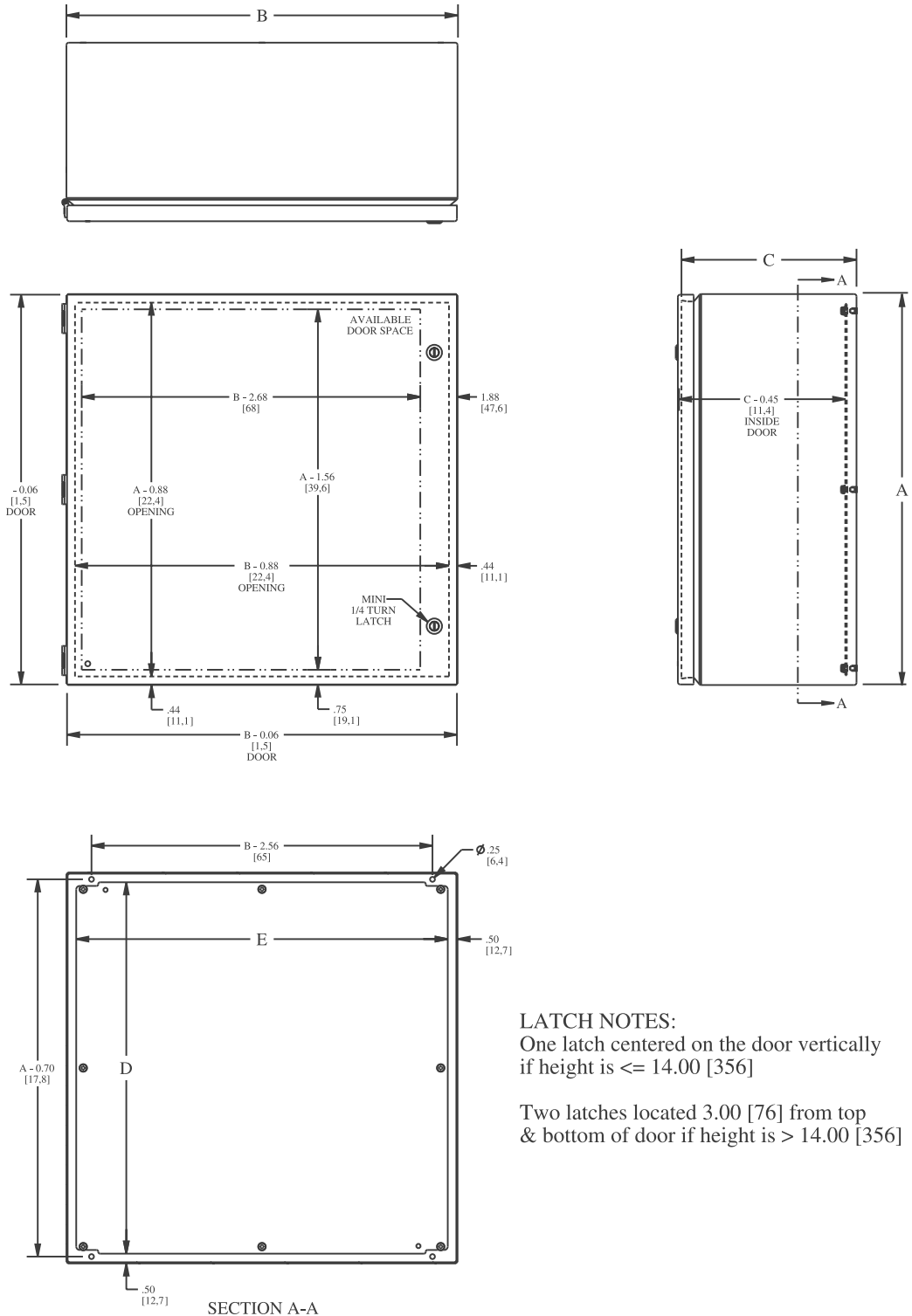
ENCLOSURE PRODUCT CODE S7						SUB-PANEL (P3)			
Catalog No.	Height (A)	Width (B)	Depth (C)	Industry Standard	List Price	Catalog No.	Panel Height (E)	Panel Width (F)	List Price
SCE-604ELJSS6	6.00	4.00	4.00	IS6	162.64	SCE-6P4	5.00	3.00	3.01
SCE-606ELJSS6	6.00	6.00	4.00	IS6	203.28	SCE-6P6	5.00	5.00	3.61
SCE-806ELJSS6	8.00	6.00	4.00	IS6	212.18	SCE-8P6	7.00	5.00	4.17
SCE-8066ELJSS6	8.00	6.00	6.00	IS6	242.60	SCE-8P6	7.00	5.00	4.17
SCE-1008ELJSS6	10.00	8.00	4.00	IS6	313.13	SCE-10P8	9.00	7.00	5.70
SCE-10086ELJSS6	10.00	8.00	6.00	IS6	348.53	SCE-10P8	9.00	7.00	5.70
SCE-1210ELJSS6	12.00	10.00	6.00	IS6	394.72	SCE-12P10	11.00	9.00	7.72
SCE-12108ELJSS6	12.00	10.00	8.00	IS6	423.36	SCE-12P10	11.00	9.00	7.72
SCE-1212ELJSS6	12.00	12.00	6.00	IS6	426.60	SCE-12P12	11.00	11.00	9.08
SCE-1412ELJSS6	14.00	12.00	6.00	IS6	453.85	SCE-14P12	13.00	11.00	10.13
SCE-14128ELJSS6	14.00	12.00	8.00	IS6	481.10	SCE-14P12	13.00	11.00	10.13
SCE-1614ELJSS6	16.00	14.00	6.00	IS6	533.84	SCE-16P14	15.00	13.00	19.95
SCE-16148ELJSS6	16.00	14.00	8.00	IS6	610.06	SCE-16P14	15.00	13.00	19.95



Phone (989) 799-6871  
 Fax (989) 799-4524



# STAINLESS STEEL ENVIROLINE® SERIES JUNCTION ENCLOSURES TECHNICAL DATA



**LATCH NOTES:**  
 One latch centered on the door vertically if height is  $\leq 14.00$  [356]  
 Two latches located  $3.00$  [76] from top & bottom of door if height is  $> 14.00$  [356]



Phone (989) 799-6871  
 Fax (989) 799-4524

- 1 Operator System Enclosures
- 2 Wall-Mount Enclosures
- 3 Free-Standing & Floor-Mounted Enclosures
- 4 Modular Enclosures
- 5 Operator System Enclosures (Stainless Steel)
- 6 Wall-Mount Enclosures (Stainless Steel)
- 7 Free-Standing & Floor-Mounted Enclosures (Stainless Steel)
- 8 Non-Metallic Enclosures
- 9 Accessories
- 10 Technical Information
- 11 Index

## 304 & 316 Stainless Steel Envirolite® Series Junction Enclosures with Viewing Window

### Application -

Designed to house electrical controls, instruments and components that require unrestricted viewing of the gages or controls, in areas, which may be regularly hosed down or are in very wet or oily conditions. Provides a degree of protection from dust, dirt, oil, and water. For outdoor application a drip shield is recommended. For installation information, consult our Installation Manual at [www.saginawcontrol.com](http://www.saginawcontrol.com).

### Construction -

- 0.063" stainless steel Type 304 & 316/316L.
- Seams continuously welded and ground smooth.
- Flange trough collar around all sides of door opening.
- Oil-resistant gasket.
- 0.25" polycarbonate viewing window.
- Standoffs provided for mounting optional sub-panels.
- Removable hinge.
- Doors open 180 degrees.
- Black mini quarter turn latches.
- Latches are opened or closed with a screwdriver.
- Sealing washers and hole plugs included.
- Ground stud on door & body.
- Mounting feet included.
- Optional latches available.

### Finish -

#4 brushed finish on all exterior surfaces. Optional panels are powder coated white.

### Notes -

Recommend use as Type 3R rating in full outdoor exposure and extreme weather environments.

For more details see *Design Considerations When Specifying Your Enclosure* on our website.

### IS6 - Industry Standards -

NEMA Type 3R, 4, 4X, 12 & Type 13  
 UL Listed Type 3R, 4, 4X & 12  
 CSA Type 3R, 4, 4X & 12  
 IEC 60529 IP66

\*\*\*Special Instructions apply for IS3, IS4 and IS6 to maintain the environmental rating of Type 3R for these parts. See the Special Instructions on the Industry Standards page in the Technical Information Section.

## 304 Stainless Steel Envirolite® Series Junction Enclosures with Viewing Window

ENCLOSURE PRODUCT CODE S6							SUB-PANEL (P3)	
Catalog No.	Height (A)	Width (B)	Depth (C)	Window Viewing Size	Industry Standard	List Price	Catalog No.	List Price
SCE-1008ELJWSS	10.00	8.00	4.00	6.00 x 3.375	IS6	359.33	SCE-10P8	5.70
SCE-10086ELJWSS	10.00	8.00	6.00	6.00 x 3.375	IS6	378.97	SCE-10P8	5.70
SCE-1210ELJWSS	12.00	10.00	6.00	8.00 x 5.375	IS6	418.25	SCE-12P10	7.72
SCE-12108ELJWSS	12.00	10.00	8.00	8.00 x 5.375	IS6	432.12	SCE-12P10	7.72
SCE-1614ELJWSS	16.00	14.00	6.00	12.00 x 9.375	IS6	563.84	SCE-16P14	19.95
SCE-16148ELJWSS	16.00	14.00	8.00	12.00 x 9.375	IS6	597.34	SCE-16P14	19.95

## 316 Stainless Steel Envirolite® Series Junction Enclosures with Viewing Window

ENCLOSURE PRODUCT CODE S7							SUB-PANEL (P3)	
Catalog No.	Height (A)	Width (B)	Depth (C)	Window Viewing Size	Industry Standard	List Price	Catalog No.	List Price
SCE-1008ELJWSS6	10.00	8.00	4.00	6.00 x 3.375	IS6	431.20	SCE-10P8	5.70
SCE-10086ELJWSS6	10.00	8.00	6.00	6.00 x 3.375	IS6	454.77	SCE-10P8	5.70
SCE-1210ELJWSS6	12.00	10.00	6.00	8.00 x 5.375	IS6	501.91	SCE-12P10	7.72
SCE-12108ELJWSS6	12.00	10.00	8.00	8.00 x 5.375	IS6	518.54	SCE-12P10	7.72
SCE-1614ELJWSS6	16.00	14.00	6.00	12.00 x 9.375	IS6	676.60	SCE-16P14	19.95
SCE-16148ELJWSS6	16.00	14.00	8.00	12.00 X 9.375	IS6	716.81	SCE-16P14	19.95



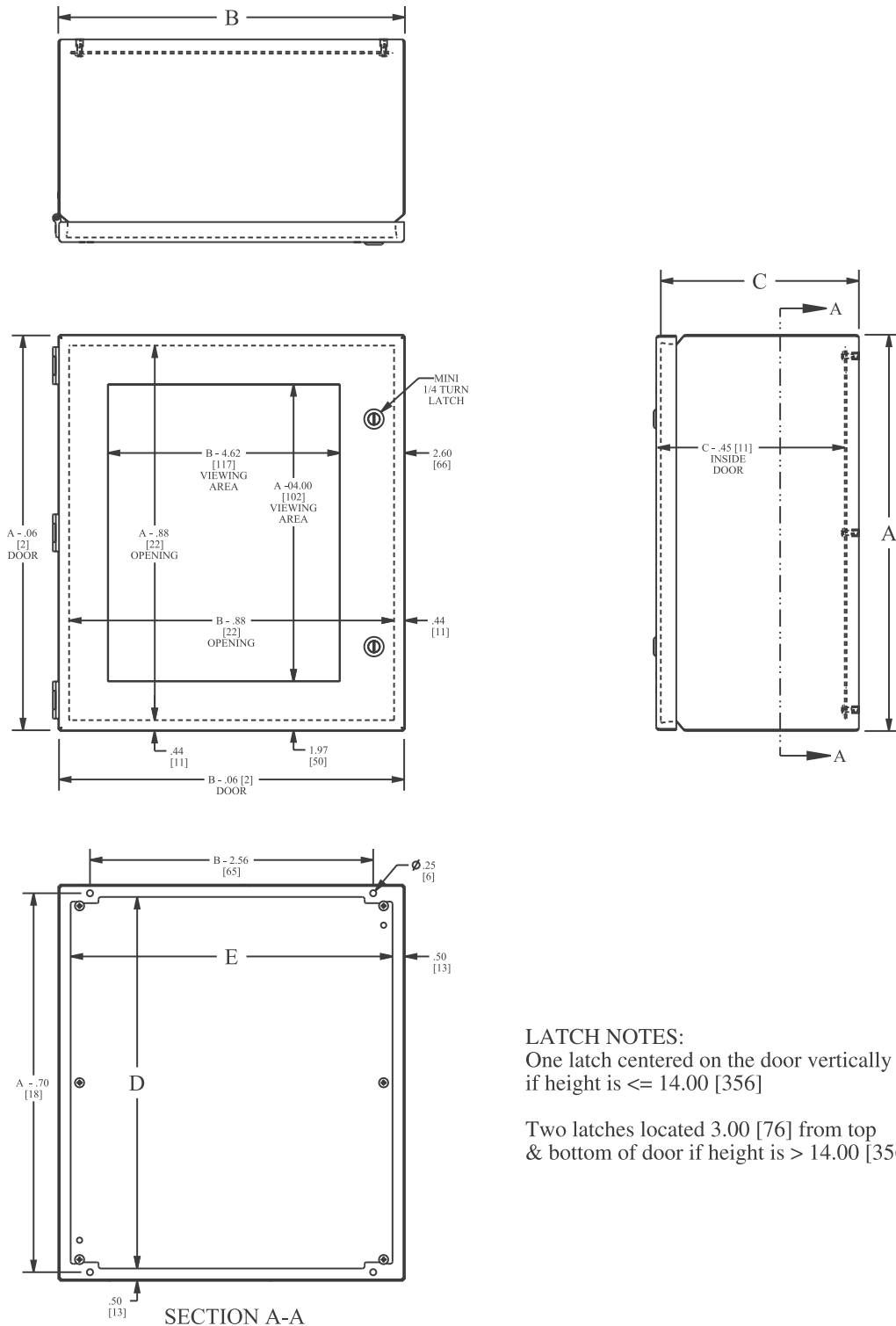
Phone (989) 799-6871  
 Fax (989) 799-4524





# STAINLESS STEEL ENVIROLINE® SERIES JUNCTION ENCLOSURES WITH VIEWING WINDOW

## TECHNICAL DATA



Phone (989) 799-6871  
 Fax (989) 799-4524

## Enviroline® Series Trough Junction Enclosures

### Application -

Designed to house electrical controls, instruments and components used in an indoor or outdoor environment to provide a degree of protection for the equipment inside the enclosure against ingress of solid foreign objects (falling dirt); and provide a degree of protection with respect to the harmful effects on the equipment due to the ingress of water (rain, sleet, snow). For installation information, consult our Installation Manual at [www.saginawcontrol.com](http://www.saginawcontrol.com).

### Construction -

- 0.063" stainless steel Type 304.
- Seams continuously welded and ground smooth.
- Flange trough collar around all sides of door opening.
- Oil-resistant gasket.
- Standoffs provided for mounting optional sub-panels.
- Removable hinges.
- Doors open 180 degrees.
- Black mini quarter turn latches.
- Latches are opened or closed with a screwdriver.
- Sealing washers and hole plugs included.
- Ground stud on door and body.
- Mounting feet included.
- Padlocking or keylocking latches, and tamper-resistant hardware is available.

### Finish -

#4 brushed finish on all exterior surfaces. Optional sub-panels powder coated white.

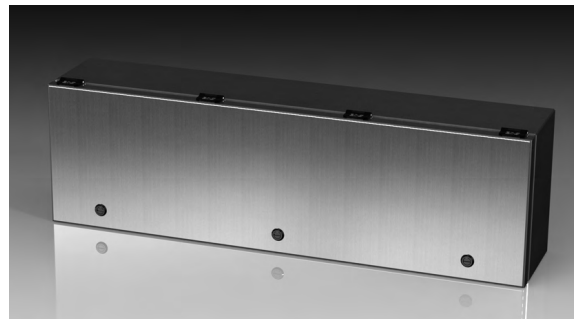
### IS6 - Industry Standards -

NEMA Type 3R, 4, 4X, 12 & Type 13  
 UL Listed Type 3R, 4, 4X & 12  
 CSA Type 3R, 4, 4X & 12  
 IEC 60529 IP66

\*\*\*Special Instructions apply for IS3, IS4 and IS6 to maintain the environmental rating of Type 3R for these parts. See the Special Instructions on the Industry Standards page in the Technical Information Section.

## STAINLESS STEEL ENVIROLINE® SERIES TROUGH JUNCTION ENCLOSURES

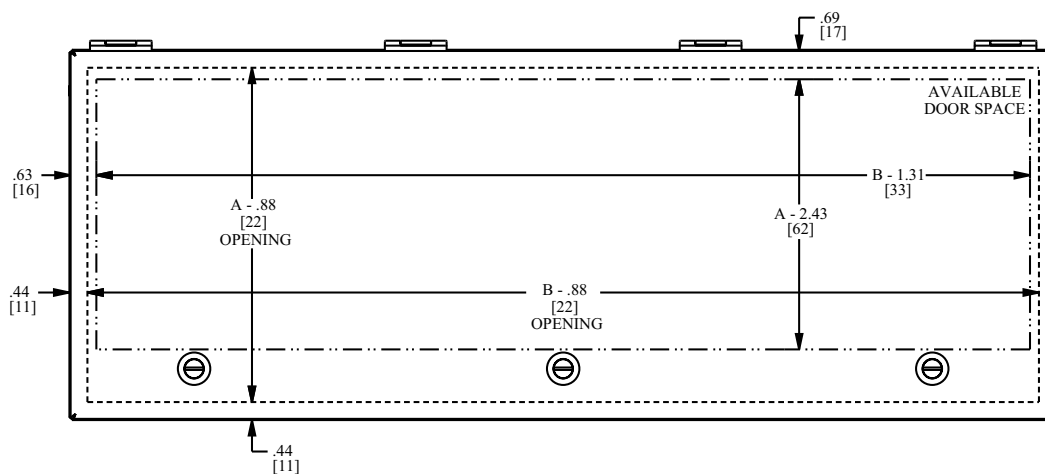
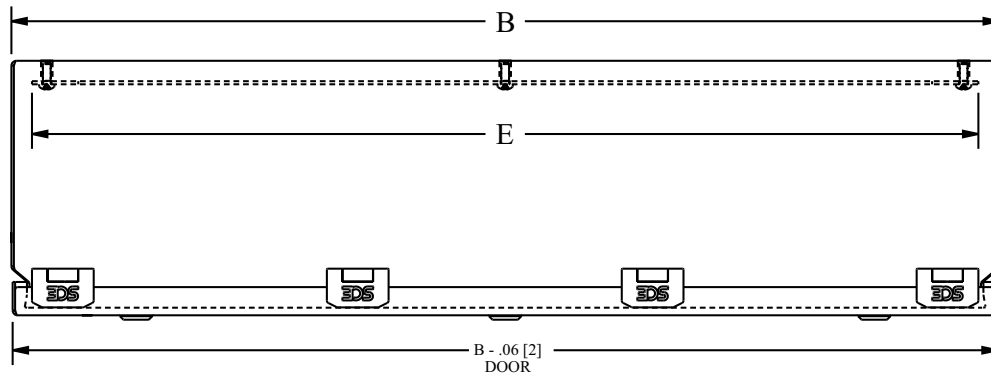
ENCLOSURE PRODUCT CODE S6						SUB-PANEL (P3)			
Catalog No.	Height (A)	Width (B)	Depth (C)	Industry Standard	List Price	Catalog No.	Panel Height (E)	Panel Width (F)	List Price
SCE-L9126ELJSS	9.00	12.00	6.00	IS6	646.71	SCE-9P12L	8.00	11.00	18.86
SCE-L9128ELJSS	9.00	12.00	8.00	IS6	685.51	SCE-9P12L	8.00	11.00	18.86
SCE-L9186ELJSS	9.00	18.00	6.00	IS6	718.82	SCE-9P18L	8.00	17.00	26.63
SCE-L9188ELJSS	9.00	18.00	8.00	IS6	761.95	SCE-9P18L	8.00	17.00	26.63
SCE-L9246ELJSS	9.00	24.00	6.00	IS6	724.61	SCE-9P24L	8.00	23.00	29.14
SCE-L9248ELJSS	9.00	24.00	8.00	IS6	768.09	SCE-9P24L	8.00	23.00	29.14
SCE-L9306ELJSS	9.00	30.00	6.00	IS6	786.43	SCE-9P30L	8.00	29.00	31.92
SCE-L9308ELJSS	9.00	30.00	8.00	IS6	833.62	SCE-9P30L	8.00	29.00	31.92
SCE-L9366ELJSS	9.00	36.00	6.00	IS6	844.61	SCE-9P36L	8.00	35.00	34.97
SCE-L9368ELJSS	9.00	36.00	8.00	IS6	895.29	SCE-9P36L	8.00	35.00	34.97



Phone (989) 799-6871  
 Fax (989) 799-4524

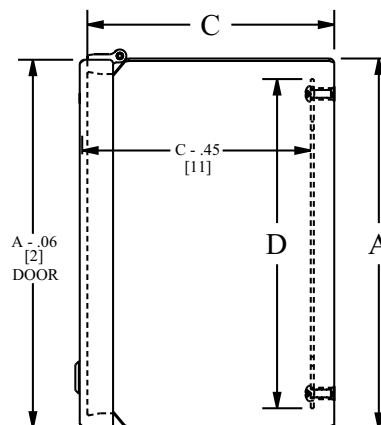


# STAINLESS STEEL ENVIROLINE® SERIES TROUGH JUNCTION ENCLOSURES TECHNICAL DATA



## LATCH NOTES:

1. One latch centered on the door horizontally if width is  $\leq 14.00$  [356]
2. Two latches located 3.00 [76] from sides of door if width is  $> 14.00$  [356]
3. An additional latch is centered horizontally if width is  $> 20.00$  [508]



## Stainless Steel Enviroline® Series Trough Junction Enclosures with Viewing Window

### Application -

Designed to house electrical controls, drives, instruments and components used in an indoor or outdoor environment to provide a degree of protection for the equipment inside the enclosure against ingress of solid foreign objects (falling dirt); and provide a degree of protection with respect to the harmful effects on the equipment due to the ingress of water (rain, sleet, snow). For installation information, consult our Installation Manual at [www.saginawcontrol.com](http://www.saginawcontrol.com).

### Construction -

- 0.063" stainless steel Type 304.
- Seams continuously welded and ground smooth.
- Flange trough collar around all sides of door opening.
- Large viewing windows.
- Oil-resistant gasket.
- Standoffs provided for mounting optional sub-panels.
- Removable hinges.
- Doors open 180 degrees.
- Black mini quarter turn latches.
- Latches are opened or closed with a screwdriver.
- Sealing washers and hole plugs included.
- Ground stud on door and body.
- Mounting holes in back.
- Mounting feet included.
- Padlocking or keylocking latches, and tamper-resistant hardware is available.

### Finish -

#4 brushed finish on all exterior surfaces. Optional sub-panels powder coated white.

### Notes -

Recommend use as Type 3R rating in full outdoor exposure and extreme weather environments.

For more details see *Design Considerations When Specifying Your Enclosure* on our website.

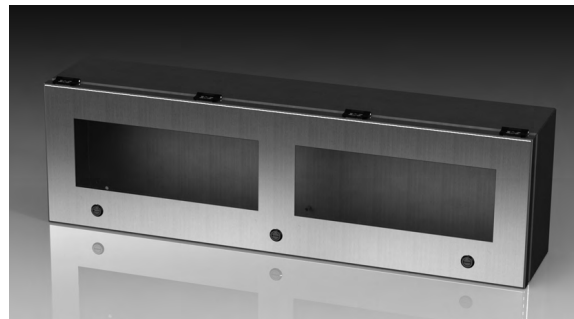
### IS6 - Industry Standards -

NEMA Type 3R, 4, 4X, 12 & Type 13  
 UL Listed Type 3R, 4, 4X & 12  
 CSA Type 3R, 4, 4X & 12  
 IEC 60529 IP66

\*\*\*Special Instructions apply for IS3, IS4 and IS6 to maintain the environmental rating of Type 3R for these parts. See the Special Instructions on the Industry Standards page in the Technical Information Section.

## STAINLESS STEEL ENVIROLINE® SERIES TROUGH JUNCTION ENCLOSURES WITH VIEWING WINDOW

ENCLOSURE PRODUCT CODE S6						SUB-PANEL (P3)			
Catalog No.	Height (A)	Width (B)	Depth (C)	Industry Standard	List Price	Catalog No.	Panel Height (E)	Panel Width (F)	List Price
SCE-L9126ELJWSS	9.00	12.00	6.00	IS6	933.54	SCE-9P12L	8.00	11.00	18.86
SCE-L9128ELJWSS	9.00	12.00	8.00	IS6	989.55	SCE-9P12L	8.00	11.00	18.86
SCE-L9186ELJWSS	9.00	18.00	6.00	IS6	942.86	SCE-9P18L	8.00	17.00	26.63
SCE-L9188ELJWSS	9.00	18.00	8.00	IS6	999.43	SCE-9P18L	8.00	17.00	26.63
SCE-L9246ELJWSS	9.00	24.00	6.00	IS6	1,028.89	SCE-9P24L	8.00	23.00	29.14
SCE-L9248ELJWSS	9.00	24.00	8.00	IS6	1,090.62	SCE-9P24L	8.00	23.00	29.14
SCE-L9306ELJWSS	9.00	30.00	6.00	IS6	1,039.07	SCE-9P30L	8.00	29.00	31.92
SCE-L9308ELJWSS	9.00	30.00	8.00	IS6	1,101.41	SCE-9P30L	8.00	29.00	31.92
SCE-L9366ELJWSS	9.00	36.00	6.00	IS6	1,049.68	SCE-9P36L	8.00	35.00	34.97
SCE-L9368ELJWSS	9.00	36.00	8.00	IS6	1,112.66	SCE-9P36L	8.00	35.00	34.97



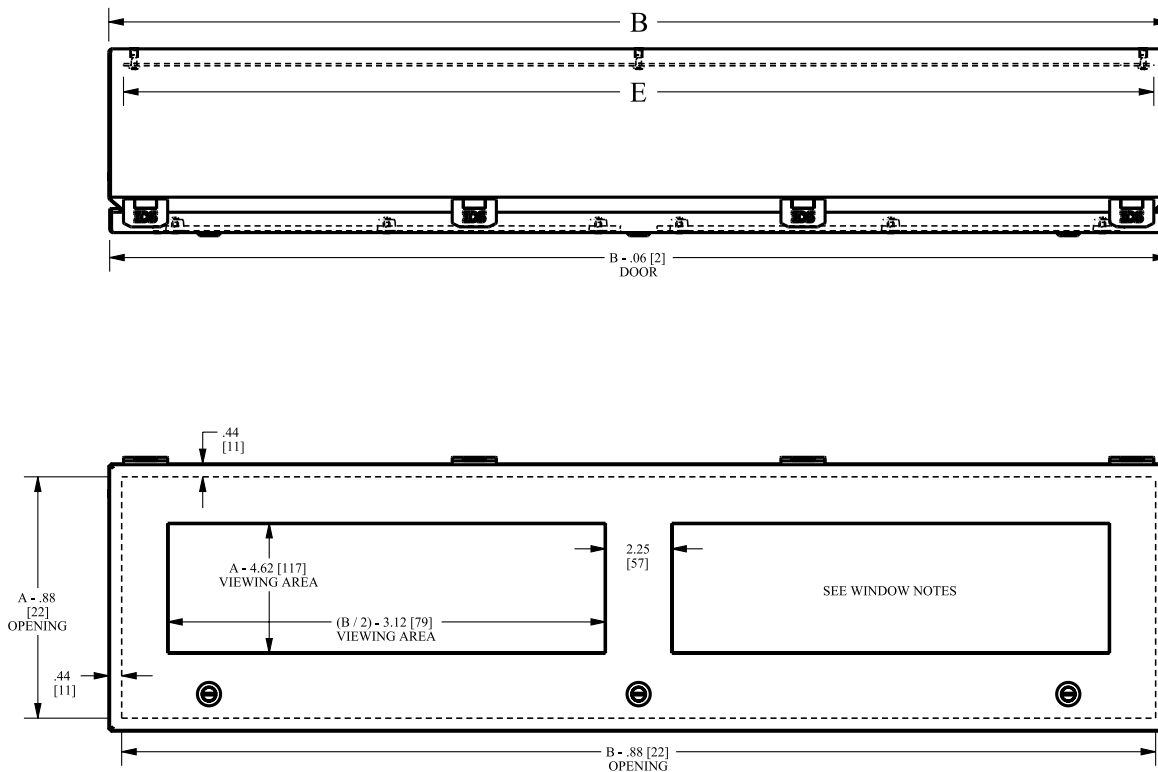
Phone (989) 799-6871  
 Fax (989) 799-4524





# STAINLESS STEEL ENVIROLINE® SERIES TROUGH JUNCTION ENCLOSURES WITH VIEWING WINDOW

## TECHNICAL DATA



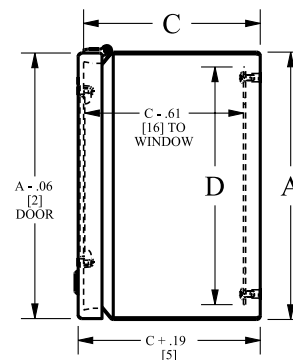
**LATCH NOTES:**  
One latch centered on door horizontally if width is  $\leq 14.00$  [356]

Two latches located 3.00 [76] from sides of door if width is  $> 14.00$  [356]

An Additional latch is centered horizontally if width is  $> 20.00$  [508]

**WINDOW NOTES:**  
Door has a single window when viewing area width is  $\leq 16.00$  [406]

Door has two windows if viewing area width would be  $> 16.00$  for a single window.



## 304 & 316 Stainless Steel Continuous Hinge Enclosures

### Application -

Designed for use as electrical junction boxes, terminal wiring boxes, instrument housings, and electrical control enclosures. For use in wet and hosed down areas and in corrosive atmospheres. For installation information, consult our Installation Manual at [www.saginawcontrol.com](http://www.saginawcontrol.com).

### Construction -

- 0.063" stainless steel Type 304 & 316/316L.
- Seams continuously welded and ground smooth.
- Stainless steel continuous hinge.
- Stainless steel external screw clamps are quick and easy to operate.
- Oil-resistant door gasket.
- Ground stud on door and body.
- Standoffs provided for mounting optional sub-panels.
- Welded mounting provision top and bottom of back.

### Finish -

#4 brushed finish on all exterior surfaces. Optional sub-panels powder coated white.

### IS6 - Industry Standards -

NEMA Type 3R, 4, 4X, 12 & Type 13  
 UL Listed Type 3R, 4, 4X & 12  
 CSA Type 3R, 4, 4X & 12  
 IEC 60529 IP66

\*\*\*Special Instructions apply for IS3, IS4 and IS6 to maintain the environmental rating of Type 3R for these parts. See the Special Instructions on the Industry Standards page in the Technical Information Section.



## 304 STAINLESS STEEL CONTINUOUS HINGE ENCLOSURES

ENCLOSURE PRODUCT CODE S1						SUB-PANEL (P3)			
Catalog No.	Height (A)	Width (B)	Depth (C)	Industry Standard	List Price	Catalog No.	Panel Height (E)	Panel Width (F)	List Price
SCE-6044CHNFSS	6.13	4.00	4.00	IS6	176.45	SCE-6P4	5.00	3.00	3.01
SCE-606CHNFSS	6.13	6.00	4.00	IS6	220.89	SCE-6P6	5.00	5.00	3.61
SCE-8064CHNFSS	8.13	6.00	4.00	IS6	229.90	SCE-8P6	7.00	5.00	4.17
SCE-1008CHNFSS	10.13	8.00	4.00	IS6	332.84	SCE-10P8	9.00	7.00	5.70
SCE-10086CHNFSS	10.13	8.00	6.00	IS6	364.04	SCE-10P8	9.00	7.00	5.70
SCE-12106CHNFSS	12.13	10.00	6.00	IS6	411.42	SCE-12P10	11.00	9.00	7.72
SCE-12108CHNFSS	12.13	10.00	8.00	IS6	438.43	SCE-12P10	11.00	9.00	7.72
SCE-1212CHNFSS	12.13	12.00	6.00	IS6	440.78	SCE-12P12	11.00	11.00	9.08
SCE-1412CHNFSS	14.13	12.00	6.00	IS6	465.15	SCE-14P12	13.00	11.00	10.13
SCE-1614CHNFSS	16.13	14.00	6.00	IS6	548.38	SCE-16P14	15.00	13.00	19.95
SCE-16148CHNFSS	16.13	14.00	8.00	IS6	608.14	SCE-16P14	15.00	13.00	19.95

## 316 STAINLESS STEEL CONTINUOUS HINGE ENCLOSURES

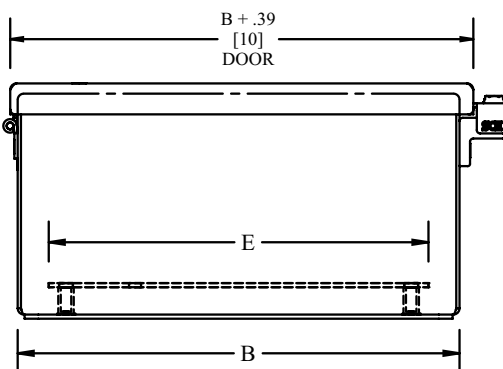
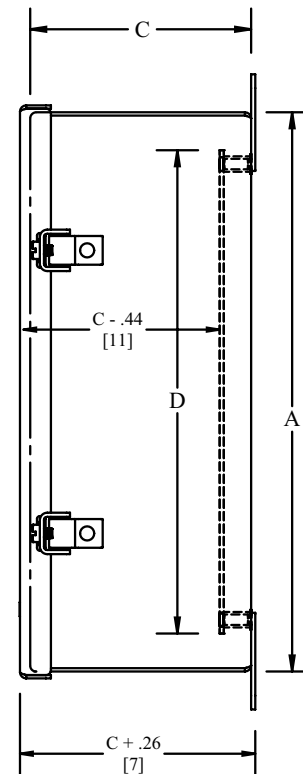
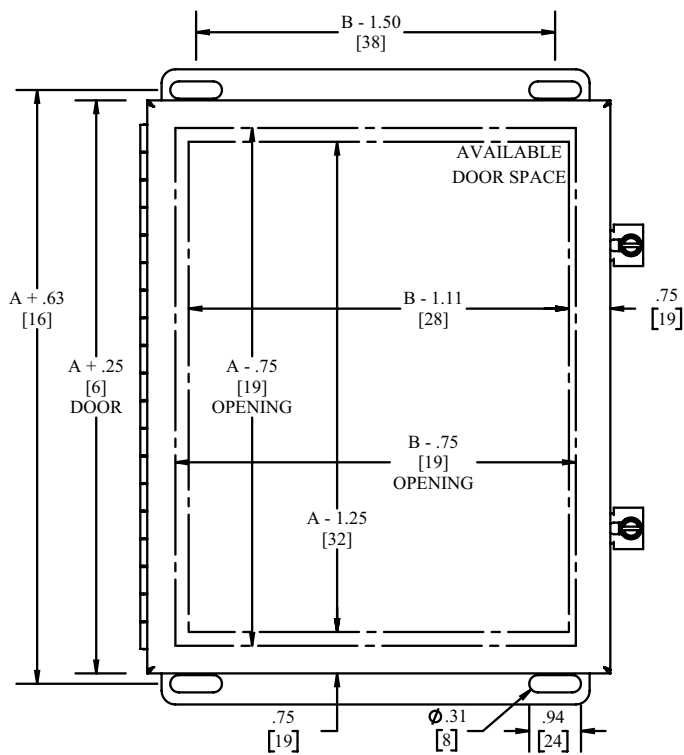
ENCLOSURE PRODUCT CODE S7						SUB-PANEL (P3)			
Catalog No.	Height (A)	Width (B)	Depth (C)	Industry Standard	List Price	Catalog No.	Panel Height (E)	Panel Width (F)	List Price
SCE-6044CHNFSS6	6.13	4.00	4.00	IS6	211.74	SCE-6P4	5.00	3.00	3.01
SCE-606CHNFSS6	6.13	6.00	4.00	IS6	241.06	SCE-6P6	5.00	5.00	3.61
SCE-8064CHNFSS6	8.13	6.00	4.00	IS6	263.88	SCE-8P6	7.00	5.00	4.17
SCE-1008CHNFSS6	10.13	8.00	4.00	IS6	389.42	SCE-10P8	9.00	7.00	5.70
SCE-10086CHNFSS6	10.13	8.00	6.00	IS6	425.88	SCE-10P8	9.00	7.00	5.70
SCE-12106CHNFSS6	12.13	10.00	6.00	IS6	457.71	SCE-12P10	11.00	9.00	7.72
SCE-12108CHNFSS6	12.13	10.00	8.00	IS6	526.12	SCE-12P10	11.00	9.00	7.72
SCE-1212CHNFSS6	12.13	12.00	6.00	IS6	504.94	SCE-12P12	11.00	11.00	9.08
SCE-1412CHNFSS6	14.13	12.00	6.00	IS6	552.19	SCE-14P12	13.00	11.00	10.13
SCE-1614CHNFSS6	16.13	14.00	6.00	IS6	658.05	SCE-16P14	15.00	13.00	19.95
SCE-16148CHNFSS6	16.13	14.00	8.00	IS6	680.46	SCE-16P14	15.00	13.00	19.95

Phone (989) 799-6871  
 Fax (989) 799-4524



# STAINLESS STEEL CONTINUOUS HINGE ENCLOSURES

## TECHNICAL DATA



### NOTE:

SUB-PANEL MUST BE ORDERED SEPARATELY.

### CLAMPING NOTE:

ENCLOSURES < 10.00 [254] IN HEIGHT REQUIRE ONE CLAMP CENTERED VERTICALLY ON DOOR.

## Stainless Steel Enviroline® Series Wall-Mount Enclosures with 3-Point Hardware

### Application -

Designed to house electrical and electronic controls, instrumentation and components in indoor or outdoor locations. For outdoor applications a drip shield is recommended. For installation information, consult our Installation Manual at www.saginawcontrol.com.

### Construction -

- 0.075" stainless steel Type 304 & 316/316L.
- Seams continuously welded and ground smooth.
- Flange trough collar around all sides of door opening.
- Collar studs provided for mounting optional sub-panels.
- Mounting holes in back of the enclosure for wall mounting.
- Mounting hardware, sealing washers and hole plugs included.
- Stainless steel concealed hinges.
- Removable and interchangeable doors.
- Black zinc die cast keylocking/padlocking handles.
- 3-point latching mechanism.
- Black quarter turn latches as required.
- Removable print pocket.
- Oil and water resistant gasket.
- Ground stud on door and body.

### Finish -

#4 brushed finish on all exterior surfaces. Optional sub-panels powder coated white.

### IS6 - Industry Standards -

NEMA Type 3R, 4, 4X, 12 & Type 13  
 UL Listed Type 3R, 4, 4X & 12  
 CSA Type 3R, 4, 4X & 12  
 IEC 60529 IP66

\*\*\*Special Instructions apply for IS3, IS4 and IS6 to maintain the environmental rating of Type 3R for these parts. See the Special Instructions on the Industry Standards page in the Technical Information Section.

## 304 STAINLESS STEEL ENVIROLINE® SERIES WALL-MOUNT ENCLOSURES WITH 3-POINT HARDWARE

ENCLOSURE PRODUCT CODE S9						SUB-PANEL (P3)			
Catalog No.	Height (A)	Width (B)	Depth (C)	Industry Standard	List Price	Catalog No.	Panel Height (E)	Panel Width (F)	List Price
SCE-24EL2010SSLPPL	24.00	20.00	10.00	IS6	1,119.15	SCE-24P20	21.00	17.00	45.57
SCE-24EL2410SSLPPL	24.00	24.00	10.00	IS6	1,218.22	SCE-24P24	21.00	21.00	53.18
SCE-30EL2412SSLPPL	30.00	24.00	12.00	IS6	1,454.07	SCE-30P24	27.00	21.00	63.29
SCE-30EL3012SSLPPL	30.00	30.00	12.00	IS6	1,630.53	SCE-30P30	27.00	27.00	83.55
SCE-36EL2412SSLPPL	36.00	24.00	12.00	IS6	1,611.48	SCE-36P24	33.00	21.00	75.96
SCE-36EL3012SSLPPL	36.00	30.00	12.00	IS6	1,829.72	SCE-36P30	33.00	27.00	101.27
SCE-36EL3612SSLPPL	36.00	36.00	12.00	IS6	2,059.70	SCE-36P30	33.00	27.00	101.27
SCE-42EL3612SSLPPL	42.00	36.00	12.00	IS6	2,227.75	SCE-42P36	39.00	33.00	136.72
SCE-48EL3612SSLPPL	48.00	36.00	12.00	IS6	2,458.17	SCE-48P36	45.00	33.00	154.46
SCE-48EL3616SSLPPL	48.00	36.00	16.00	IS6	2,681.29	SCE-48P36	45.00	33.00	154.46
SCE-60EL3612SSLPPL	60.00	36.00	12.00	IS6	2,881.32	SCE-60P36	57.00	33.00	189.89
SCE-60EL3616SSLPPL	60.00	36.00	16.00	IS6	3,108.87	SCE-60P36	57.00	33.00	189.89
SCE-60EL3624SSLPPL	60.00	36.00	24.00	IS6	3,716.74	SCE-60P36	57.00	33.00	189.89
SCE-72EL3624SSLPPL	72.00	36.00	24.00	IS6	4,517.69	SCE-72P36	69.00	33.00	225.33

## 316 STAINLESS STEEL ENVIROLINE® SERIES WALL-MOUNT ENCLOSURES WITH 3-POINT HARDWARE

ENCLOSURE PRODUCT CODE S7						SUB-PANEL (P3)			
Catalog No.	Height (A)	Width (B)	Depth (C)	Industry Standard	List Price	Catalog No.	Panel Height (E)	Panel Width (F)	List Price
SCE-24EL2010SS6LPPL	24.00	20.00	10.00	IS6	1,342.98	SCE-24P20	21.00	17.00	45.57
SCE-24EL2410SS6LPPL	24.00	24.00	10.00	IS6	1,461.86	SCE-24P24	21.00	21.00	53.18
SCE-30EL2412SS6LPPL	30.00	24.00	12.00	IS6	1,744.88	SCE-30P24	27.00	21.00	63.29
SCE-30EL3012SS6LPPL	30.00	30.00	12.00	IS6	1,956.64	SCE-30P30	27.00	27.00	83.55
SCE-36EL2412SS6LPPL	36.00	24.00	12.00	IS6	1,933.78	SCE-36P24	33.00	21.00	75.96
SCE-36EL3012SS6LPPL	36.00	30.00	12.00	IS6	2,195.66	SCE-36P30	33.00	27.00	101.27
SCE-42EL3612SS6LPPL	42.00	36.00	12.00	IS6	2,673.30	SCE-42P36	39.00	33.00	136.72
SCE-60EL3612SS6LPPL	60.00	36.00	12.00	IS6	3,457.58	SCE-60P36	57.00	33.00	189.89



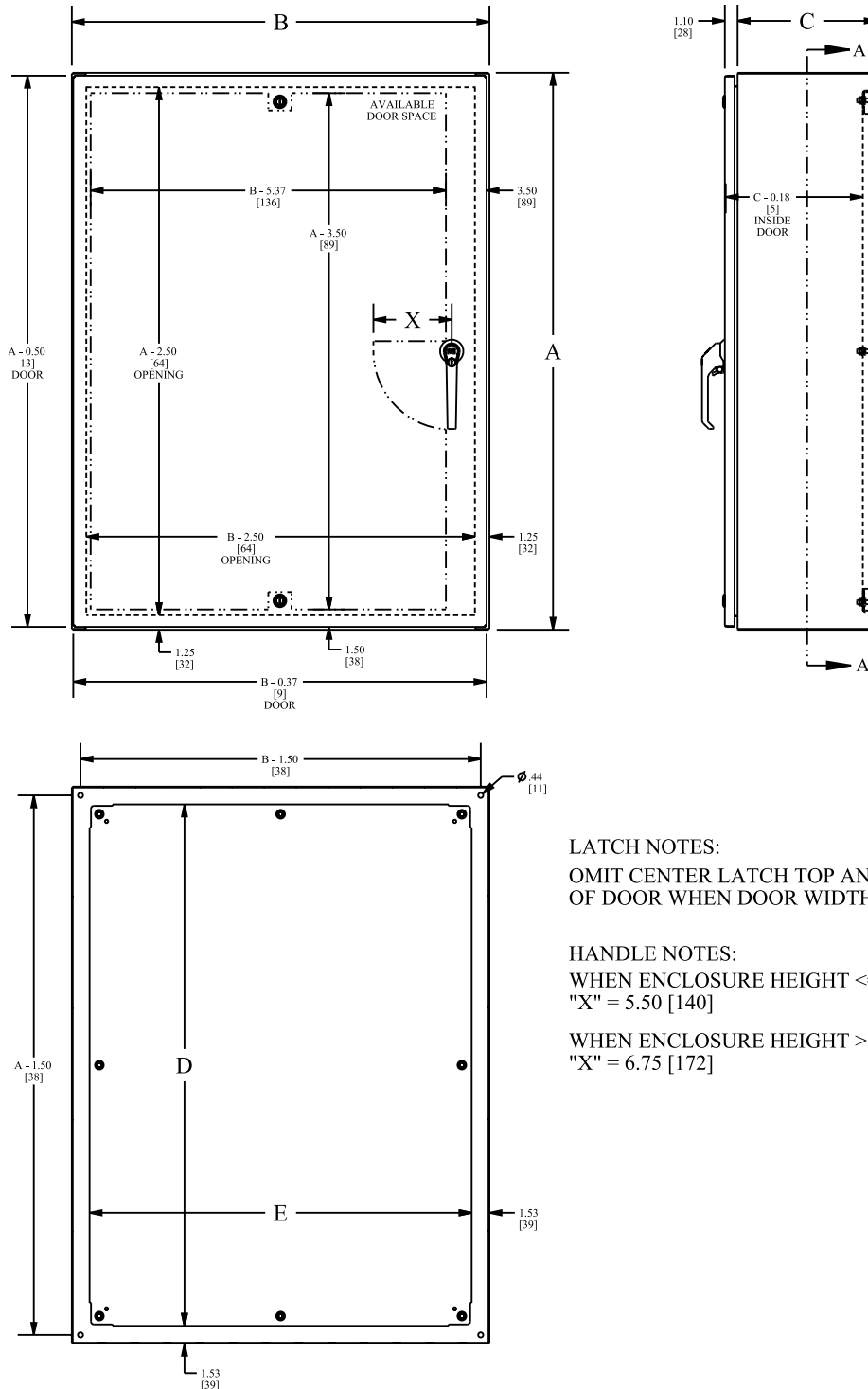
Phone (989) 799-6871  
 Fax (989) 799-4524





# STAINLESS STEEL ENVIROLINE® SERIES WALL-MOUNT ENCLOSURES WITH 3-POINT HARDWARE

## TECHNICAL DATA



LATCH NOTES:  
 OMIT CENTER LATCH TOP AND BOTTOM  
 OF DOOR WHEN DOOR WIDTH IS < 30.00 [762]

HANDLE NOTES:  
 WHEN ENCLOSURE HEIGHT ≤ 42.00 [1067]  
 "X" = 5.50 [140]

WHEN ENCLOSURE HEIGHT > 42.00 [1067]  
 "X" = 6.75 [172]



Phone (989) 799-6871  
 Fax (989) 799-4524

## 304 Stainless Steel Enviroline® Series Enclosures

### Application -

Designed to house electrical and electronic controls, instruments and components in areas which may be regularly hosed down or are in very wet conditions. Provides a degree of protection from dust, dirt, oil, and water. For outdoor application a drip shield is recommended. For installation information, consult our Installation Manual at [www.saginawcontrol.com](http://www.saginawcontrol.com).

### Construction -

- 0.075" stainless steel Type 304.
- Seams continuously welded and ground smooth.
- Flange trough collar around all sides of door opening.
- Oil-resistant gasket.
- Collar studs provided for mounting optional sub-panels.
- Stainless steel concealed hinges.
- Removable and interchangeable doors.
- Black quarter turn latches.
- Latches are opened or closed with a screwdriver (optional tamper-resistant inserts are available).
- Mounting holes in back of enclosure.
- Mounting hardware, sealing washers and hole plugs included.
- Removable print pocket furnished if height and width of enclosure is greater than 12".
- Ground studs on door and body.

### Options -

- Optional mounting feet available.
- Door hardware available.

### Finish -

#4 brushed finish on all exterior surfaces. Optional sub-panels powder coated white.

### IS6 - Industry Standards -

NEMA Type 3R, 4, 4X, 12 & Type 13  
 UL Listed Type 3R, 4, 4X & 12  
 CSA Type 3R, 4, 4X & 12  
 IEC 60529 IP66

\*\*\*Special Instructions apply for IS3, IS4 and IS6 to maintain the environmental rating of Type 3R for these parts. See the Special Instructions on the Industry Standards page in the Technical Information Section.

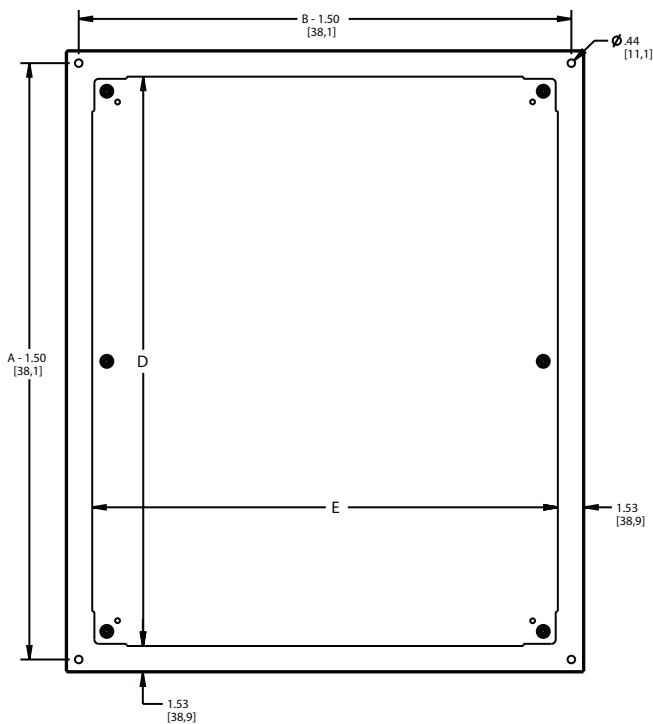
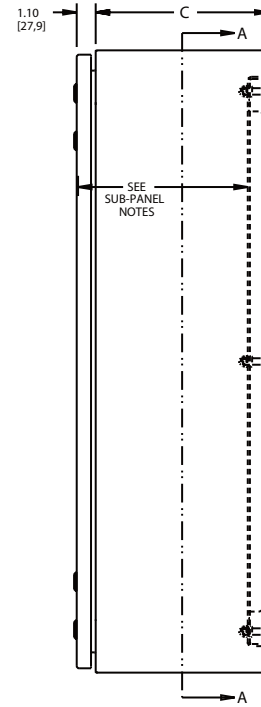
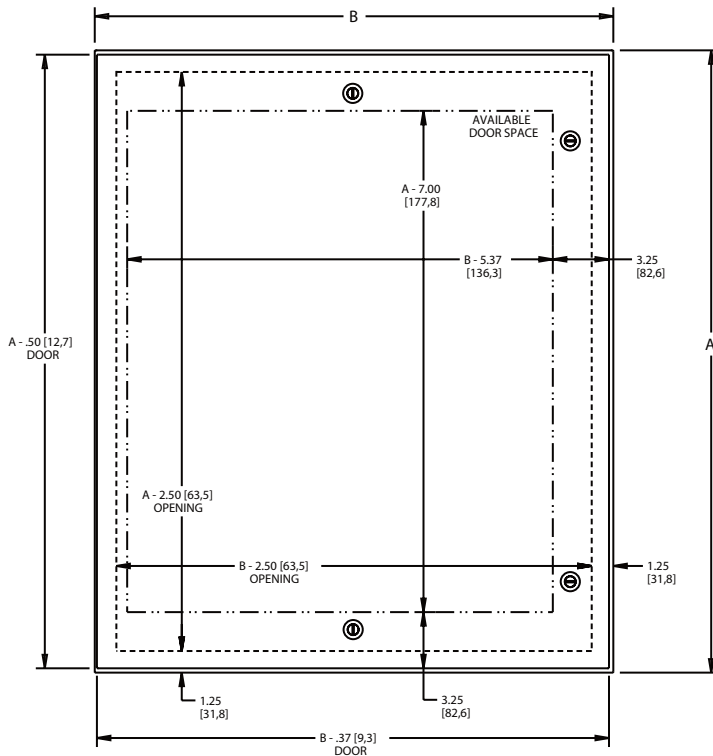


## 304 STAINLESS STEEL ENVIROLINE® SERIES ENCLOSURES

ENCLOSURE PRODUCT CODE S5							SUB-PANEL (P3)			
Catalog No.	Height (A)	Width (B)	Depth (C)	Industry Standard	List Price	Catalog No.	Panel Height (E)	Panel Width (F)	List Price	
SCE-12EL1206SSLP	12.00	12.00	6.00	IS6	536.16	SCE-12DLP12	9.00	9.00	13.67	
SCE-12EL2406SSLP	12.00	24.00	6.00	IS6	712.62	SCE-12P24	9.00	21.00	27.86	
SCE-16EL1206SSLP	16.00	12.00	6.00	IS6	590.45	SCE-16P12	13.00	9.00	14.81	
SCE-16EL1208SSLP	16.00	12.00	8.00	IS6	631.18	SCE-16P12	13.00	9.00	14.81	
SCE-16EL1606SSLP	16.00	16.00	6.00	IS6	654.26	SCE-16P16	13.00	13.00	24.57	
SCE-16EL1608SSLP	16.00	16.00	8.00	IS6	688.19	SCE-16P16	13.00	13.00	24.57	
SCE-16EL2008SSLP	16.00	20.00	8.00	IS6	770.98	SCE-20P16	17.00	13.00	30.37	
SCE-20EL1606SSLP	20.00	16.00	6.00	IS6	726.19	SCE-20P16	17.00	13.00	30.37	
SCE-20EL1608SSLP	20.00	16.00	8.00	IS6	770.98	SCE-20P16	17.00	13.00	30.37	
SCE-20EL1610SSLP	20.00	16.00	10.00	IS6	822.57	SCE-20P16	17.00	13.00	30.37	
SCE-20EL2006SSLP	20.00	20.00	6.00	IS6	794.06	SCE-20P20	17.00	17.00	35.44	
SCE-20EL2008SSLP	20.00	20.00	8.00	IS6	853.79	SCE-20P20	17.00	17.00	35.44	
SCE-20EL2010SSLP	20.00	20.00	10.00	IS6	909.44	SCE-20P20	17.00	17.00	35.44	
SCE-20EL2408SSLP	20.00	24.00	8.00	IS6	933.87	SCE-24P20	21.00	17.00	45.57	
SCE-24EL1608SSLP	24.00	16.00	8.00	IS6	840.20	SCE-24P16	21.00	13.00	32.92	
SCE-24EL2006SSLP	24.00	20.00	6.00	IS6	890.43	SCE-24P20	21.00	17.00	45.57	
SCE-24EL2008SSLP	24.00	20.00	8.00	IS6	933.87	SCE-24P20	21.00	17.00	45.57	
SCE-24EL2010SSLP	24.00	20.00	10.00	IS6	997.67	SCE-24P20	21.00	17.00	45.57	
SCE-24EL2012SSLP	24.00	20.00	12.00	IS6	1,058.74	SCE-24P20	21.00	17.00	45.57	
SCE-24EL2408SSLP	24.00	24.00	8.00	IS6	1,026.17	SCE-24P24	21.00	21.00	53.18	
SCE-24EL2410SSLP	24.00	24.00	10.00	IS6	1,096.74	SCE-24P24	21.00	21.00	53.18	
SCE-24EL2412SSLP	24.00	24.00	12.00	IS6	1,167.34	SCE-24P24	21.00	21.00	53.18	
SCE-24EL2416SSLP	24.00	24.00	16.00	IS6	1,323.43	SCE-24P24	21.00	21.00	53.18	
SCE-24EL3008SSLP	24.00	30.00	8.00	IS6	1,165.97	SCE-30P24	27.00	21.00	63.29	
SCE-24EL3010SSLP	24.00	30.00	10.00	IS6	1,254.20	SCE-30P24	27.00	21.00	63.29	
SCE-30EL1606SSLP	30.00	16.00	6.00	IS6	977.30	SCE-30P16	27.00	13.00	45.57	
SCE-30EL2008SSLP	30.00	20.00	8.00	IS6	1,058.74	SCE-30P20	27.00	17.00	55.70	
SCE-30EL2010SSLP	30.00	20.00	10.00	IS6	1,146.97	SCE-30P20	27.00	17.00	55.70	
SCE-30EL2408SSLP	30.00	24.00	8.00	IS6	1,167.34	SCE-30P24	27.00	21.00	63.29	
SCE-30EL2410SSLP	30.00	24.00	10.00	IS6	1,255.56	SCE-30P24	27.00	21.00	63.29	
SCE-30EL2412SSLP	30.00	24.00	12.00	IS6	1,330.21	SCE-30P24	27.00	21.00	63.29	
SCE-30EL2416SSLP	30.00	24.00	16.00	IS6	1,465.95	SCE-30P24	27.00	21.00	63.29	
SCE-30EL3008SSLP	30.00	30.00	8.00	IS6	1,337.00	SCE-30P30	27.00	27.00	83.55	
SCE-30EL3010SSLP	30.00	30.00	10.00	IS6	1,418.45	SCE-30P30	27.00	27.00	83.55	
SCE-30EL3012SSLP	30.00	30.00	12.00	IS6	1,506.67	SCE-30P30	27.00	27.00	83.55	
SCE-30EL3608SSLP	30.00	36.00	8.00	IS6	1,495.82	SCE-36P30	33.00	27.00	101.27	
SCE-36EL2408SSLP	36.00	24.00	8.00	IS6	1,316.64	SCE-36P24	33.00	21.00	75.96	
SCE-36EL2410SSLP	36.00	24.00	10.00	IS6	1,404.88	SCE-36P24	33.00	21.00	75.96	
SCE-36EL3008SSLP	36.00	30.00	8.00	IS6	1,495.82	SCE-36P30	33.00	27.00	101.27	
SCE-36EL3010SSLP	36.00	30.00	10.00	IS6	1,607.12	SCE-36P30	33.00	27.00	101.27	
SCE-36EL3012SSLP	36.00	30.00	12.00	IS6	1,703.48	SCE-36P30	33.00	27.00	101.27	
SCE-36EL3016SSLP	36.00	30.00	16.00	IS6	1,797.36	SCE-36P30	33.00	27.00	101.27	
SCE-36EL3608SSLP	36.00	36.00	8.00	IS6	1,723.86	SCE-36P36	33.00	33.00	118.99	
SCE-36EL3612SSLP	36.00	36.00	12.00	IS6	1,913.89	SCE-36P36	33.00	33.00	118.99	
SCE-42EL2410SSLP	42.00	24.00	10.00	IS6	1,628.84	SCE-42P24	39.00	21.00	91.14	
SCE-42EL3010SSLP	42.00	30.00	10.00	IS6	1,783.57	SCE-42P30	39.00	27.00	116.47	
SCE-42EL3012SSLP	42.00	30.00	12.00	IS6	1,913.57	SCE-42P30	39.00	27.00	116.47	
SCE-42EL3612SSLP	42.00	36.00	12.00	IS6	2,106.63	SCE-42P36	39.00	33.00	136.72	
SCE-42EL3616SSLP	42.00	36.00	16.00	IS6	2,236.93	SCE-42P36	39.00	33.00	136.72	
SCE-48EL3612SSLP	48.00	36.00	12.00	IS6	2,334.67	SCE-48P36	45.00	33.00	154.46	
SCE-48EL3616SSLP	48.00	36.00	16.00	IS6	2,545.05	SCE-48P36	45.00	33.00	154.46	
SCE-60EL3612SSLP	60.00	36.00	12.00	IS6	2,755.44	SCE-60P36	57.00	33.00	189.89	
SCE-60EL3616SSLP	60.00	36.00	16.00	IS6	2,972.63	SCE-60P36	57.00	33.00	189.89	
SCE-60EL3624SSLP	60.00	36.00	24.00	IS6	3,580.50	SCE-60P36	57.00	33.00	189.89	
SCE-72EL3016SSLP	72.00	30.00	16.00	IS6	3,189.81	SCE-72P30	69.00	27.00	210.15	
SCE-72EL3612SSLP	72.00	36.00	12.00	IS6	3,278.03	SCE-72P36	69.00	33.00	225.33	
SCE-72EL3616SSLP	72.00	36.00	16.00	IS6	3,461.27	SCE-72P36	69.00	33.00	225.33	

# STAINLESS STEEL ENVIROLINE® SERIES ENCLOSURES

## TECHNICAL DATA



SECTION A-A

**SUB-PANEL NOTES:**

Dimensions are from the inside of the door  
 C + 0.32 [8,1] for flat sub-panels  
 C - 0.18 [4,5] for bent sub-panels

**LATCH NOTES:**

Enclosures < 24.00" [609,6] in height require only one latch centered on door.  
 Enclosures >= 24.00" [609,6] and < 40.00" [1016] in height require two latches on door.  
 Enclosures >= 40.00" [1016] require three latches on door.  
 Omit center latch top and bottom of door when door width is <= 30.00" [762]



Phone (989) 799-6871  
 Fax (989) 799-4524

## 316 Stainless Steel Enviroline® Series Enclosures

### Application -

Designed to house electrical and electronic controls, instruments and components in areas which may be regularly hosed down or are in very wet conditions. Provides a degree of protection from dust, dirt, oil, and water. For outdoor application a drip shield is recommended. For installation information, consult our Installation Manual at [www.saginawcontrol.com](http://www.saginawcontrol.com).

### Construction -

- 0.075" stainless steel Type 304.
- Seams continuously welded and ground smooth.
- Flange trough collar around all sides of door opening.
- Oil-resistant gasket.
- Collar studs provided for mounting optional sub-panels.
- Stainless steel concealed hinges.
- Removable and interchangeable doors.
- Black quarter turn latches.
- Latches are opened or closed with a screwdriver (optional tamper-resistant inserts are available).
- Mounting holes in back of enclosure.
- Mounting hardware, sealing washers and hole plugs included.
- Removable print pocket furnished if height and width of enclosure is greater than 12".
- Ground studs on door and body.

### Options -

- Optional mounting feet available.
- Door hardware available.

### Finish -

#4 brushed finish on all exterior surfaces. Optional sub-panels powder coated white.

### IS6 - Industry Standards -

NEMA Type 3R, 4, 4X, 12 & Type 13  
UL Listed Type 3R, 4, 4X & 12  
CSA Type 3R, 4, 4X & 12  
IEC 60529 IP66

\*\*\*Special Instructions apply for IS3, IS4 and IS6 to maintain the environmental rating of Type 3R for these parts. See the Special Instructions on the Industry Standards page in the Technical Information Section.



## 316 STAINLESS STEEL ENVIROLINE® SERIES ENCLOSURES

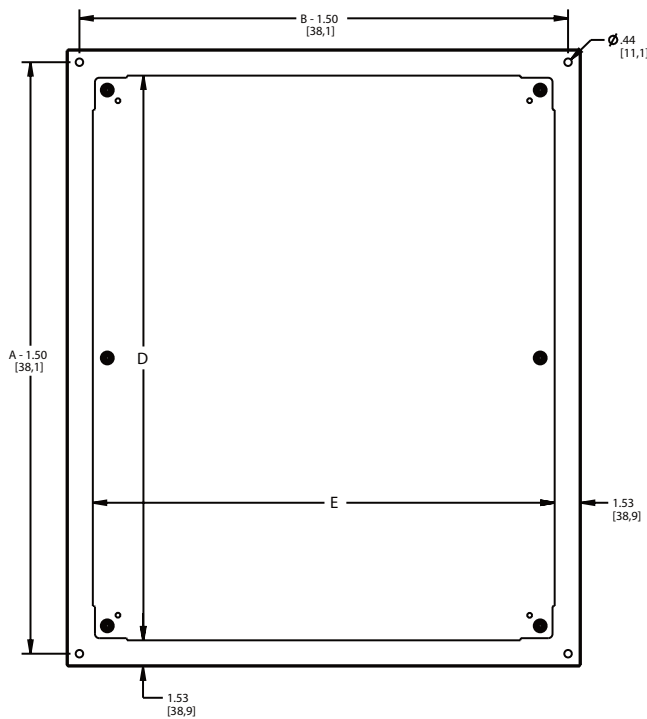
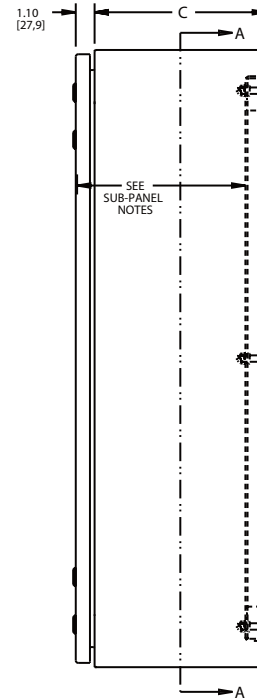
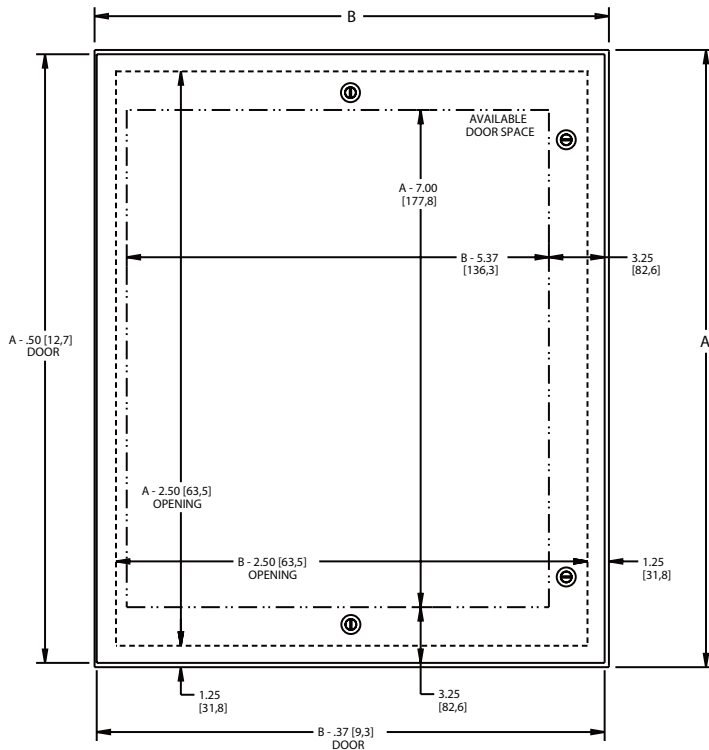
ENCLOSURE PRODUCT CODE S7						SUB-PANEL (P3)			
Catalog No.	Height (A)	Width (B)	Depth (C)	Industry Standard	List Price	Catalog No.	Panel Height (E)	Panel Width (F)	List Price
SCE-12EL1206SS6LP	12.00	12.00	6.00	IS6	643.39	SCE-12DLP12	9.00	9.00	13.67
SCE-12EL2406SS6LP	12.00	24.00	6.00	IS6	855.14	SCE-12P24	9.00	21.00	27.86
SCE-16EL1206SS6LP	16.00	12.00	6.00	IS6	708.54	SCE-16P12	13.00	9.00	14.81
SCE-16EL1208SS6LP	16.00	12.00	8.00	IS6	757.41	SCE-16P12	13.00	9.00	14.81
SCE-16EL1606SS6LP	16.00	16.00	6.00	IS6	785.11	SCE-16P16	13.00	13.00	24.57
SCE-16EL1608SS6LP	16.00	16.00	8.00	IS6	825.83	SCE-16P16	13.00	13.00	24.57
SCE-16EL2008SS6LP	16.00	20.00	8.00	IS6	925.17	SCE-20P16	17.00	13.00	30.37
SCE-20EL1606SS6LP	20.00	16.00	6.00	IS6	871.43	SCE-20P16	17.00	13.00	30.37
SCE-20EL1608SS6LP	20.00	16.00	8.00	IS6	925.17	SCE-20P16	17.00	13.00	30.37
SCE-20EL1610SS6LP	20.00	16.00	10.00	IS6	987.08	SCE-20P16	17.00	13.00	30.37
SCE-20EL2006SS6LP	20.00	20.00	6.00	IS6	952.88	SCE-20P20	17.00	17.00	35.44
SCE-20EL2008SS6LP	20.00	20.00	8.00	IS6	1,024.54	SCE-20P20	17.00	17.00	35.44
SCE-20EL2010SS6LP	20.00	20.00	10.00	IS6	1,091.33	SCE-20P20	17.00	17.00	35.44
SCE-20EL2408SS6LP	20.00	24.00	8.00	IS6	1,120.64	SCE-24P20	21.00	17.00	45.57
SCE-24EL1608SS6LP	24.00	16.00	8.00	IS6	1,008.25	SCE-24P16	21.00	13.00	32.92
SCE-24EL2006SS6LP	24.00	20.00	6.00	IS6	1,068.52	SCE-24P20	21.00	17.00	45.57
SCE-24EL2008SS6LP	24.00	20.00	8.00	IS6	1,120.64	SCE-24P20	21.00	17.00	45.57
SCE-24EL2010SS6LP	24.00	20.00	10.00	IS6	1,197.20	SCE-24P20	21.00	17.00	45.57
SCE-24EL2012SS6LP	24.00	20.00	12.00	IS6	1,270.49	SCE-24P20	21.00	17.00	45.57
SCE-24EL2408SS6LP	24.00	24.00	8.00	IS6	1,231.40	SCE-24P24	21.00	21.00	53.18
SCE-24EL2410SS6LP	24.00	24.00	10.00	IS6	1,316.08	SCE-24P24	21.00	21.00	53.18
SCE-24EL2412SS6LP	24.00	24.00	12.00	IS6	1,400.80	SCE-24P24	21.00	21.00	53.18
SCE-24EL2416SS6LP	24.00	24.00	16.00	IS6	1,588.12	SCE-24P24	21.00	21.00	53.18
SCE-24EL3008SS6LP	24.00	30.00	8.00	IS6	1,399.17	SCE-30P24	27.00	21.00	63.29
SCE-24EL3010SS6LP	24.00	30.00	10.00	IS6	1,505.04	SCE-30P24	27.00	21.00	63.29
SCE-30EL1606SS6LP	30.00	16.00	6.00	IS6	1,172.77	SCE-30P16	27.00	13.00	45.57
SCE-30EL2008SS6LP	30.00	20.00	8.00	IS6	1,270.49	SCE-30P20	27.00	17.00	55.70
SCE-30EL2010SS6LP	30.00	20.00	10.00	IS6	1,376.37	SCE-30P20	27.00	17.00	55.70
SCE-30EL2408SS6LP	30.00	24.00	8.00	IS6	1,400.80	SCE-30P24	27.00	21.00	63.29
SCE-30EL2410SS6LP	30.00	24.00	10.00	IS6	1,506.67	SCE-30P24	27.00	21.00	63.29
SCE-30EL2412SS6LP	30.00	24.00	12.00	IS6	1,596.26	SCE-30P24	27.00	21.00	63.29
SCE-30EL2416SS6LP	30.00	24.00	16.00	IS6	1,759.14	SCE-30P24	27.00	21.00	63.29
SCE-30EL3008SS6LP	30.00	30.00	8.00	IS6	1,604.41	SCE-30P30	27.00	27.00	83.55
SCE-30EL3010SS6LP	30.00	30.00	10.00	IS6	1,702.14	SCE-30P30	27.00	27.00	83.55
SCE-30EL3012SS6LP	30.00	30.00	12.00	IS6	1,808.01	SCE-30P30	27.00	27.00	83.55
SCE-30EL3608SS6LP	30.00	36.00	8.00	IS6	1,794.98	SCE-36P30	33.00	27.00	101.27
SCE-36EL2408SS6LP	36.00	24.00	8.00	IS6	1,579.97	SCE-36P24	33.00	21.00	75.96
SCE-36EL2410SS6LP	36.00	24.00	10.00	IS6	1,685.86	SCE-36P24	33.00	21.00	75.96
SCE-36EL3008SS6LP	36.00	30.00	8.00	IS6	1,794.98	SCE-36P30	33.00	27.00	101.27
SCE-36EL3010SS6LP	36.00	30.00	10.00	IS6	1,928.54	SCE-36P30	33.00	27.00	101.27
SCE-36EL3012SS6LP	36.00	30.00	12.00	IS6	2,044.18	SCE-36P30	33.00	27.00	101.27
SCE-36EL3608SS6LP	36.00	36.00	8.00	IS6	2,068.63	SCE-36P36	33.00	33.00	118.99
SCE-36EL3612SS6LP	36.00	36.00	12.00	IS6	2,296.66	SCE-36P36	33.00	33.00	118.99
SCE-42EL2410SS6LP	42.00	24.00	10.00	IS6	1,954.61	SCE-42P24	39.00	21.00	91.14
SCE-42EL3010SS6LP	42.00	30.00	10.00	IS6	2,140.28	SCE-42P30	39.00	27.00	116.47
SCE-42EL3612SS6LP	42.00	36.00	12.00	IS6	2,527.96	SCE-42P36	39.00	33.00	136.72
SCE-42EL3616SS6LP	42.00	36.00	16.00	IS6	2,684.32	SCE-42P36	39.00	33.00	136.72
SCE-48EL3612SS6LP	48.00	36.00	12.00	IS6	2,801.61	SCE-48P36	45.00	33.00	154.46
SCE-48EL3616SS6LP	48.00	36.00	16.00	IS6	3,054.06	SCE-48P36	45.00	33.00	154.46
SCE-60EL3612SS6LP	60.00	36.00	12.00	IS6	3,306.53	SCE-60P36	57.00	33.00	189.89
SCE-60EL3616SS6LP	60.00	36.00	16.00	IS6	3,567.15	SCE-60P36	57.00	33.00	189.89
SCE-72EL3016SS6LP	72.00	30.00	16.00	IS6	3,827.77	SCE-72P30	69.00	27.00	210.15
SCE-72EL3612SS6LP	72.00	36.00	12.00	IS6	3,933.64	SCE-72P36	69.00	33.00	225.33
SCE-72EL3616SS6LP	72.00	36.00	16.00	IS6	4,153.63	SCE-72P36	69.00	33.00	225.33

1 Operator System Enclosures  
2 Wall-Mount Enclosures  
3 Free-Standing & Floor-Mounted Enclosures  
4 Modular Enclosures  
5 Operator System Enclosures (Stainless Steel)  
6 Wall-Mount Enclosures (Stainless Steel)  
7 Free-Standing & Floor-Mounted Enclosures (Stainless Steel)  
8 Non-Metallic Enclosures  
9 Accessories  
10 Technical Information  
11 Index



# STAINLESS STEEL ENVIROLINE® SERIES ENCLOSURES

## TECHNICAL DATA



SECTION A-A

**SUB-PANEL NOTES:**  
 Dimensions are from the inside of the door  
 C + 0.32 [8,1] for flat sub-panels  
 C - 0.18 [4,5] for bent sub-panels

**LATCH NOTES:**  
 Enclosures < 24.00" [609,6] in height require only one latch centered on door.  
 Enclosures >= 24.00" [609,6] and < 40.00" [1016] in height require two latches on door.  
 Enclosures >= 40.00" [1016] require three latches on door.  
 Omit center latch top and bottom of door when door width is <= 30.00" [762]



Phone (989) 799-6871  
 Fax (989) 799-4524

## Stainless Steel Enviroline® Series Wall-Mount Sloping Top Enclosures

### Application -

Designed to house electrical and electronic controls, instrumentation and components in indoor, outdoor and sanitary locations. For installation information, consult our Installation Manual at [www.saginawcontrol.com](http://www.saginawcontrol.com).

### Construction -

- 0.075" stainless steel Type 304.
- Seams continuously welded and ground smooth.
- Flange trough collar around all sides of door opening.
- 15 Degree Sloping Top.
- Collar studs provided for mounting optional sub-panels.
- Mounting holes in back of the enclosure for wall mounting.
- Mounting hardware, sealing washers and hole plugs included.
- Stainless steel concealed hinges.
- Removable and interchangeable doors.
- Black quarter turn latches.
- Latches are opened or closed with a screwdriver (optional tamper resistant latches are available).
- Removable print pocket furnished on enclosures with width greater than 12".
- Oil & water resistant gasket.
- Ground stud on door and body.

### Finish -

# 4 Brushed finish on all exterior surfaces. Optional sub-panels powder coated white.

### Options -

Wall-Mount Standoffs available under Mounting Options in the Accessories Section.

### IS6 - Industry Standards -

NEMA Type 3R, 4, 4X, 12 & Type 13  
 UL Listed Type 3R, 4, 4X & 12  
 CSA Type 3R, 4, 4X & 12  
 IEC 60529 IP66

\*\*\*Special Instructions apply for IS3, IS4 and IS6 to maintain the environmental rating of Type 3R for these parts. See the Special Instructions on the Industry Standards page in the Technical Information Section.

## STAINLESS STEEL ENVIROLINE® SERIES WALL-MOUNT SLOPING TOP ENCLOSURES

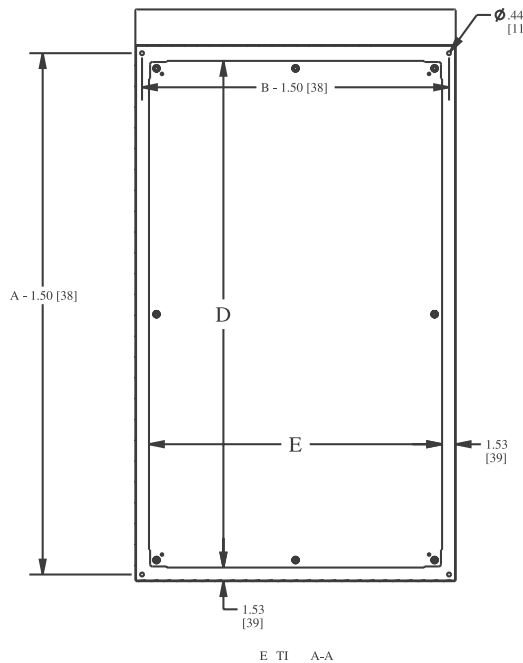
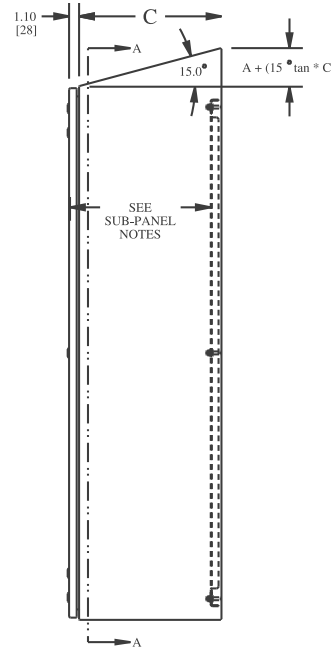
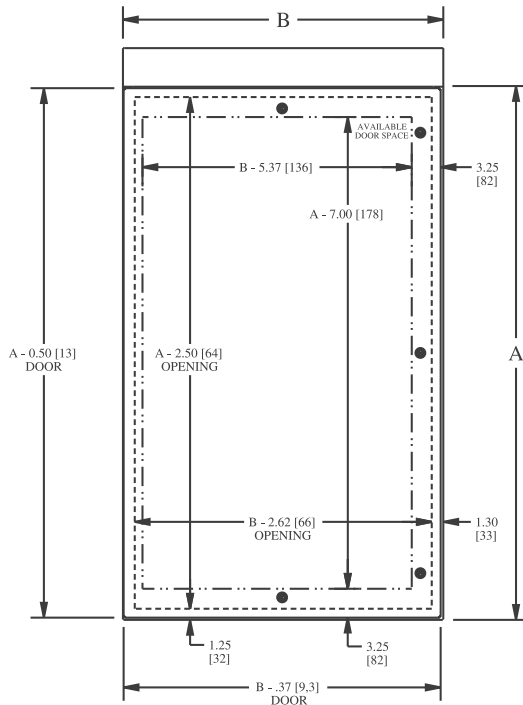
ENCLOSURE PRODUCT CODE S8						SUB-PANEL (P3)			
Catalog No.	Height (A)	Width (B)	Depth (C)	Industry Standard	List Price	Catalog No.	Panel Height (E)	Panel Width (F)	List Price
SCE-16EL1208SSST	16.00	12.00	8.00	IS6	883.65	SCE-16P12	13.00	9.00	14.81
SCE-16EL1608SSST	16.00	16.00	8.00	IS6	963.47	SCE-16P16	13.00	13.00	24.57
SCE-20EL1608SSST	20.00	16.00	8.00	IS6	1,079.37	SCE-20P16	17.00	13.00	30.37
SCE-20EL1612SSST	20.00	16.00	12.00	IS6	1,210.13	SCE-20P16	17.00	13.00	30.37
SCE-20EL2008SSST	20.00	20.00	8.00	IS6	1,195.31	SCE-20P20	17.00	17.00	35.44
SCE-20EL2012SSST	20.00	20.00	12.00	IS6	1,343.69	SCE-20P20	17.00	17.00	35.44
SCE-24EL2008SSST	24.00	20.00	8.00	IS6	1,307.56	SCE-24P20	21.00	17.00	45.57
SCE-24EL2012SSST	24.00	20.00	12.00	IS6	1,482.24	SCE-24P20	21.00	17.00	45.57
SCE-24EL2408SSST	24.00	24.00	8.00	IS6	1,436.64	SCE-24P24	21.00	21.00	53.18
SCE-24EL2412SSST	24.00	24.00	12.00	IS6	1,634.28	SCE-24P24	21.00	21.00	53.18
SCE-24EL2416SSST	24.00	24.00	16.00	IS6	2,179.04	SCE-24P24	21.00	21.00	53.18
SCE-30EL2408SSST	30.00	24.00	8.00	IS6	1,634.28	SCE-30P24	27.00	21.00	63.29
SCE-30EL2412SSST	30.00	24.00	12.00	IS6	1,862.29	SCE-30P24	27.00	21.00	63.29
SCE-30EL3008SSST	30.00	30.00	8.00	IS6	1,871.80	SCE-30P30	27.00	27.00	83.55
SCE-30EL3012SSST	30.00	30.00	12.00	IS6	2,327.86	SCE-30P30	27.00	27.00	83.55
SCE-36EL2408SSST	36.00	24.00	8.00	IS6	1,843.30	SCE-36P24	33.00	21.00	75.96
SCE-36EL2412SSST	36.00	24.00	12.00	IS6	2,072.73	SCE-36P24	33.00	21.00	75.96
SCE-36EL3008SSST	36.00	30.00	8.00	IS6	2,094.15	SCE-36P30	33.00	27.00	101.27
SCE-36EL3012SSST	36.00	30.00	12.00	IS6	2,384.87	SCE-36P30	33.00	27.00	101.27
SCE-36EL3016SSST	36.00	30.00	16.00	IS6	2,528.04	SCE-36P30	33.00	27.00	101.27
SCE-36EL3612SSST	36.00	36.00	12.00	IS6	2,435.89	SCE-36P36	33.00	33.00	118.99
SCE-48EL3612SSST	48.00	36.00	12.00	IS5	3,485.65	SCE-48P36	45.00	33.00	154.46
SCE-48EL3616SSST	48.00	36.00	16.00	IS6	3,563.07	SCE-48P36	45.00	33.00	154.46
SCE-60EL3616SSST	60.00	36.00	16.00	IS6	4,162.10	SCE-60P36	57.00	33.00	189.89



Phone (989) 799-6871  
 Fax (989) 799-4524



# STAINLESS STEEL ENVIROLINE® SERIES WALL-MOUNT SLOPING TOP ENCLOSURES TECHNICAL DATA



**SUB-PANEL NOTES:**  
 Dimensions are from the inside of the door  
 C = 0.32 [x,1] for flat sub-panels  
 C - 0.18 [4,5] for bent sub-panels

**LATCH NOTES:**  
 Enclosures < 24.00" [609,6] in height require only one latch centered on door.  
 Enclosures >= 24.00" [609,6] and < 40.00" [1016] in height require two latches on door.  
 Enclosures >= 40.00" [1016] require three latches on door.  
 Omit center latch top and bottom of door when door width is <= 30.00" [762]



Phone (989) 799-6871  
 Fax (989) 799-4524

- 1 Operator System Enclosures
- 2 Wall-Mount Enclosures
- 3 Free-Standing & Floor-Mounted Enclosures
- 4 Modular Enclosures
- 5 Operator System Enclosures (Stainless Steel)
- 6 Wall-Mount Enclosures (Stainless Steel)
- 7 Free-Standing & Floor-Mounted Enclosures (Stainless Steel)
- 8 Non-Metallic Enclosures
- 9 Accessories
- 10 Technical Information
- 11 Index

## 304 Stainless Steel Clamp Fastened Single-Door Enclosures

### Application -

Designed to house electrical and electronic controls, instruments and components in areas which may be regularly hosed down or are in very wet conditions. Provides a degree of protection from dust, dirt, oil and water. For outdoor application a drip shield is recommended. For installation information, consult our Installation Manual at [www.saginawcontrol.com](http://www.saginawcontrol.com).

### Construction -

- 0.075" stainless steel Type 304.
- No holes or knockouts, continuously welded seams ground smooth.
- Flange trough collar around all sides of door opening.
- Oil-resistant door gasket.
- Collar studs provided for mounting optional sub-panels.
- Hasp and staple for padlocking.
- Stainless steel continuous hinge.
- Removable print pocket furnished if height and width of enclosure is greater than 12".
- Ground stud on door and body.
- Stainless steel door clamps.
- Welded mounting provision top and bottom of back.

### Finish -

#4 brushed finish on all exterior surfaces. Optional panels are powder coated white.

### IS6 - Industry Standards -

NEMA Type 3R, 4, 4X, 12 & Type 13  
 UL Listed Type 3R, 4, 4X & 12  
 CSA Type 3R, 4, 4X & 12  
 IEC 60529 IP66

\*\*\*Special Instructions apply for IS3, IS4 and IS6 to maintain the environmental rating of Type 3R for these parts. See the Special Instructions on the Industry Standards page in the Technical Information Section.

## 304 STAINLESS STEEL CLAMP FASTENED SINGLE-DOOR ENCLOSURES

ENCLOSURE PRODUCT CODE S3						SUB-PANEL (P3)			
Catalog No.	Height (A)	Width (B)	Depth (C)	Industry Standard	List Price	Catalog No.	Panel Height (E)	Panel Width (F)	List Price
SCE-16H1206SSLP	16.00	12.00	6.00	IS6	627.11	SCE-16P12	13.00	9.00	14.81
SCE-16H1208SSLP	16.00	12.00	8.00	IS6	671.90	SCE-16P12	13.00	9.00	14.81
SCE-16H1606SSLP	16.00	16.00	6.00	IS6	696.32	SCE-16P16	13.00	13.00	24.57
SCE-16H2006SSLP	16.00	20.00	6.00	IS6	765.54	SCE-20P16	17.00	13.00	30.37
SCE-20H1606SSLP	20.00	16.00	6.00	IS6	765.54	SCE-20P16	17.00	13.00	30.37
SCE-20H1608SSLP	20.00	16.00	8.00	IS6	819.84	SCE-20P16	17.00	13.00	30.37
SCE-20H1610SSLP	20.00	16.00	10.00	IS6	875.50	SCE-20P16	17.00	13.00	30.37
SCE-20H2006SSLP	20.00	20.00	6.00	IS6	844.28	SCE-20P20	17.00	17.00	35.44
SCE-20H2408SSLP	20.00	24.00	8.00	IS6	990.88	SCE-24P20	21.00	17.00	45.57
SCE-24H1608SSLP	24.00	16.00	8.00	IS6	891.79	SCE-24P16	21.00	13.00	32.92
SCE-24H2006SSLP	24.00	20.00	6.00	IS6	924.36	SCE-24P20	21.00	17.00	45.57
SCE-24H2008SSLP	24.00	20.00	8.00	IS6	990.88	SCE-24P20	21.00	17.00	45.57
SCE-24H2010SSLP	24.00	20.00	10.00	IS6	1,058.74	SCE-24P20	21.00	17.00	45.57
SCE-24H2406SSLP	24.00	24.00	6.00	IS6	950.00	SCE-24P24	21.00	21.00	53.18
SCE-24H2408SSLP	24.00	24.00	8.00	IS6	1,089.96	SCE-24P24	21.00	21.00	53.18
SCE-24H2412SSLP	24.00	24.00	12.00	IS6	1,237.92	SCE-24P24	21.00	21.00	53.18
SCE-24H3008SSLP	24.00	30.00	8.00	IS6	1,237.92	SCE-30P24	27.00	21.00	63.29
SCE-30H2008SSLP	30.00	20.00	8.00	IS6	1,121.18	SCE-30P20	27.00	17.00	55.70
SCE-30H2408SSLP	30.00	24.00	8.00	IS6	1,237.92	SCE-30P24	27.00	21.00	63.29
SCE-30H2412SSLP	30.00	24.00	12.00	IS6	1,403.51	SCE-30P24	27.00	21.00	63.29
SCE-30H2416SSLP	30.00	24.00	16.00	IS6	1,571.81	SCE-30P24	27.00	21.00	63.29
SCE-30H3008SSLP	30.00	30.00	8.00	IS6	1,414.38	SCE-30P30	27.00	27.00	83.55
SCE-36H2408SSLP	36.00	24.00	8.00	IS6	1,385.87	SCE-36P24	33.00	21.00	75.96
SCE-36H2410SSLP	36.00	24.00	10.00	IS6	1,479.52	SCE-36P24	33.00	21.00	75.96
SCE-36H3008SSLP	36.00	30.00	8.00	IS6	1,589.47	SCE-36P30	33.00	27.00	101.27
SCE-36H3010SSLP	36.00	30.00	10.00	IS6	1,691.28	SCE-36P30	33.00	27.00	101.27
SCE-36H3012SSLP	36.00	30.00	12.00	IS6	1,793.07	SCE-36P30	33.00	27.00	101.27
SCE-36H3016SSLP	36.00	30.00	16.00	IS6	1,995.33	SCE-36P30	33.00	27.00	101.27
SCE-36H3612SSLP	36.00	36.00	12.00	IS6	2,014.32	SCE-36P36	33.00	33.00	118.99
SCE-42H3010SSLP	42.00	30.00	10.00	IS6	1,875.88	SCE-42P30	39.00	27.00	116.47
SCE-42H3608SSLP	42.00	36.00	8.00	IS6	1,995.33	SCE-42P36	39.00	33.00	136.72
SCE-48H3608SSLP	48.00	36.00	8.00	IS6	2,198.93	SCE-48P36	45.00	33.00	154.46
SCE-48H3610SSLP	48.00	36.00	10.00	IS6	2,440.71	SCE-48P36	45.00	33.00	154.46
SCE-48H3612SSLP	48.00	36.00	12.00	IS6	2,456.83	SCE-48P36	45.00	33.00	154.46
SCE-48H3616SSLP	48.00	36.00	16.00	IS6	2,716.09	SCE-48P36	45.00	33.00	154.46
SCE-60H3612SSLP	60.00	36.00	12.00	IS6	2,900.69	SCE-60P36	57.00	33.00	189.89

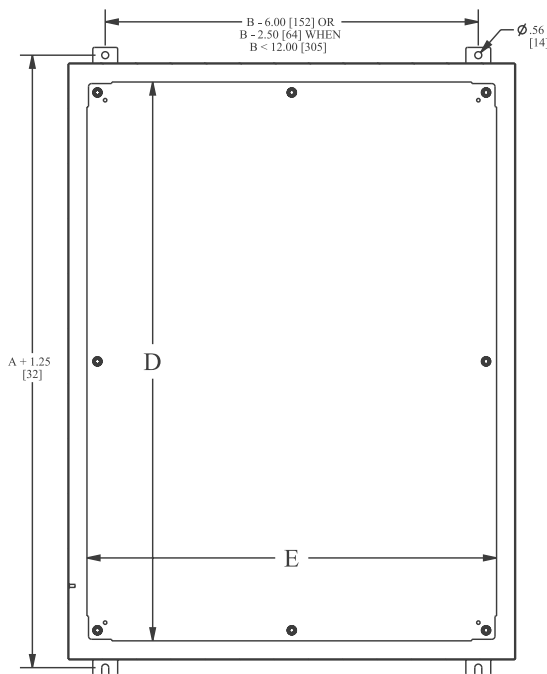
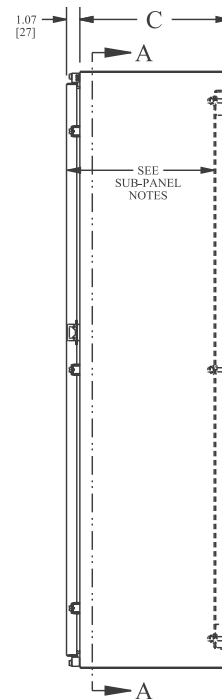
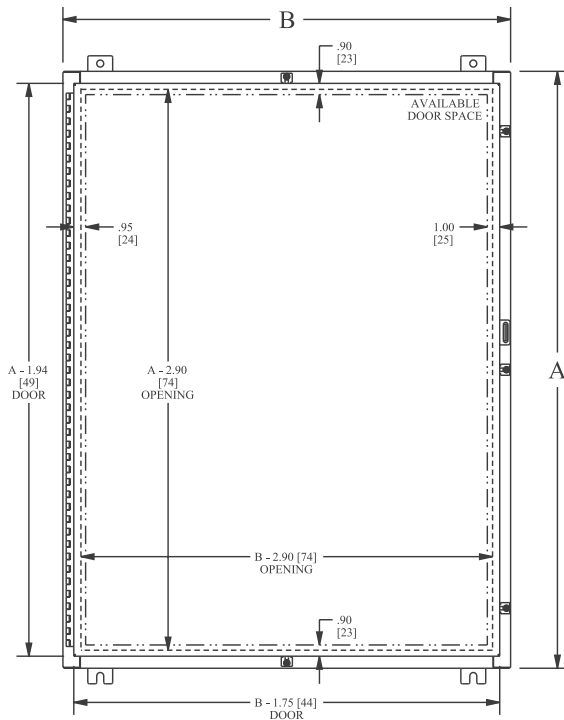


Phone (989) 799-6871  
 Fax (989) 799-4524



# STAINLESS STEEL CLAMP FASTENED SINGLE-DOOR ENCLOSURES

## TECHNICAL DATA



SECTION A-A

**SUB-PANEL NOTES:**

Dimensions are from the inside of the door  
 C + .30 [8] for flat sub-panels  
 C - .20 [5] for bent sub-panels

**CLAMPING NOTES:**

Enclosures < 27.00 [686] in height require two clamps on door.  
 Enclosures >= 27.00 [686] in height require three clamps on door.  
 Omit center clamps top and bottom of door when door width is <= 30.00 [762]



Phone (989) 799-6871  
 Fax (989) 799-4524



## 316 Stainless Steel Clamp Fastened Single-Door Enclosures

### Application -

Designed to house electrical and electronic controls, instruments and components in areas which may be regularly hosed down or are in very wet conditions. Provides a degree of protection from dust, dirt, oil and water. For outdoor application a drip shield is recommended. For installation information, consult our Installation Manual at www.saginawcontrol.com.

### Construction -

- 0.075" stainless steel Type 316/316L.
- No holes or knockouts, continuously welded seams ground smooth.
- Flange trough collar around all sides of door opening.
- Oil-resistant door gasket.
- Collar studs provided for mounting optional sub-panels.
- Hasp and staple for padlocking.
- Stainless steel continuous hinge.
- Removable print pocket furnished if height and width of enclosure is greater than 12".
- Ground stud on door and body.
- Stainless steel door clamps.
- Welded mounting provision top and bottom of back.

### Finish -

#4 brushed finish on all exterior surfaces. Optional panels are powder coated white.

### IS6 - Industry Standards -

NEMA Type 3R, 4, 4X, 12 & Type 13  
UL Listed Type 3R, 4, 4X & 12  
CSA Type 3R, 4, 4X & 12  
IEC 60529 IP66

\*\*\*Special Instructions apply for IS3, IS4 and IS6 to maintain the environmental rating of Type 3R for these parts. See the Special Instructions on the Industry Standards page in the Technical Information Section.

## 316 STAINLESS STEEL CLAMP FASTENED SINGLE-DOOR ENCLOSURES

ENCLOSURE PRODUCT CODE S7						SUB-PANEL (P3)			
Catalog No.	Height (A)	Width (B)	Depth (C)	Industry Standard	List Price	Catalog No.	Panel Height (E)	Panel Width (F)	List Price
SCE-16H1206SS6LP	16.00	12.00	6.00	IS6	752.53	SCE-16P12	13.00	9.00	14.81
SCE-16H1208SS6LP	16.00	12.00	8.00	IS6	806.28	SCE-16P12	13.00	9.00	14.81
SCE-16H1606SS6LP	16.00	16.00	6.00	IS6	835.59	SCE-16P16	13.00	13.00	24.57
SCE-16H2006SS6LP	16.00	20.00	6.00	IS6	918.65	SCE-20P16	17.00	13.00	30.37
SCE-20H1606SS6LP	20.00	16.00	6.00	IS6	918.65	SCE-20P16	17.00	13.00	30.37
SCE-20H1608SS6LP	20.00	16.00	8.00	IS6	983.81	SCE-20P16	17.00	13.00	30.37
SCE-20H1610SS6LP	20.00	16.00	10.00	IS6	1,050.60	SCE-20P16	17.00	13.00	30.37
SCE-20H2006SS6LP	20.00	20.00	6.00	IS6	1,013.14	SCE-20P20	17.00	17.00	35.44
SCE-20H2408SS6LP	20.00	24.00	8.00	IS6	1,189.05	SCE-24P20	21.00	17.00	45.57
SCE-24H1608SS6LP	24.00	16.00	8.00	IS6	1,070.15	SCE-24P16	21.00	13.00	32.92
SCE-24H2006SS6LP	24.00	20.00	6.00	IS6	1,109.24	SCE-24P20	21.00	17.00	45.57
SCE-24H2008SS6LP	24.00	20.00	8.00	IS6	1,189.05	SCE-24P20	21.00	17.00	45.57
SCE-24H2010SS6LP	24.00	20.00	10.00	IS6	1,270.49	SCE-24P20	21.00	17.00	45.57
SCE-24H2408SS6LP	24.00	24.00	8.00	IS6	1,307.95	SCE-24P24	21.00	21.00	53.18
SCE-24H2412SS6LP	24.00	24.00	12.00	IS6	1,485.51	SCE-24P24	21.00	21.00	53.18
SCE-24H3008SS6LP	24.00	30.00	8.00	IS6	1,485.51	SCE-30P24	27.00	21.00	63.29
SCE-30H2008SS6LP	30.00	20.00	8.00	IS6	1,345.42	SCE-30P20	27.00	17.00	55.70
SCE-30H2408SS6LP	30.00	24.00	8.00	IS6	1,485.51	SCE-30P24	27.00	21.00	63.29
SCE-30H2412SS6LP	30.00	24.00	12.00	IS6	1,684.21	SCE-30P24	27.00	21.00	63.29
SCE-30H2416SS6LP	30.00	24.00	16.00	IS6	1,886.18	SCE-30P24	27.00	21.00	63.29
SCE-30H3008SS6LP	30.00	30.00	8.00	IS6	1,697.26	SCE-30P30	27.00	27.00	83.55
SCE-36H2408SS6LP	36.00	24.00	8.00	IS6	1,663.04	SCE-36P24	33.00	21.00	75.96
SCE-36H2410SS6LP	36.00	24.00	10.00	IS6	1,775.43	SCE-36P24	33.00	21.00	75.96
SCE-36H3008SS6LP	36.00	30.00	8.00	IS6	1,907.36	SCE-36P30	33.00	27.00	101.27
SCE-36H3010SS6LP	36.00	30.00	10.00	IS6	2,029.53	SCE-36P30	33.00	27.00	101.27
SCE-36H3012SS6LP	36.00	30.00	12.00	IS6	2,151.69	SCE-36P30	33.00	27.00	101.27
SCE-36H3016SS6LP	36.00	30.00	16.00	IS6	2,394.40	SCE-36P30	33.00	27.00	101.27
SCE-36H3612SS6LP	36.00	36.00	12.00	IS6	2,417.18	SCE-36P36	33.00	33.00	118.99
SCE-42H3010SS6LP	42.00	30.00	10.00	IS6	2,251.05	SCE-42P30	39.00	27.00	116.47
SCE-42H3608SS6LP	42.00	36.00	8.00	IS6	2,394.40	SCE-42P36	39.00	33.00	136.72
SCE-48H3608SS6LP	48.00	36.00	8.00	IS6	2,638.72	SCE-48P36	45.00	33.00	154.46
SCE-48H3612SS6LP	48.00	36.00	12.00	IS6	2,948.19	SCE-48P36	45.00	33.00	154.46
SCE-48H3616SS6LP	48.00	36.00	16.00	IS6	3,259.31	SCE-48P36	45.00	33.00	154.46
SCE-60H3612SS6LP	60.00	36.00	12.00	IS6	3,480.82	SCE-60P36	57.00	33.00	189.89

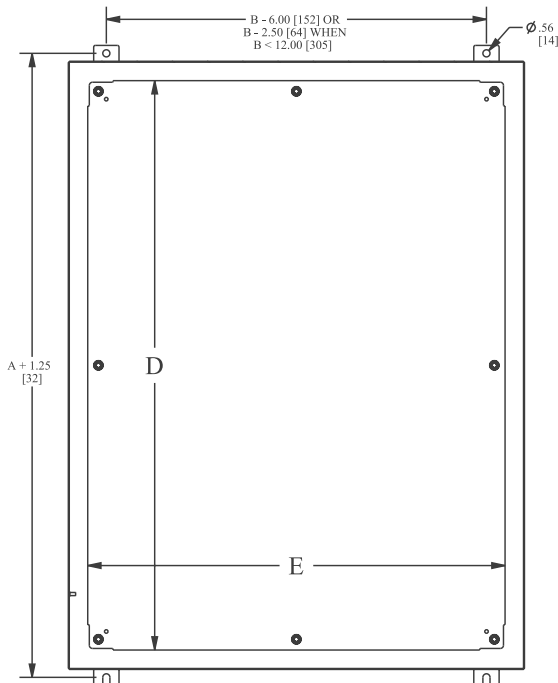
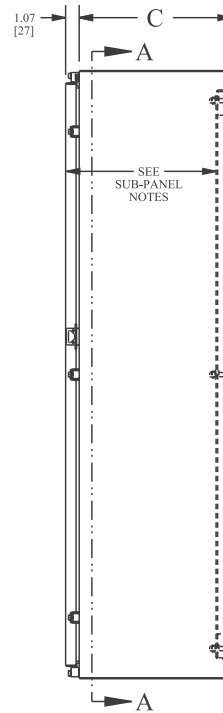
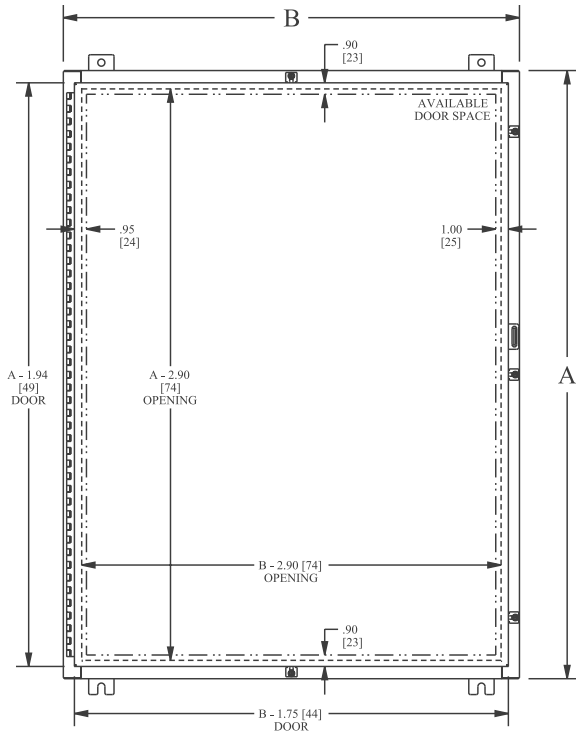


Phone (989) 799-6871  
Fax (989) 799-4524



1 Operator System Enclosures  
2 Wall-Mount Enclosures  
3 Free-Standing & Floor-Mounted Enclosures  
4 Modular Enclosures  
5 Operator System Enclosures (Stainless Steel)  
6 Wall-Mount Enclosures (Stainless Steel)  
7 Free-Standing & Floor-Mounted Enclosures (Stainless Steel)  
8 Non-Metallic Enclosures  
9 Accessories  
10 Technical Information  
11 Index

# STAINLESS STEEL CLAMP FASTENED SINGLE-DOOR ENCLOSURES TECHNICAL DATA



SECTION A-A

**SUB-PANEL NOTES:**  
 Dimensions are from the inside of the door  
 C + .30 [8] for flat sub-panels  
 C - .20 [5] for bent sub-panels

**CLAMPING NOTES:**  
 Enclosures < 27.00 [686] in height require two clamps on door.  
 Enclosures ≥ 27.00 [686] in height require three clamps on door.  
 Omit center clamps top and bottom of door when door width is ≤ 30.00 [762]



Phone (989) 799-6871  
 Fax (989) 799-4524

## Stainless Steel Enviroline® Series Wall-Mount Two-Door Enclosures With 3-Point Hardware

### Application -

Designed to house electrical and electronic controls, instrumentation and components. For outdoor applications a drip shield is recommended. For installation information, consult our Installation Manual at [www.saginawcontrol.com](http://www.saginawcontrol.com).

### Construction -

- 0.075" stainless steel Type 304.
- Seams continuously welded and ground smooth.
- Flange trough collar around all sides of door opening.
- Collar studs provided for mounting optional sub-panels.
- Removable center posts permit easy sub-panel installation.
- Mounting holes in back of the enclosure for wall mounting.
- Mounting hardware, sealing washers and hole plugs included.
- Stainless steel concealed hinges.
- Removable and interchangeable doors.
- Black keylocking padlocking handles.
- 3-point latching mechanism.
- Removable print pocket.
- Oil & water resistant gasket.
- Ground stud on door and body.

### Options -

Provisions for mechanical interlock. See accessory section to order.

### Finish -

#4 Brushed finish on all exterior surfaces. Optional sub-panels powder coated white.

### Notes -

Mechanical Interlock not for use in Enclosures 24" in height.

### IS6 - Industry Standards -

NEMA Type 3R, 4, 4X, 12 & Type 13  
 UL Listed Type 3R, 4, 4X & 12  
 CSA Type 3R, 4, 4X & 12  
 IEC 60529 IP66

\*\*\*Special Instructions apply for IS3, IS4 and IS6 to maintain the environmental rating of Type 3R for these parts. See the Special Instructions on the Industry Standards page in the Technical Information Section.

## STAINLESS STEEL ENVIROLINE® SERIES WALL-MOUNT TWO-DOOR ENCLOSURES WITH 3-POINT HARDWARE

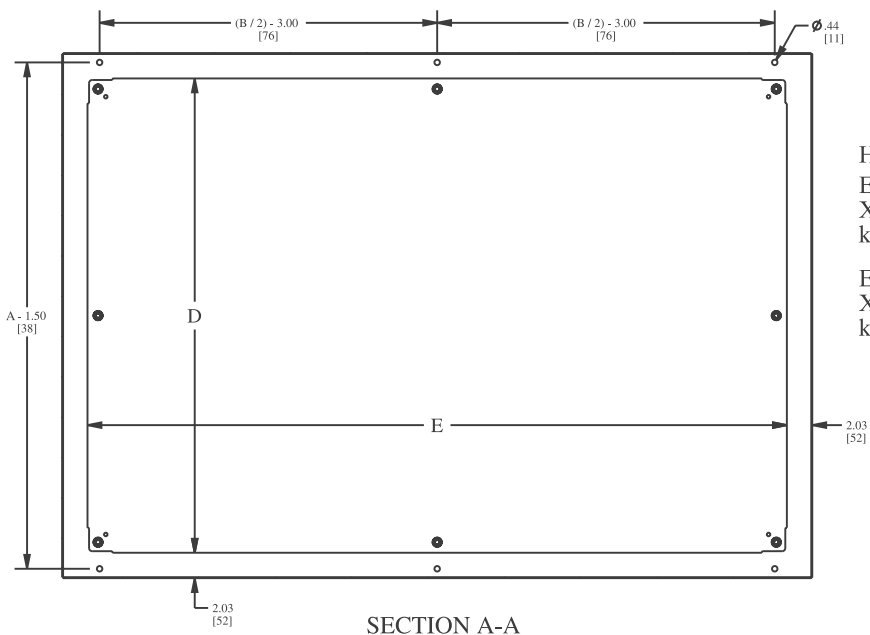
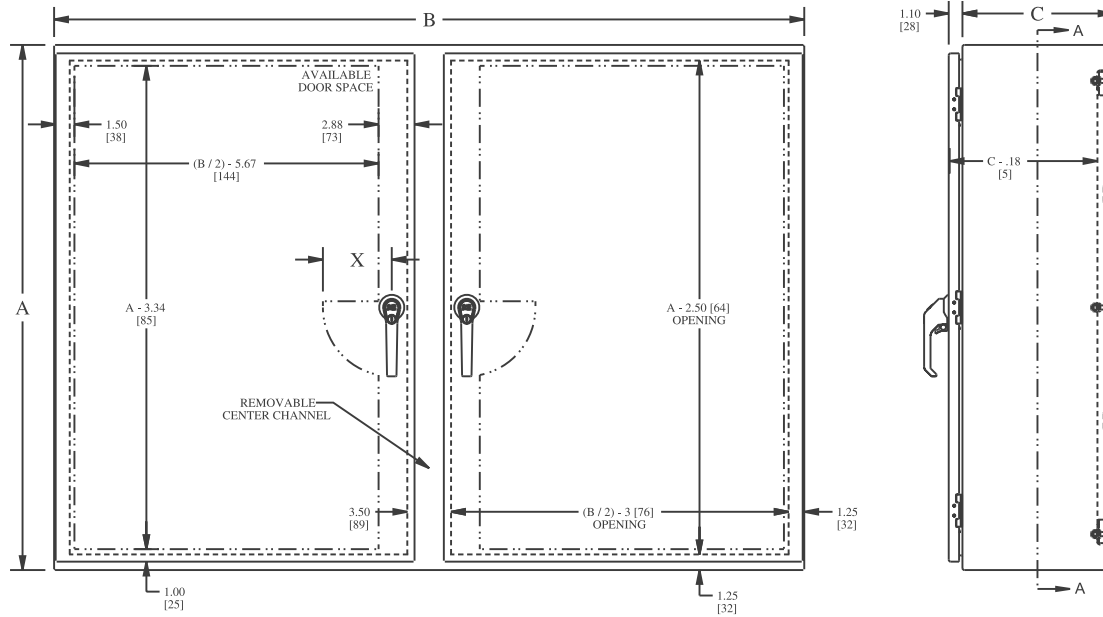
ENCLOSURE PRODUCT CODE S5						SUB-PANEL (P3)			
Catalog No.	Height (A)	Width (B)	Depth (C)	Industry Standard	List Price	Catalog No.	Panel Height (E)	Panel Width (F)	List Price
SCE-24EL4210SSWFLP	24.00	42.00	10.00	IS6	2,990.12	SCE-42P24	39.00	21.00	91.14
SCE-24EL4810SSWFLP	24.00	48.00	10.00	IS6	3,108.66	SCE-48P24	45.00	21.00	98.74
SCE-30EL4210SSWFLP	30.00	42.00	10.00	IS6	3,168.28	SCE-42P30	39.00	27.00	116.47
SCE-30EL4810SSWFLP	30.00	48.00	10.00	IS6	3,347.42	SCE-48P30	45.00	27.00	129.13
SCE-30EL6010SSWFLP	30.00	60.00	10.00	IS6	3,758.21	SCE-60P30	57.00	27.00	159.52
SCE-36EL4212SSWFLP	36.00	42.00	12.00	IS6	3,772.54	SCE-42P36	39.00	33.00	136.72
SCE-36EL4812SSWFLP	36.00	48.00	12.00	IS6	3,866.89	SCE-48P36	45.00	33.00	154.46
SCE-36EL6012SSWFLP	36.00	60.00	12.00	IS6	4,269.15	SCE-60P36	57.00	33.00	189.89
SCE-42EL4212SSWFLP	42.00	42.00	12.00	IS6	3,824.34	SCE-42P42	39.00	39.00	156.97
SCE-42EL4812SSWFLP	42.00	48.00	12.00	IS6	4,248.08	SCE-48P42	45.00	39.00	177.24
SCE-42EL6012SSWFALP	42.00	60.00	12.00	IS6	4,460.85	SCE-60BFP42	56.00	38.00	230.41
SCE-48EL4812SSWFLP	48.00	48.00	12.00	IS6	4,359.04	SCE-48P48	44.00	44.00	212.67



Phone (989) 799-6871  
 Fax (989) 799-4524



# STAINLESS STEEL ENVIROLINE® SERIES WALL-MOUNT TWO-DOOR ENCLOSURES WITH 3-POINT HARDWARE TECHNICAL DATA



**HANDLE NOTES:**

Enclosures  $\leq 42.00$  [1067] in height  
 $X = 5.50$  [140] and uses  $5.00$  [127]  
 key-locking/padlocking handle.

Enclosures  $> 42.00$  [1067] in height  
 $X = 6.75$  [171] and uses  $7.00$  [178]  
 key-locking/padlocking handle.



Phone (989) 799-6871  
 Fax (989) 799-4524

- 1 Operator System Enclosures
- 2 Wall-Mount Enclosures
- 3 Free-Standing & Floor-Mounted Enclosures
- 4 Modular Enclosures
- 5 Operator System Enclosures (Stainless Steel)
- 6 Wall-Mount Enclosures (Stainless Steel)
- 7 Free-Standing & Floor-Mounted Enclosures (Stainless Steel)
- 8 Non-Metallic Enclosures
- 9 Accessories
- 10 Technical Information
- 11 Index

## 304 Stainless Steel Enviroline® Series Single-Door Enclosures For Flange-Mounted Disconnects

### Application -

Designed to house most standard type disconnects. For outdoor application a drip shield is recommended. For installation information, consult our Installation Manual at [www.saginawcontrol.com](http://www.saginawcontrol.com).

### Construction -

- 0.075" stainless steel Type 304.
- Seams continuously welded and ground smooth.
- Flange trough collar around all sides of door opening.
- Oil-resistant gasket.
- Collar studs provided for mounting optional sub-panels.
- Holes provided in body for mounting disconnect operating handle and operating mechanism.
- Stainless steel concealed hinges.
- Doors are interchangeable and easily removed by pulling hinge pin.
- 3-point latching mechanism.
- Latches are opened or closed with screwdriver (optional tamper-resistant inserts available).
- Mounting holes in back of enclosure.
- Mounting hardware, sealing washers and hole plugs included.
- Black quarter turn latches as required.
- Removable print pocket.
- Ground studs on door and body.
- Black zinc die cast coinproof/padlocking handle.

**Disconnect switch (or circuit breaker) and operating mechanism are not furnished with this enclosure.**

### Finish -

#4 brushed finish on all exterior surfaces. Optional sub-panels powder coated white.

### IS6 - Industry Standards -

NEMA Type 3R, 4, 4X, 12 & Type 13  
 UL Listed Type 3R, 4, 4X & 12  
 CSA Type 3R, 4, 4X & 12  
 IEC 60529 IP66

\*\*\*Special Instructions apply for IS3, IS4 and IS6 to maintain the environmental rating of Type 3R for these parts. See the Special Instructions on the Industry Standards page in the Technical Information Section.

## 304 STAINLESS STEEL ENVIROLINE® SERIES SINGLE-DOOR ENCLOSURES FOR FLANGE-MOUNTED DISCONNECTS

ENCLOSURE PRODUCT CODE S5						SUB-PANEL (P3)			
Catalog No.	Height (A)	Width (B)	Depth (C)	Industry Standard	List Price	Catalog No.	Panel Height (E)	Panel Width (F)	List Price
SCE-20XEL2108SSLP	20.00	21.38	8.00	IS6	909.44	SCE-20P20	17.00	17.00	35.44
SCE-24XEL2108SSLP	24.00	21.38	8.00	IS6	990.88	SCE-24P20	21.00	17.00	45.57
SCE-24XEL2508SSLP	24.00	25.38	8.00	IS6	1,077.75	SCE-24P24	21.00	21.00	53.18
SCE-24XEL2510SSLP	24.00	25.38	10.00	IS6	1,152.39	SCE-24P24	21.00	21.00	53.18
SCE-30XEL2508SSLP	30.00	25.38	8.00	IS6	1,262.54	SCE-30P24	27.00	21.00	63.29
SCE-30XEL2510SSLP	30.00	25.38	10.00	IS6	1,375.82	SCE-30P24	27.00	21.00	63.29
SCE-36XEL2508SSLP	36.00	25.38	8.00	IS6	1,448.47	SCE-36P24	33.00	21.00	75.96
SCE-36XEL3110SSLP	36.00	31.38	10.00	IS6	1,704.24	SCE-36P30	33.00	27.00	101.27
SCE-36XEL3112SSLP	36.00	31.38	12.00	IS6	1,802.42	SCE-36P30	33.00	27.00	101.27
SCE-42XEL3110SSLP	42.00	31.38	10.00	IS6	1,941.03	SCE-42P30	39.00	27.00	116.47
SCE-42XEL3112SSLP	42.00	31.38	12.00	IS6	2,049.63	SCE-42P30	39.00	27.00	116.47
SCE-42XEL3712SSLP	42.00	37.38	12.00	IS6	2,226.07	SCE-42P36	39.00	33.00	136.72
SCE-42XEL3716SSLP	42.00	37.38	16.00	IS6	2,490.77	SCE-42P36	39.00	33.00	136.72
SCE-48XEL3710SSLP	48.00	37.38	10.00	IS6	2,293.94	SCE-48P36	45.00	33.00	154.46
SCE-48XEL3712SSLP	48.00	37.38	12.00	IS6	2,422.90	SCE-48P36	45.00	33.00	154.46
SCE-48XEL3716SSLP	48.00	37.38	16.00	IS6	2,694.37	SCE-48P36	45.00	33.00	154.46
SCE-60XEL3712SSLP	60.00	37.38	12.00	IS6	3,024.20	SCE-60P36	57.00	33.00	189.89
SCE-60XEL3716SSLP	60.00	37.38	16.00	IS6	3,309.25	SCE-60P36	57.00	33.00	189.89



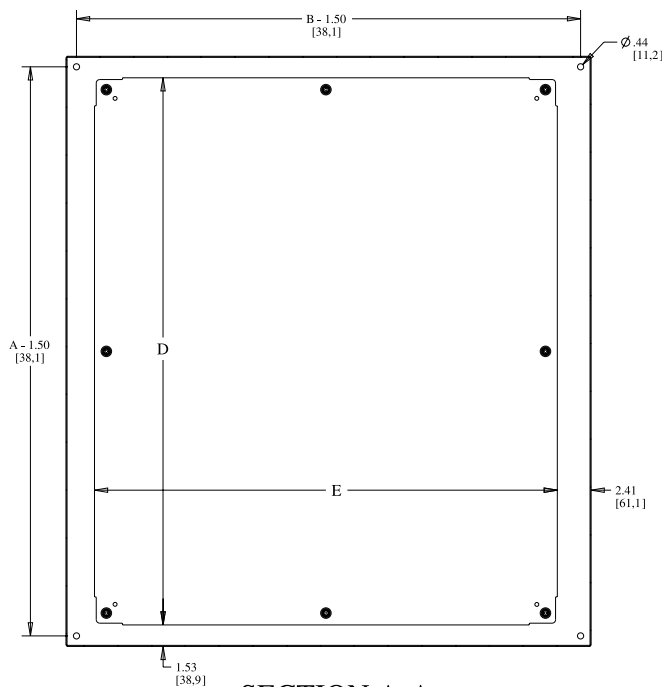
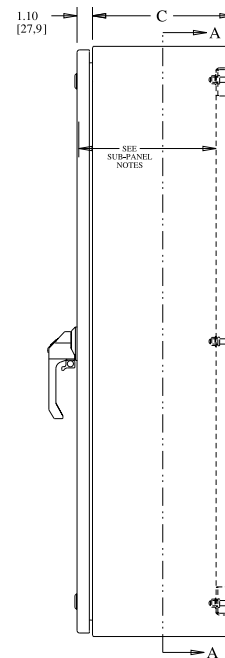
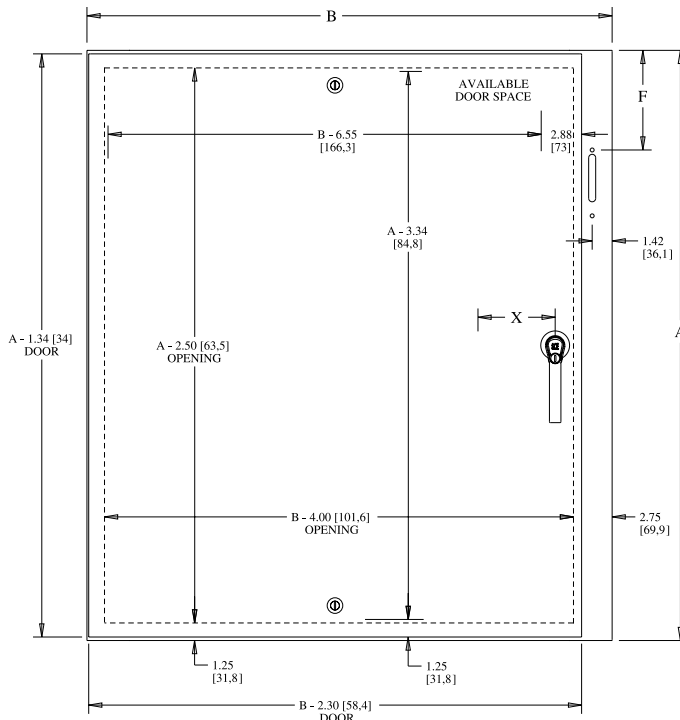
Phone (989) 799-6871  
 Fax (989) 799-4524





# STAINLESS STEEL ENVIROLINE® SERIES SINGLE-DOOR ENCLOSURES FOR FLANGE-MOUNTED DISCONNECTS

## TECHNICAL DATA



SECTION A-A

**SUB-PANEL NOTES:**

Dimensions are from the inside of the door.

C + .32 [8,1] for flat sub-panels

C - .18 [4,5] for bent sub-panels

**DISCONNECT NOTES:**

F = 4.75 [121] when C = 8.00 [203]

F = 7.09 [180] when C = 10.00 [254]

F = 11.62 [295] when C = 12.00 [304]

F = 11.62 [295] when C = 16.00 [406]

F = 18.38 [467] for SCE-60XEL3712LP4

**LATCH NOTES:**

Omit center latch top and bottom of door when door width is  $\leq 30.00$ " [762]

**HANDLE NOTES:**

On enclosures  $\leq 42.00$  [1067]

X = 5.50 [140] and use 5.00 [127]

padlocking handle with coin-proof.

On enclosures  $> 42.00$  [1067]

X = 6.75 [171] and use 7.00 [178]

padlocking handle with coin-proof.

Enclosures with a height dimension  $< 40.00$  [1016] have a 2-point door closing mechanism.

Enclosures with a height dimension of  $\geq 40.00$  [1016] have a 3-point door latching mechanism.

**CONSTRUCTION NOTES:**

Door will be 0.125 [3,1] thick material when enclosure height is  $\geq 42.00$  and door width is  $> 24.00$

## 316 Stainless Steel Enviroline® Series Single-Door Enclosures For Flange-Mounted Disconnects

### Application -

Designed to house most standard type disconnects. For outdoor application a drip shield is recommended. For installation information, consult our Installation Manual at [www.saginawcontrol.com](http://www.saginawcontrol.com).

### Construction -

- 0.075" stainless steel Type 316/316L.
- Seams continuously welded and ground smooth.
- Flange trough collar around all sides of door opening.
- Oil-resistant gasket.
- Collar studs provided for mounting optional sub-panels.
- Holes provided in body for mounting disconnect operating handle and operating mechanism.
- Stainless steel concealed hinges.
- Doors are interchangeable and easily removed by pulling hinge pin.
- 3-point latching mechanism.
- Latches are opened or closed with screwdriver (optional tamper-resistant inserts available).
- Mounting holes in back of enclosure.
- Mounting hardware, sealing washers and hole plugs included.
- Black quarter turn latches as required.
- Removable print pocket.
- Ground studs on door and body.
- Black zinc die cast coinproof/padlocking handle.

**Disconnect switch (or circuit breaker) and operating mechanism are not furnished with this enclosure.**

### Finish -

#4 brushed finish on all exterior surfaces. Optional sub-panels powder coated white.

### IS6 - Industry Standards -

NEMA Type 3R, 4, 4X, 12 & Type 13  
 UL Listed Type 3R, 4, 4X & 12  
 CSA Type 3R, 4, 4X & 12  
 IEC 60529 IP66

\*\*\*Special Instructions apply for IS3, IS4 and IS6 to maintain the environmental rating of Type 3R for these parts. See the Special Instructions on the Industry Standards page in the Technical Information Section.

## 316 STAINLESS STEEL ENVIROLINE® SERIES SINGLE-DOOR ENCLOSURES FOR FLANGE-MOUNTED DISCONNECTS

ENCLOSURE PRODUCT CODE S7						SUB-PANEL (P3)			
Catalog No.	Height (A)	Width (B)	Depth (C)	Industry Standard	List Price	Catalog No.	Panel Height (E)	Panel Width (F)	List Price
SCE-20XEL2108SS6LP	20.00	21.38	8.00	IS6	1,091.33	SCE-20P20	17.00	17.00	35.44
SCE-24XEL2108SS6LP	24.00	21.38	8.00	IS6	1,189.05	SCE-24P20	21.00	17.00	45.57
SCE-24XEL2508SS6LP	24.00	25.38	8.00	IS6	1,293.30	SCE-24P24	21.00	21.00	53.18
SCE-24XEL2510SS6LP	24.00	25.38	10.00	IS6	1,382.87	SCE-24P24	21.00	21.00	53.18
SCE-30XEL2508SS6LP	30.00	25.38	8.00	IS6	1,515.05	SCE-30P24	27.00	21.00	63.29
SCE-30XEL2510SS6LP	30.00	25.38	10.00	IS6	1,650.98	SCE-30P24	27.00	21.00	63.29
SCE-36XEL2508SS6LP	36.00	25.38	8.00	IS6	1,738.16	SCE-36P24	33.00	21.00	75.96
SCE-36XEL3110SS6LP	36.00	31.38	10.00	IS6	2,045.09	SCE-36P30	33.00	27.00	101.27
SCE-36XEL3112SS6LP	36.00	31.38	12.00	IS6	2,162.90	SCE-36P30	33.00	27.00	101.27
SCE-42XEL3110SS6LP	42.00	31.38	10.00	IS6	2,329.23	SCE-42P30	39.00	27.00	116.47
SCE-42XEL3112SS6LP	42.00	31.38	12.00	IS6	2,459.55	SCE-42P30	39.00	27.00	116.47
SCE-42XEL3712SS6LP	42.00	37.38	12.00	IS6	2,671.29	SCE-42P36	39.00	33.00	136.72
SCE-42XEL3716SS6LP	42.00	37.38	16.00	IS6	2,988.92	SCE-42P36	39.00	33.00	136.72
SCE-48XEL3710SS6LP	48.00	37.38	10.00	IS6	2,752.73	SCE-48P36	45.00	33.00	154.46
SCE-48XEL3712SS6LP	48.00	37.38	12.00	IS6	2,907.47	SCE-48P36	45.00	33.00	154.46
SCE-48XEL3716SS6LP	48.00	37.38	16.00	IS6	3,233.25	SCE-48P36	45.00	33.00	154.46
SCE-60XEL3712SS6LP	60.00	37.38	12.00	IS6	3,629.05	SCE-60P36	57.00	33.00	189.89
SCE-60XEL3716SS6LP	60.00	37.38	16.00	IS6	3,971.10	SCE-60P36	57.00	33.00	189.89

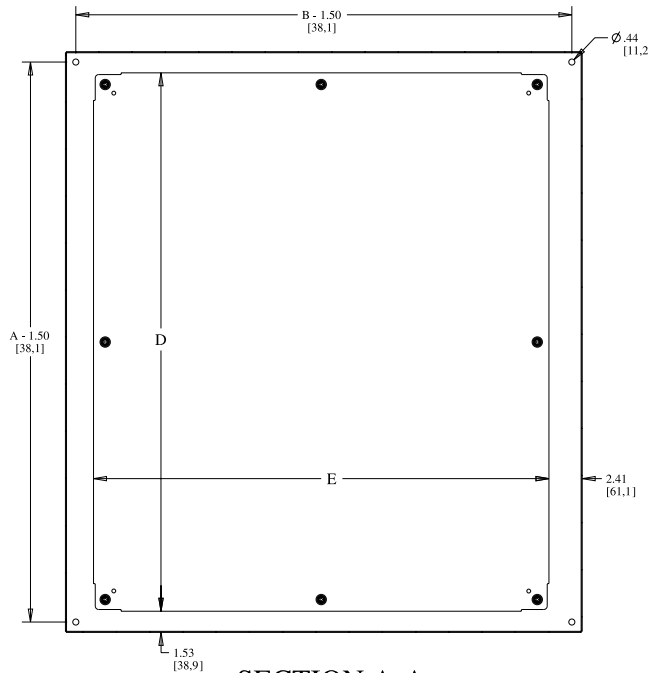
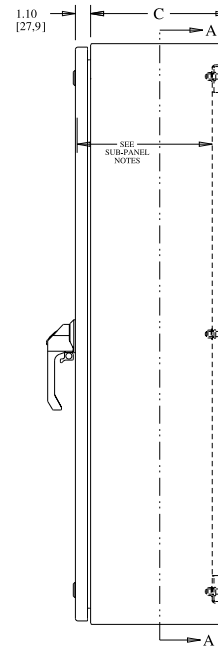
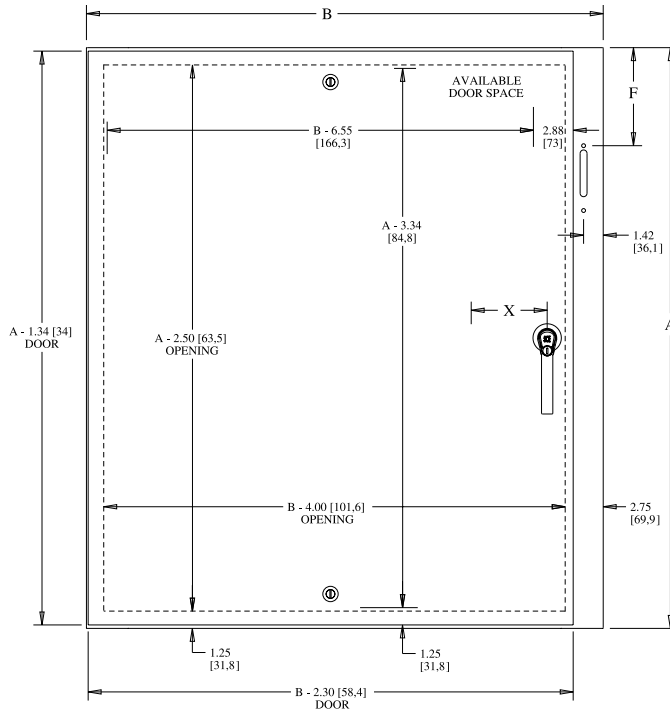


Phone (989) 799-6871  
 Fax (989) 799-4524



# STAINLESS STEEL ENVIROLINE® SERIES SINGLE-DOOR ENCLOSURES FOR FLANGE-MOUNTED DISCONNECTS

## TECHNICAL DATA



SECTION A-A

**SUB-PANEL NOTES:**  
 Dimensions are from the inside of the door.  
 C + .32 [8,1] for flat sub-panels  
 C - .18 [4,5] for bent sub-panels

**DISCONNECT NOTES:**  
 F = 4.75 [121] when C = 8.00 [203]  
 F = 7.09 [180] when C = 10.00 [254]  
 F = 11.62 [295] when C = 12.00 [304]  
 F = 11.62 [295] when C = 16.00 [406]  
 F = 18.38 [467] for SCE-60XEL3712LP4

**LATCH NOTES:**  
 Omit center latch top and bottom of door when door width is  $\leq 30.00$ " [762]

**HANDLE NOTES:**  
 On enclosures  $\leq 42.00$  [1067]  
 X = 5.50 [140] and use 5.00 [127] padlocking handle with coin-proof.  
 On enclosures  $> 42.00$  [1067]  
 X = 6.75 [171] and use 7.00 [178] padlocking handle with coin-proof.

Enclosures with a height dimension  $< 40.00$  [1016] have a 2-point door closing mechanism.

Enclosures with a height dimension of  $\geq 40.00$  [1016] have a 3-point door latching mechanism.

**CONSTRUCTION NOTES:**  
 Door will be 0.125 [3,1] thick material when enclosure height is  $\geq 42.00$  and door width is  $> 24.00$



Phone (989) 799-6871  
 Fax (989) 799-4524

## Stainless Steel Enviroline® Series Wall-Mount Sloping Top Disconnect Enclosures

### Application -

Designed to house most standard type disconnects. For installation information, consult our Installation Manual at www.saginawcontrol.com.

### Construction -

- 0.075" stainless steel Type 304.
- Seams continuously welded and ground smooth.
- Flange trough collar around all sides of door opening.
- 15 Degree Sloping Top.
- Stainless steel concealed hinges.
- Stainless steel coinproof/padlocking handle.
- 3-point latching mechanism.
- Removable print pocket on main door of disconnect enclosures.
- Oil & water resistant gasket.
- Mounting hardware, sealing washers and hole plugs included.
- Black quarter turn latches as required.
- Ground stud on door and body.

**Disconnect switch (or circuit breaker) and operating mechanism are not furnished with this enclosure.**

### Finish -

# 4 Brushed finish on all exterior surfaces. Optional sub-panels powder coated white.

### Options -

Wall-Mount Standoffs available under Mounting Options in the Accessories Section.

### IS6 - Industry Standards -

NEMA Type 3R, 4, 4X, 12 & Type 13  
 UL Listed Type 3R, 4, 4X & 12  
 CSA Type 3R, 4, 4X & 12  
 IEC 60529 IP66

\*\*\*Special Instructions apply for IS3, IS4 and IS6 to maintain the environmental rating of Type 3R for these parts. See the Special Instructions on the Industry Standards page in the Technical Information Section.

## STAINLESS STEEL ENVIROLINE® SERIES WALL-MOUNT SLOPING TOP DISCONNECT ENCLOSURES

ENCLOSURE PRODUCT CODE S8						SUB-PANEL (P3)			
Catalog No.	Height (A)	Width (B)	Depth (C)	Industry Standard	List Price	Catalog No.	Panel Height (E)	Panel Width (F)	List Price
SCE-24XEL2510SSST	24.00	25.38	10.00	IS6	1,555.73	SCE-24P24	21.00	21.00	53.18
SCE-30XEL2510SSST	30.00	25.38	10.00	IS6	1,759.14	SCE-30P24	27.00	21.00	63.29
SCE-36XEL3110SSST	36.00	31.38	10.00	IS6	1,968.03	SCE-36P30	33.00	27.00	101.27
SCE-48XEL3712SSST	48.00	37.38	12.00	IS5	3,788.29	SCE-48P36	45.00	33.00	154.46
SCE-48XEL3716SSST	48.00	37.38	16.00	IS6	3,637.40	SCE-48P36	45.00	33.00	154.46
SCE-60XEL3716SSST	60.00	37.38	16.00	IS6	4,467.49	SCE-60P36	57.00	33.00	189.89

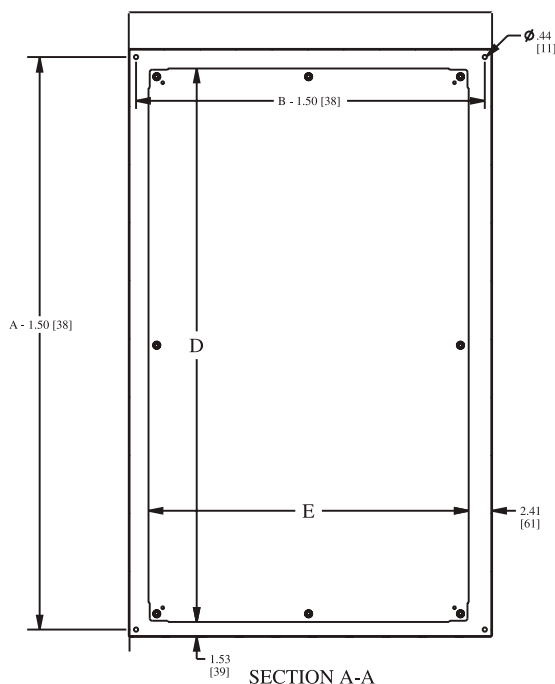
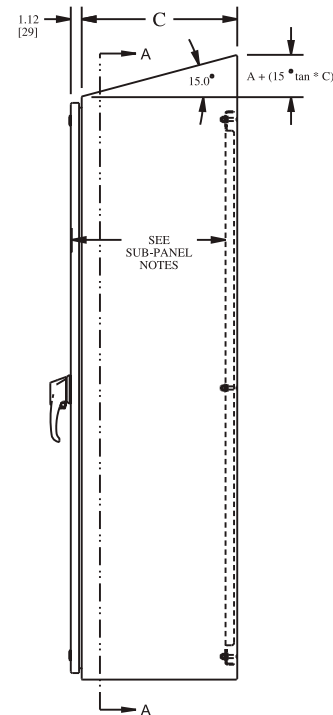
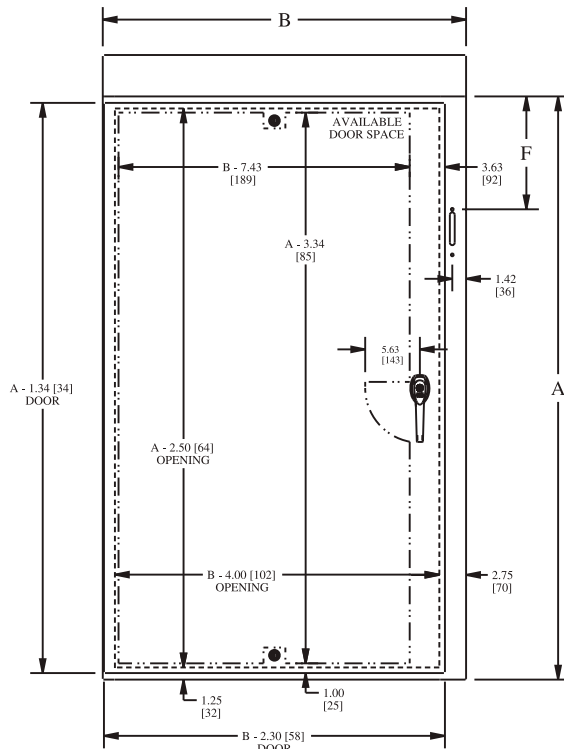


Phone (989) 799-6871  
 Fax (989) 799-4524



# STAINLESS STEEL ENVIROLINE® SERIES WALL-MOUNT SLOPING TOP DISCONNECT ENCLOSURES

## TECHNICAL DATA



**SUB-PANEL NOTES:**

Dimensions are from the inside of the door  
 C + 0.32 [8] for flat sub-panels  
 C - 0.18 [5] for bent sub-panels

**DISCONNECT NOTES:**

F = 4.75 [121] when C = 8.00 [203]  
 F = 7.09 [180] when C = 10.00 [254]  
 F = 11.62 [295] when C = 12.00 [304]  
 F = 11.62 [295] when C = 16.00 [406]

**LATCH NOTES:**

Enclosures with a height dimension < 40.00 [1016] have a 2-point door latching mechanism.  
 Enclosures with a height dimension >= 40.00 [1016] have a 3-point door latching mechanism.  
 Omit center latch top and bottom of door when door width is <= 30.00" [762]



Phone (989) 799-6871  
 Fax (989) 799-4524



## 304 & 316 Stainless Steel Clamp Fastened Enclosures For Flange-Mounted Disconnects

### Application -

Designed to house most standard type disconnects. For installation information, consult our Installation Manual at [www.saginawcontrol.com](http://www.saginawcontrol.com). For outdoor application a drip shield is recommended.

### Construction -

- 0.075" stainless steel Type 304 & 316/316L.
- Seams continuously welded and ground smooth.
- Stainless steel continuous hinges.
- Flange trough collar around all sides of door opening.
- Interior print pocket.
- Oil-resistant door gasket.
- Ground studs on door and body.
- Disconnect cutout provided on flange.
- Stainless steel door clamps.
- No door stiffeners required.
- Collar studs provided for mounting optional sub-panels.
- Welded mounting provision top and bottom of back.
- Provision for Lifting Lugs included on enclosures with Height >48" and with Depth >16". Lifting Lug assembly included with the enclosure bolt pack.

**Disconnect switch (or circuit breaker) and operating mechanism are not furnished with this enclosure.**

### Finish -

#4 brushed finish on all exterior surfaces. Optional sub-panels powder coated white.

### IS6 - Industry Standards -

NEMA Type 3R, 4, 4X, 12 & Type 13  
 UL Listed Type 3R, 4, 4X & 12  
 CSA Type 3R, 4, 4X & 12  
 IEC 60529 IP66

\*\*\*Special Instructions apply for IS3, IS4 and IS6 to maintain the environmental rating of Type 3R for these parts. See the Special Instructions on the Industry Standards page in the Technical Information Section.

## 304 STAINLESS STEEL CLAMP FASTENED ENCLOSURES FOR FLANGE-MOUNTED DISCONNECTS

ENCLOSURE PRODUCT CODE S3						SUB-PANEL (P3)			
Catalog No.	Height (A)	Width (B)	Depth (C)	Industry Standard	List Price	Catalog No.	Panel Height (E)	Panel Width (F)	List Price
SCE-24HS2108SSLP	24.00	21.38	8.00	IS6	1,115.76	SCE-24P20	21.00	17.00	45.57
SCE-24HS2508SSLP	24.00	25.38	8.00	IS6	1,227.06	SCE-24P24	21.00	21.00	53.18
SCE-30HS2508SSLP	30.00	25.38	8.00	IS6	1,392.66	SCE-30P24	27.00	21.00	63.29
SCE-36HS2508SSLP	36.00	25.38	8.00	IS6	1,558.25	SCE-36P24	33.00	21.00	75.96
SCE-36HS3108SSLP	36.00	31.38	8.00	IS6	1,786.29	SCE-36P30	33.00	27.00	101.27
SCE-42HS3112SSLP	42.00	31.38	12.00	IS6	2,236.93	SCE-42P30	39.00	27.00	116.47
SCE-42HS3712SSLP	42.00	37.38	12.00	IS6	2,513.83	SCE-42P36	39.00	33.00	136.72
SCE-48HS3712SSLP	48.00	37.38	12.00	IS6	2,763.60	SCE-48P36	45.00	33.00	154.46
SCE-60HS3712SSLP	60.00	37.38	12.00	IS6	3,265.81	SCE-60P36	57.00	33.00	189.89

## 316 STAINLESS STEEL CLAMP FASTENED ENCLOSURES FOR FLANGE-MOUNTED DISCONNECTS

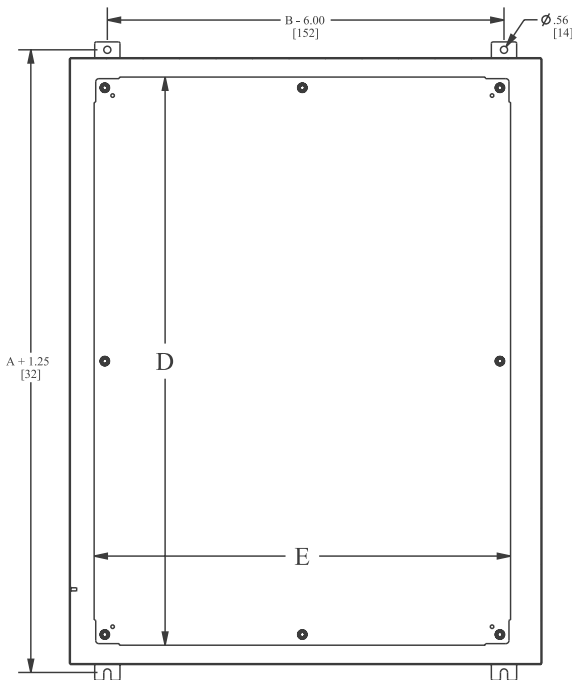
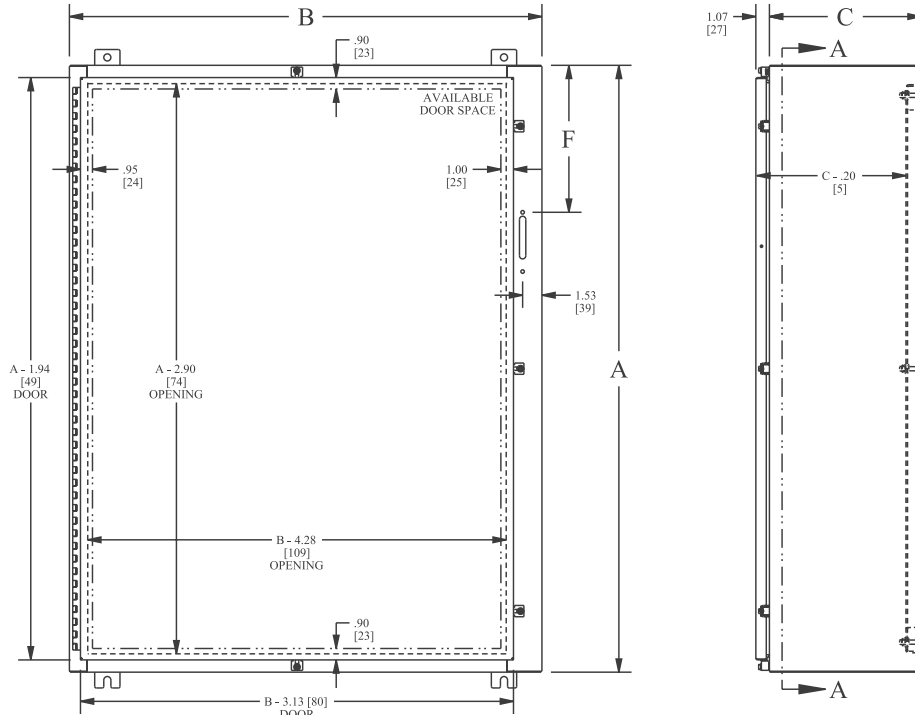
ENCLOSURE PRODUCT CODE S7						SUB-PANEL (P3)			
Catalog No.	Height (A)	Width (B)	Depth (C)	Industry Standard	List Price	Catalog No.	Panel Height (E)	Panel Width (F)	List Price
SCE-24HS2108SS6LP	24.00	21.38	8.00	IS6	1,338.91	SCE-24P20	21.00	17.00	45.57
SCE-24HS2508SS6LP	24.00	25.38	8.00	IS6	1,472.47	SCE-24P24	21.00	21.00	53.18
SCE-30HS2508SS6LP	30.00	25.38	8.00	IS6	1,671.19	SCE-30P24	27.00	21.00	63.29
SCE-36HS2508SS6LP	36.00	25.38	8.00	IS6	1,869.90	SCE-36P24	33.00	21.00	75.96
SCE-36HS3108SS6LP	36.00	31.38	8.00	IS6	2,143.55	SCE-36P30	33.00	27.00	101.27
SCE-42HS3112SS6LP	42.00	31.38	12.00	IS6	2,684.32	SCE-42P30	39.00	27.00	116.47
SCE-42HS3712SS6LP	42.00	37.38	12.00	IS6	3,016.60	SCE-42P36	39.00	33.00	136.72
SCE-48HS3712SS6LP	48.00	37.38	12.00	IS6	3,316.32	SCE-48P36	45.00	33.00	154.46
SCE-60HS3712SS6LP	60.00	37.38	12.00	IS6	3,918.98	SCE-60P36	57.00	33.00	189.89



Phone (989) 799-6871  
 Fax (989) 799-4524



# STAINLESS STEEL CLAMP FASTENED ENCLOSURES FOR FLANGE-MOUNTED DISCONNECTS TECHNICAL DATA



SECTION A-A

DISCONNECT NOTES:  
 F = 8.63 [219] when C = 8.00 [203]  
 F = 11.63 [295] when C = 12.00 [304]

CLAMPING NOTES:  
 Enclosures < 27.00 [686] in height require two clamps on door.  
 Enclosures >= 27.00 [686] in height require three clamps on door.  
 Omit center clamp top and bottom of door when door width is <= 30.00 [762]



Phone (989) 799-6871  
 Fax (989) 799-4524

# NOTES

- 1 Operator System Enclosures
- 2 Wall-Mount Enclosures
- 3 Free-Standing & Floor-Mounted Enclosures
- 4 Modular Enclosures
- 5 Operator System Enclosures (Stainless Steel)
- 6 Wall-Mount Enclosures (Stainless Steel)
- 7 Free-Standing & Floor-Mounted Enclosures (Stainless Steel)
- 8 Non-Metallic Enclosures
- 9 Accessories
- 10 Technical Information
- 11 Index

Phone (989) 799-6871  
 Fax (989) 799-4524



# Waste Water Treatment



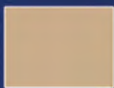
# Municipality



SCE-09 GRAY  
Semi-Gloss



SCE-05 WHITE  
Full Gloss



RAL 1015  
Beige  
Full Gloss



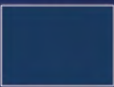
RAL 1018  
Yellow  
Full Gloss



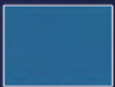
RAL 2004  
Orange  
Full Gloss



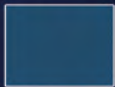
RAL 3000  
Red  
Full Gloss



RAL 5010  
Blue  
Full Gloss



RAL 5015  
Blue  
Full Gloss



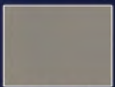
RAL 5019  
Blue  
Full Gloss



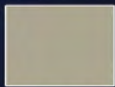
RAL 5024  
Blue  
Full Gloss



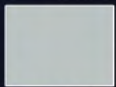
RAL 8023  
Orange  
Full Gloss



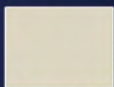
RAL 7030  
Gray  
Full Gloss



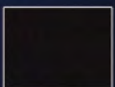
RAL 7032  
Gray  
Full Gloss



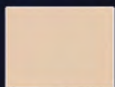
RAL 7035  
Gray  
Full Gloss



RAL 9002  
Gray  
Full Gloss



RAL 9011  
Black  
Sand Texture



RAL 9010  
White  
Full Gloss

Note: Colors are close representations with standard monitor settings and are not intended for match. Color charts may also vary by manufacturer.

Semi-Gloss = 60 to 70 Gloss Level acc. to ASTM 523 / 60° angle  
Full Gloss = 80 to 90 Gloss Level acc. to ASTM 523 / 60° angle

Distribuidor Autorizado - Mexico

Tel. 01(921)1634-977

info@siicomsa.com